

8. Sunshade

A: REMOVAL

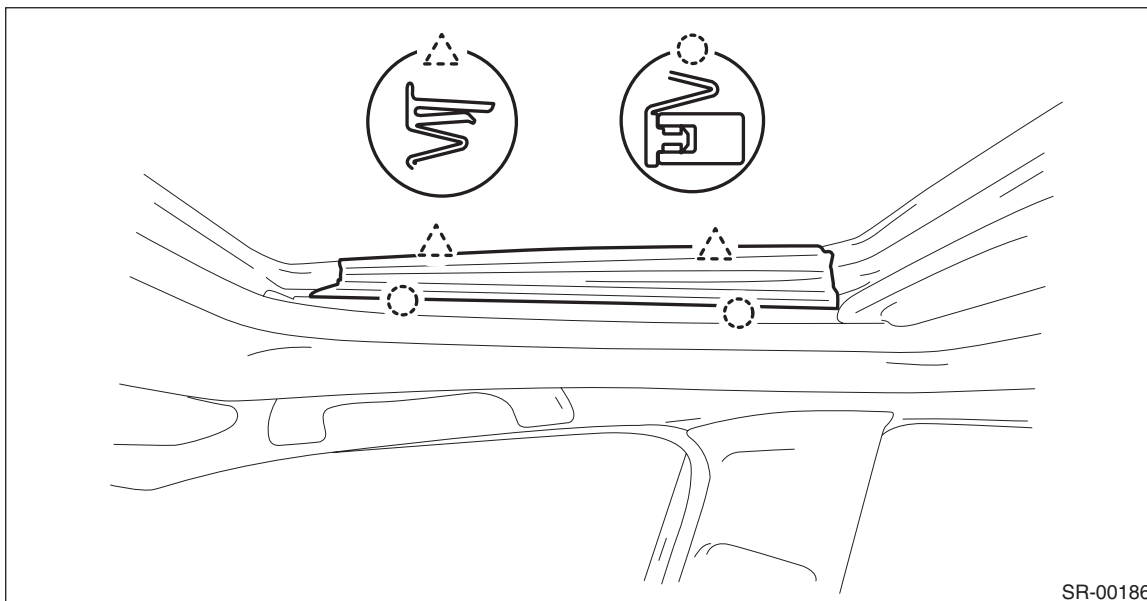
CAUTION:

When removing the clip, use great care not to damage the roof trim.

1) Remove the glass lid.

(1) Completely close the glass lid, and then open the sunshade.

(2) Disconnect the claws and then remove the lid cover.

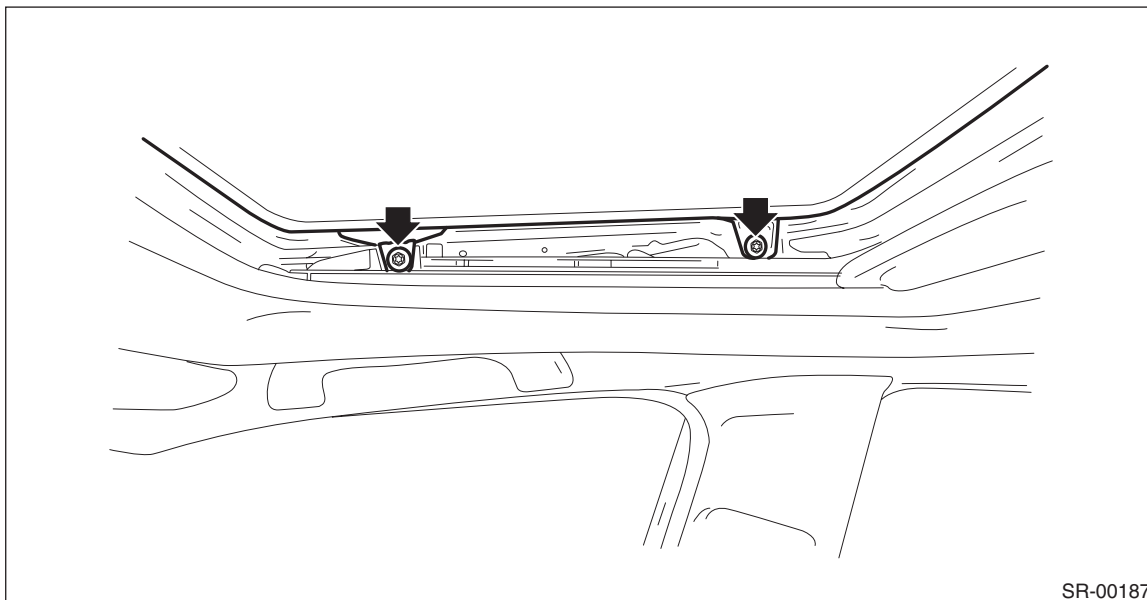


SR-00186

(3) Remove the bolts, then remove the glass lid.

CAUTION:

Be careful not to damage the glass lid.



SR-00187

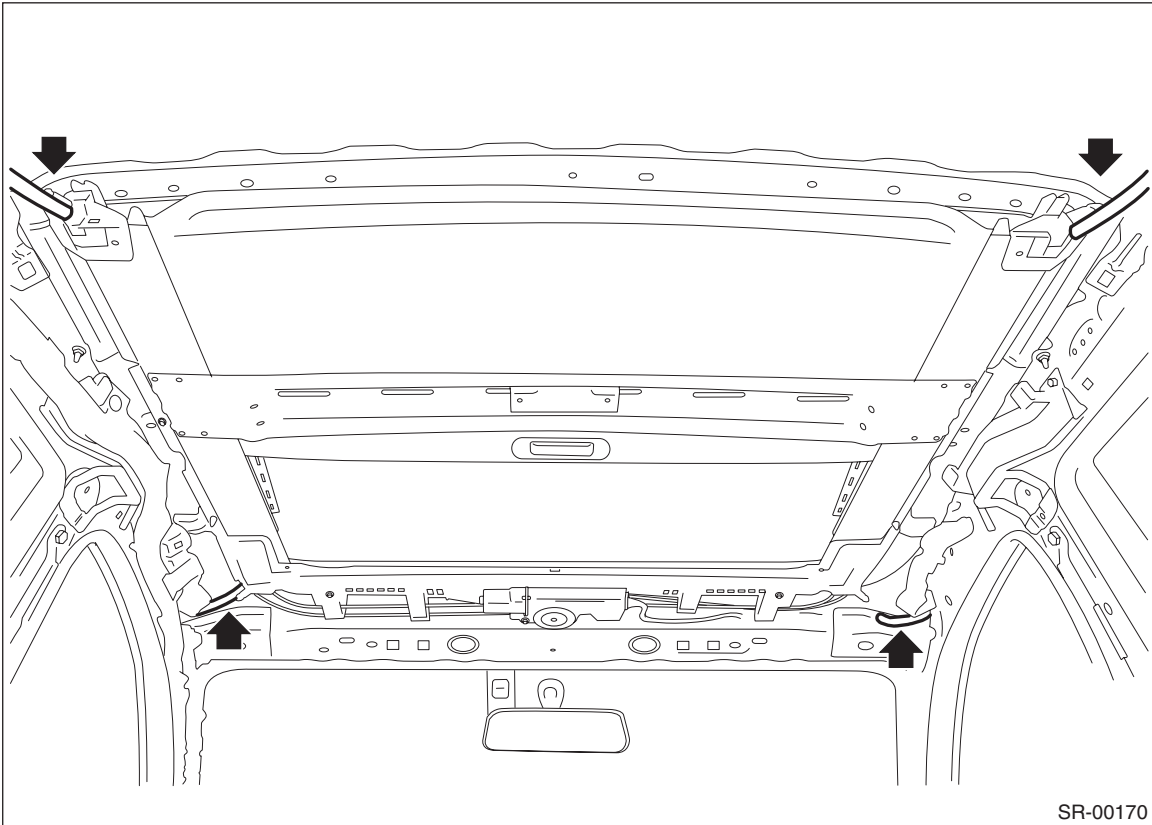
2) Remove the roof trim. <Ref. to EI-134, REMOVAL, Roof Trim.>

3) Disconnect the sunroof motor connector.

Sunshade

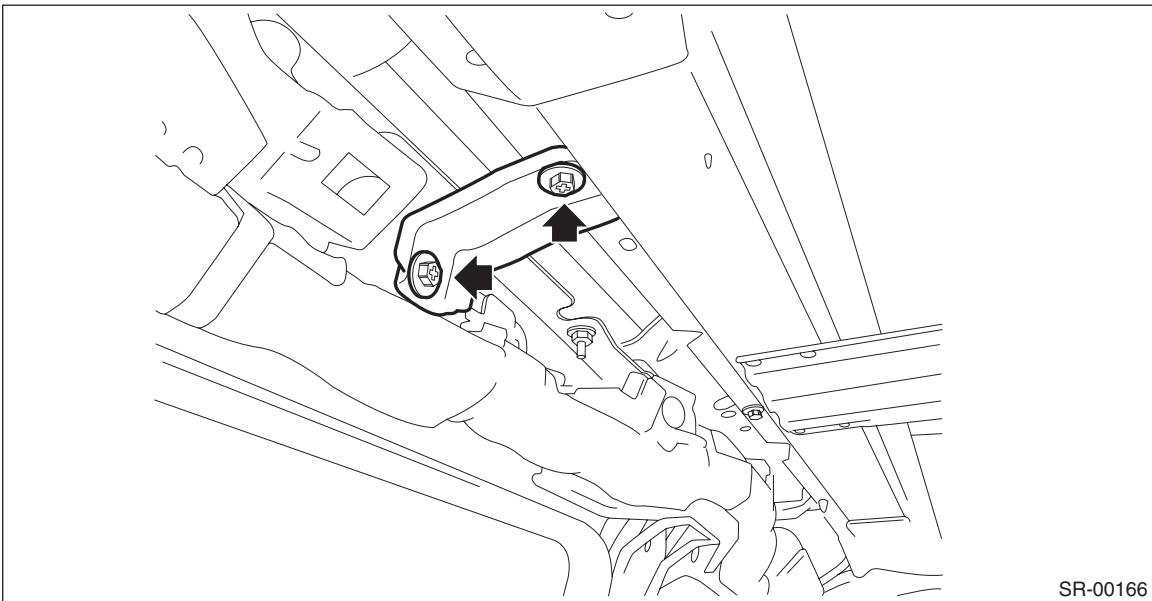
SUNROOF/T-TOP/CONVERTIBLE TOP (SUNROOF)

- 4) Remove the frame assembly.
 - (1) Remove the drain tube.



SR-00170

- (2) Remove the bolts and then remove the sunroof bracket.

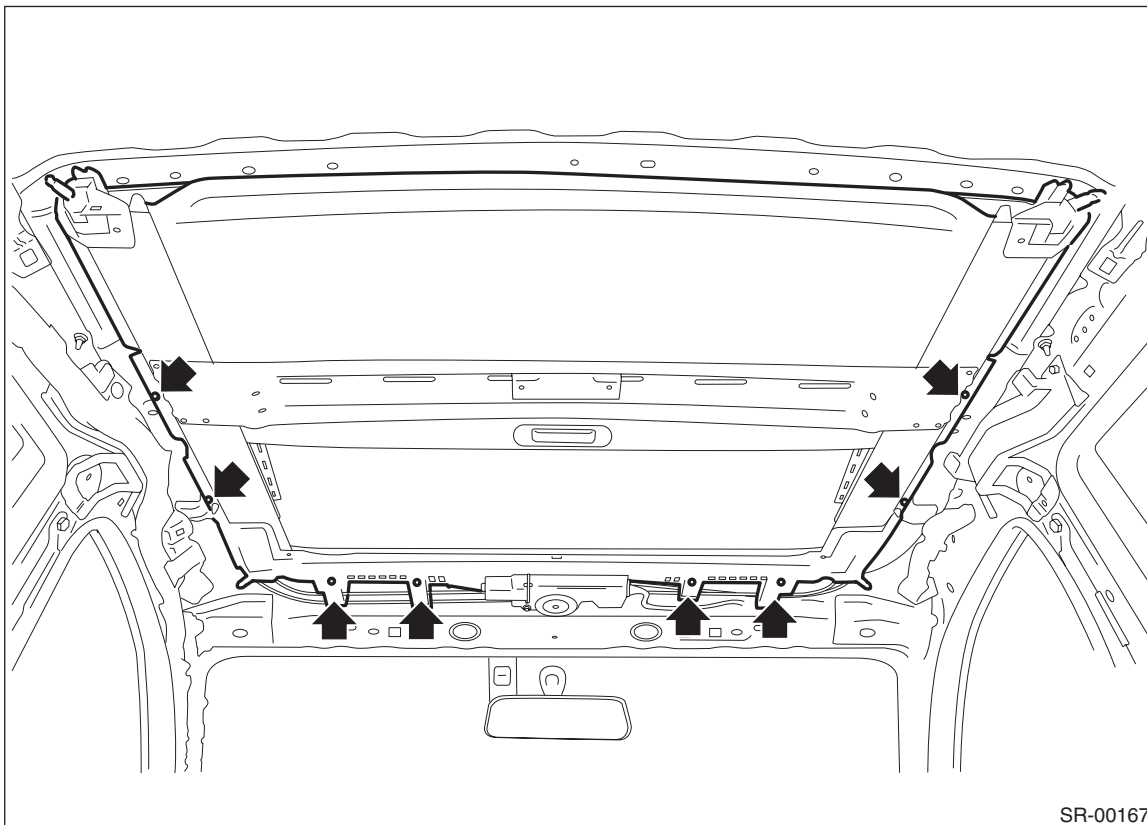


SR-00166

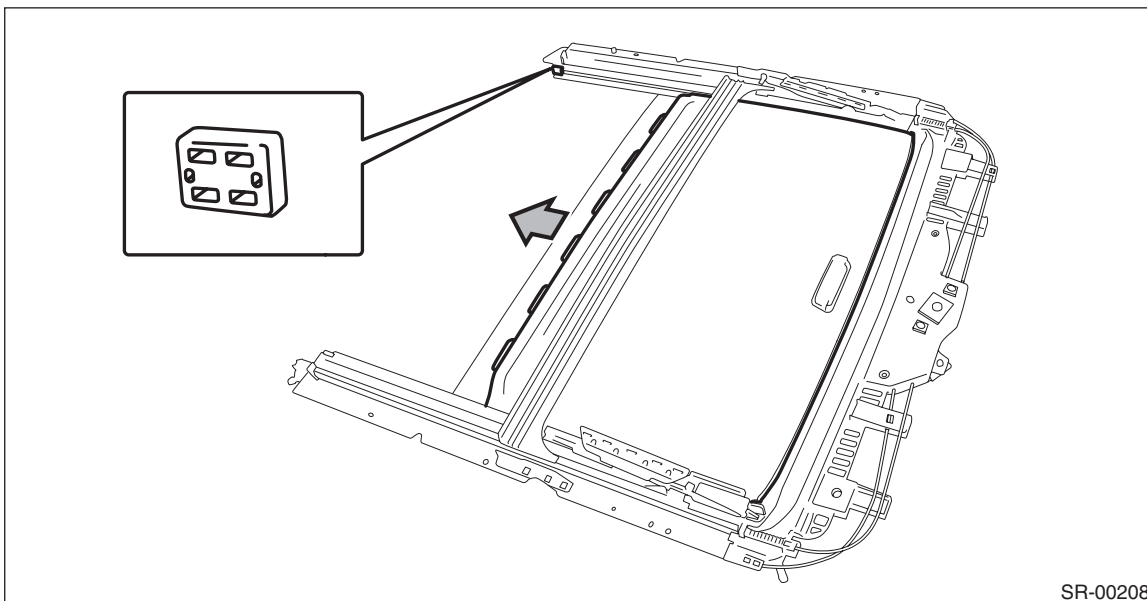
Sunshade

SUNROOF/T-TOP/CONVERTIBLE TOP (SUNROOF)

(3) Remove the bolts, then remove the frame assembly.



5) Remove the stopper rubber and pull out the sunshade from sunroof frame.



B: INSTALLATION

Install each part in the reverse order of removal.

Tightening torque:

Refer to "COMPONENT" of "General Description". <Ref. to SR-2, COMPONENT, General Description.>

Sunshade

SUNROOF/T-TOP/CONVERTIBLE TOP (SUNROOF)

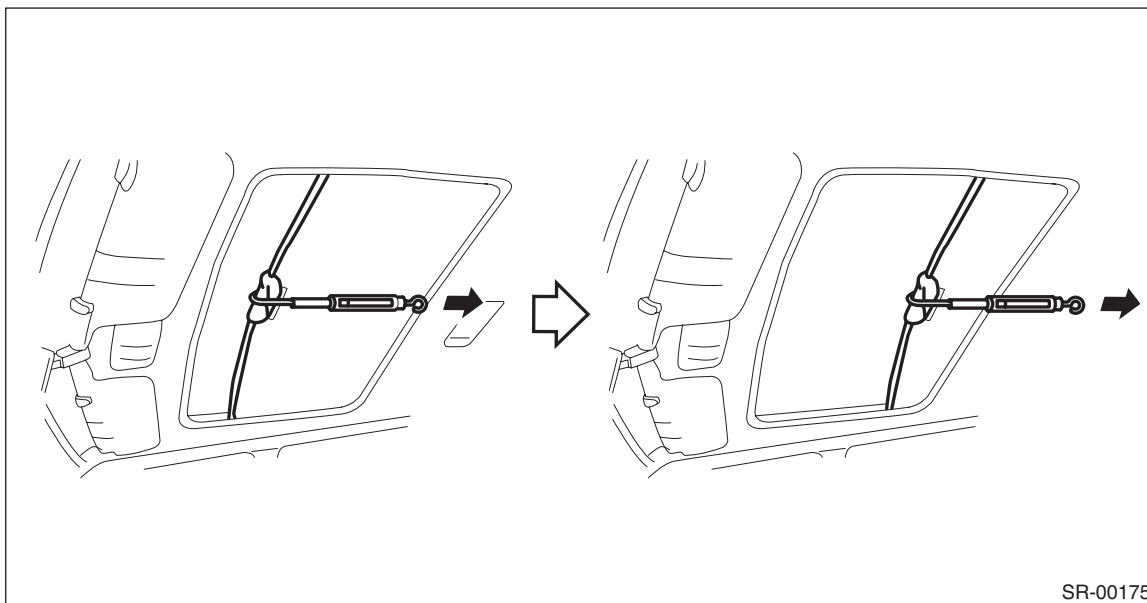
C: INSPECTION

1. CHECK FOR MOVING LOAD OF SUNSHADE

- 1) Attach a spring scale to sunshade edge using a cloth.
- 2) Pull the spring scale to check the moving load of the sunshade.

Moving load of sunshade:

14 ± 6 N (1.43 kgf, 3.1 lbf \pm 0.61 kgf, 1.3 lbf)



NOTE:

Moving load is larger at the beginning of pulling a spring scale, so take a spring scale reading while sunshade sliding smoothly.

- 3) If the inspection result exceeds the standard value, check if the installation to sunshade or frame assembly is sufficient, and replace if necessary.

EXTERIOR/INTERIOR TRIM



	Page
1. General Description	2
2. Front Grille	26
3. Cowl Panel	30
4. Front Under Cover	33
5. Floor Under Protector	34
6. Fuel Tank Protector	35
7. Mud Guard	36
8. Front Bumper	37
9. Rear Bumper	48
10. Side Garnish	53
11. Roof Molding	55
12. Roof Rail	58
13. Door Trim	59
14. Instrument Panel Lower Cover	63
15. Glove Box	65
16. Center Console	68
17. Console Box	72
18. Instrument Panel Assembly	75
19. Lower Inner Trim	97
20. Upper Inner Trim	103
21. Rear Quarter Trim	111
22. Rear Shelf Trim	123
23. Trunk Room Trim	130
24. Sun Visor	132
25. Assist Grip	133
26. Roof Trim	134
27. Rear Gate Trim	166
28. Floor Mat	168
29. Trunk Lid Garnish	170
30. Rear Gate Garnish	171
31. Heat Shield Cover	174
32. Ornament	175