

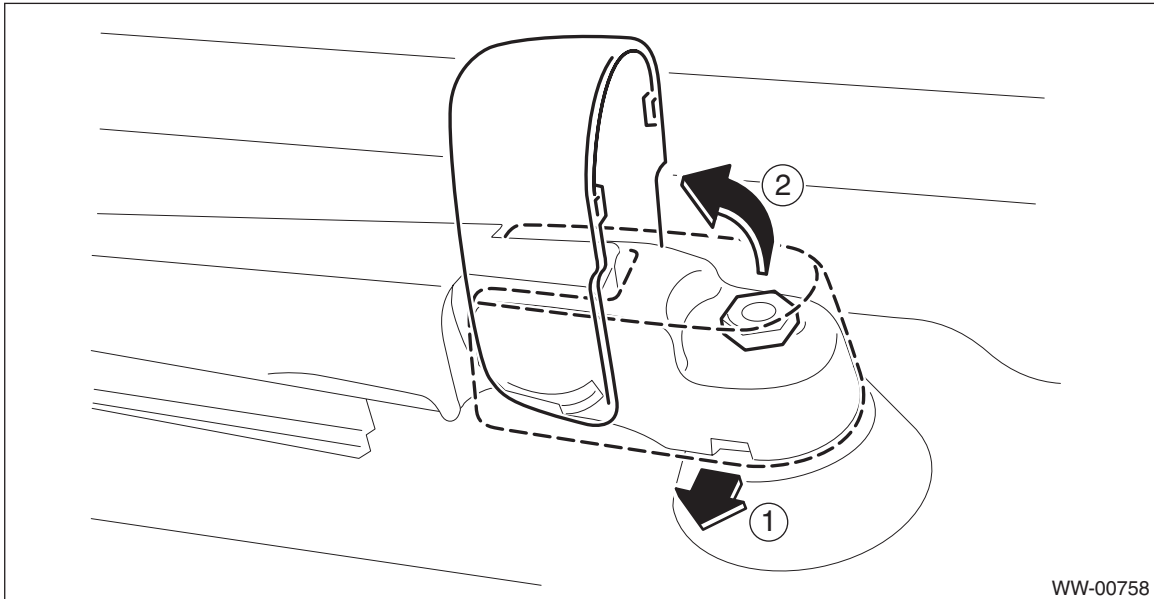
Rear Wiper Arm

WIPER AND WASHER SYSTEMS

9. Rear Wiper Arm

A: REMOVAL

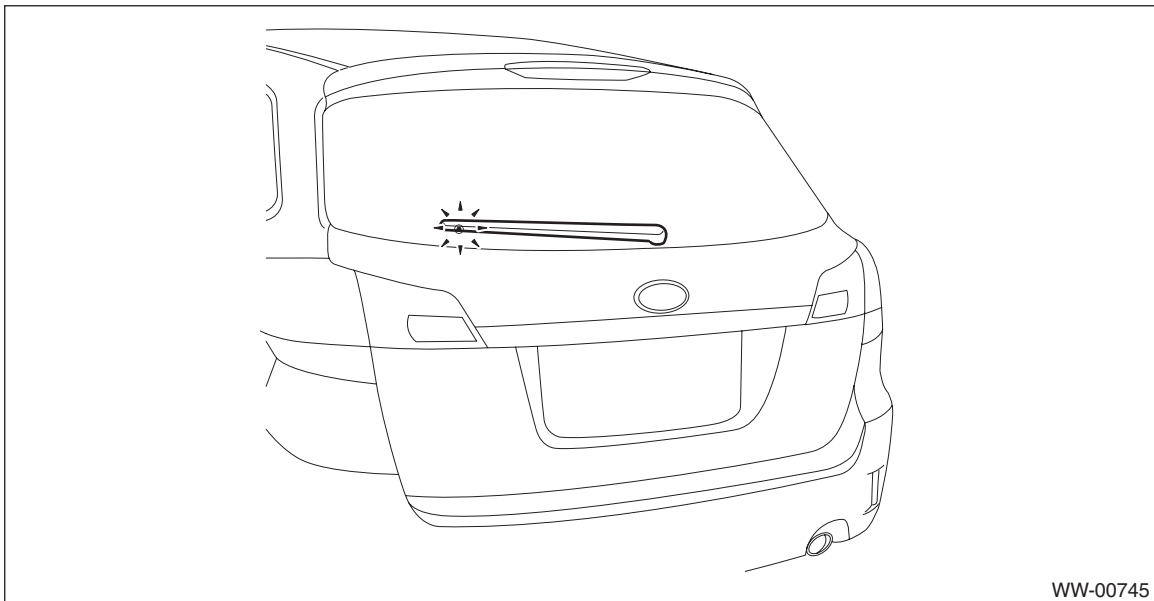
- 1) Pull up the wiper arm cover.
- 2) Remove the nut and remove the wiper arm.



WW-00758

B: INSTALLATION

- 1) Install in the reverse order of removal.
- 2) Operate the rear wiper once.
- 3) Align the blade with the marking on the glass.



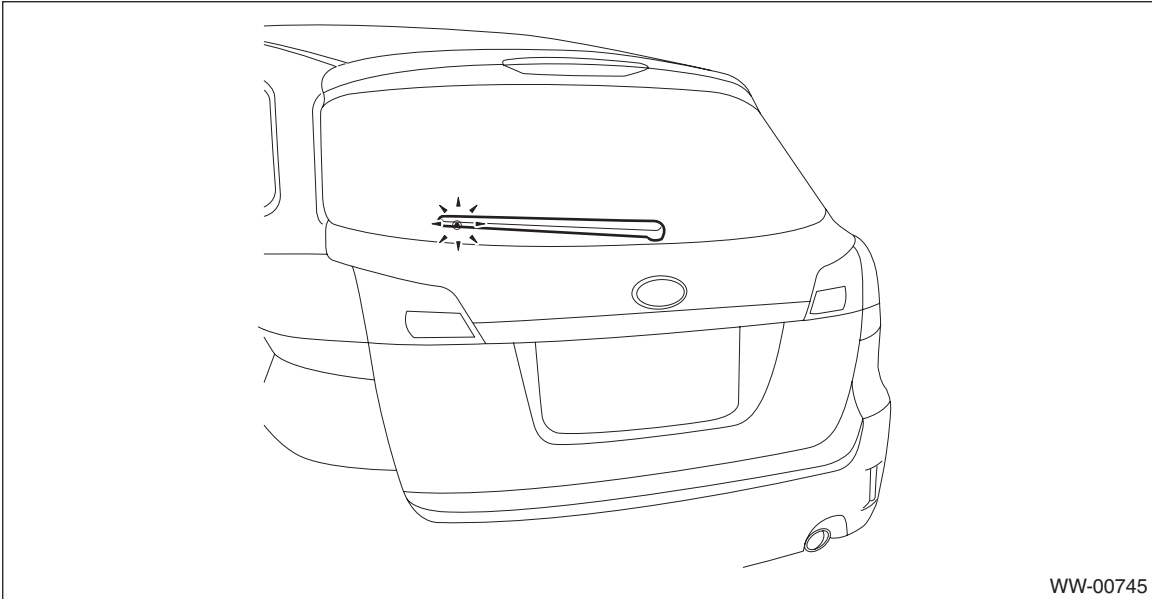
WW-00745

Tightening torque:

Refer to "COMPONENT" of "General Description". <Ref. to WW-4, REAR WIPER, COMPONENT, General Description.>

C: ADJUSTMENT

- 1) Operate the rear wiper once.
- 2) Align the blade with the marking on the glass.



WW-00745