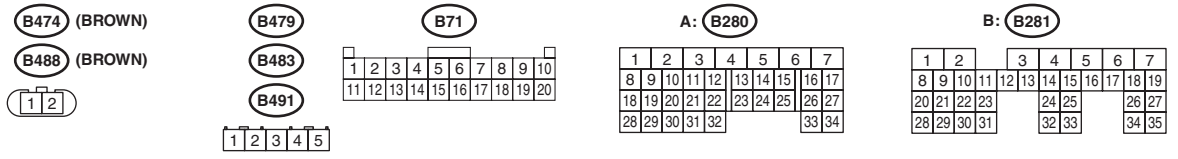
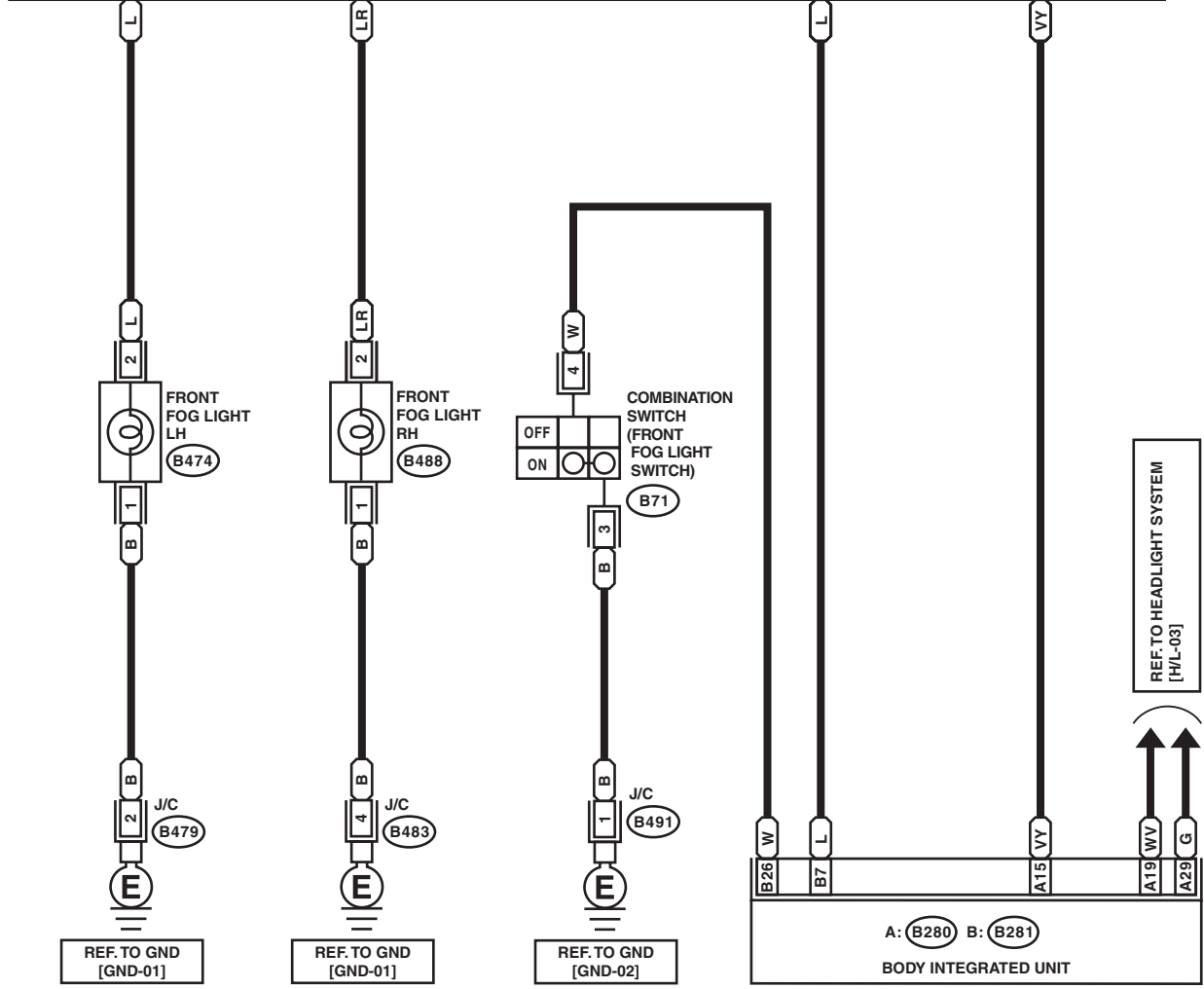
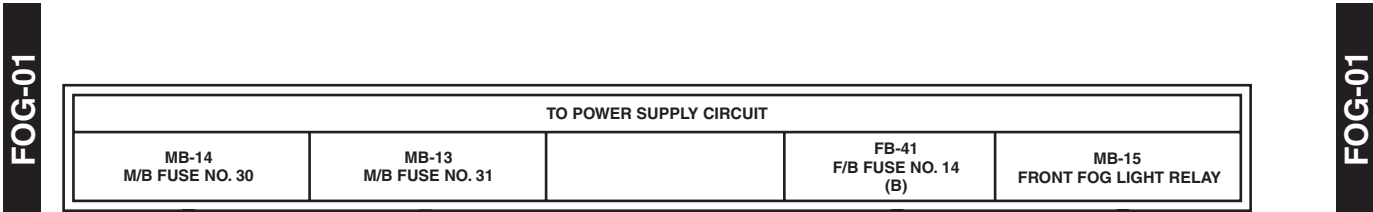


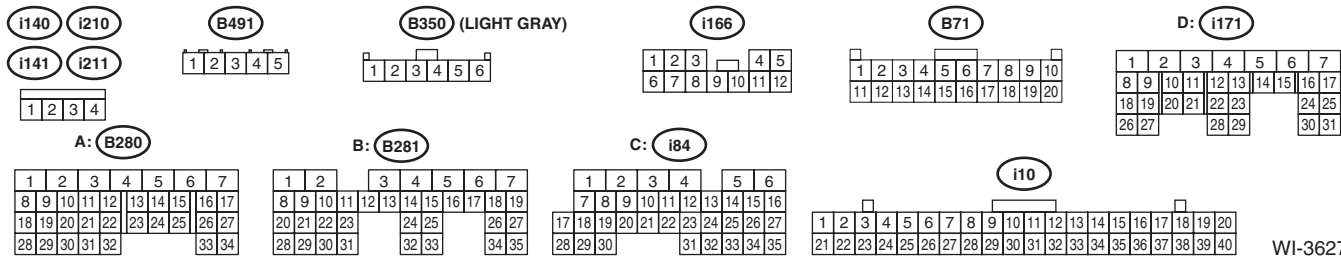
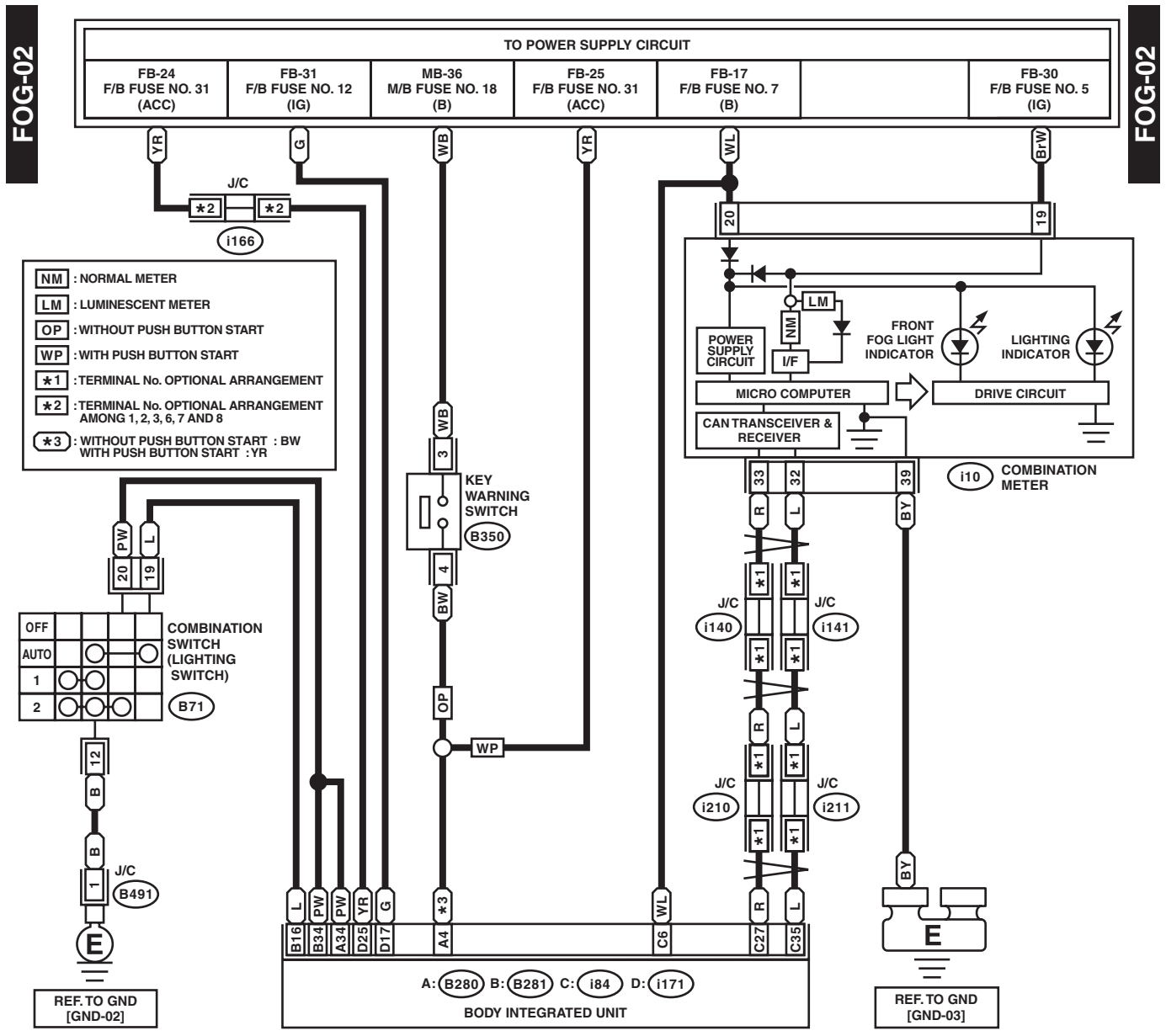
## 21. Front Fog Light System

### A: WIRING DIAGRAM



# Front Fog Light System

## WIRING SYSTEM



WI-36272