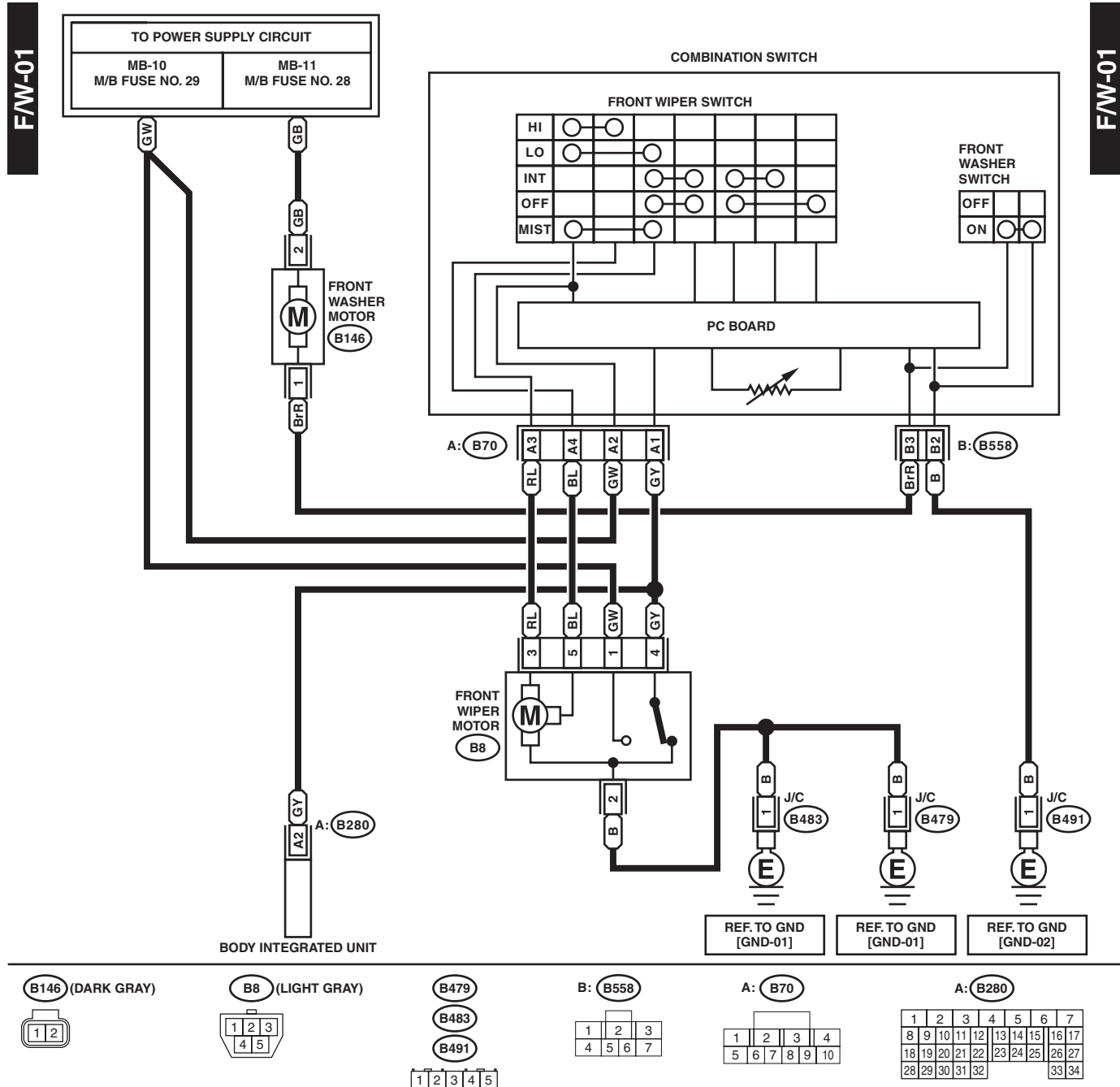


## 22. Front Wiper and Washer System

### A: WIRING DIAGRAM

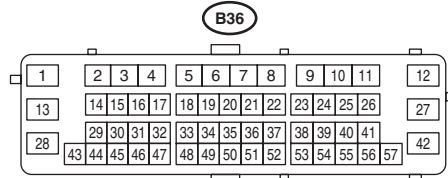
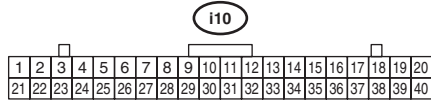
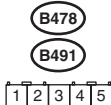
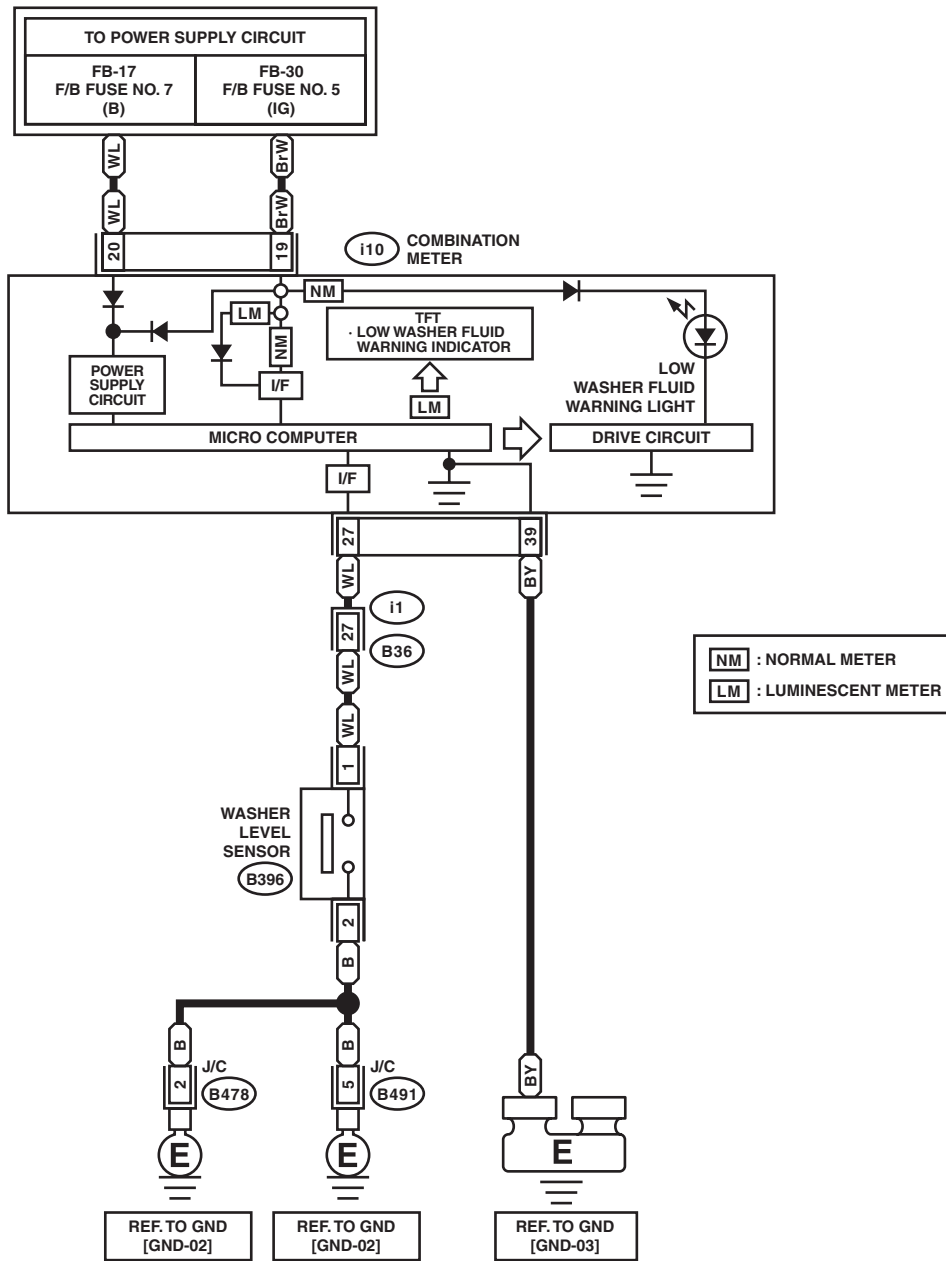


# Front Wiper and Washer System

WIRING SYSTEM

F/W-02

F/W-02



WI-36274