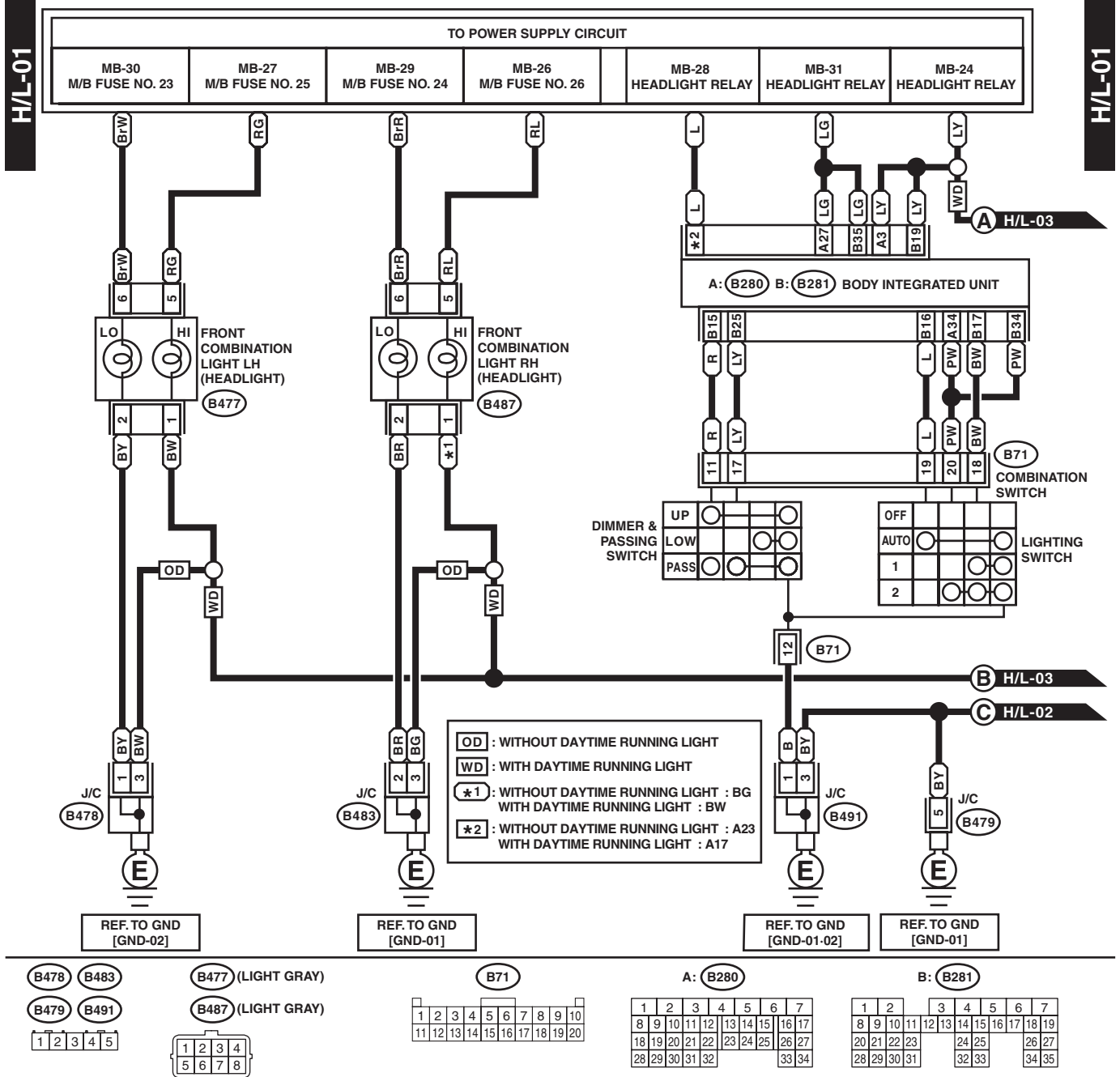


Headlight System

WIRING SYSTEM

24. Headlight System

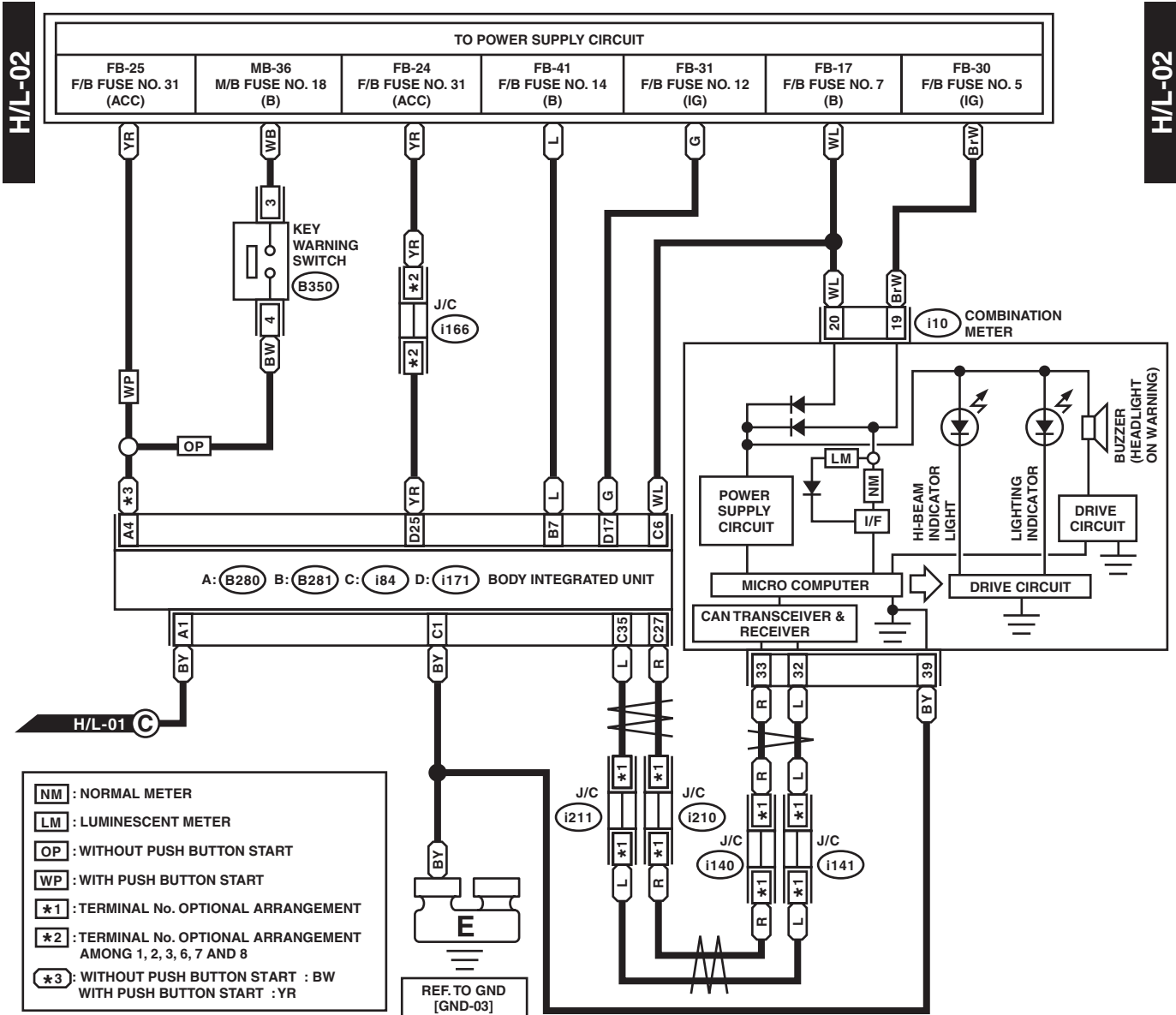
A: WIRING DIAGRAM



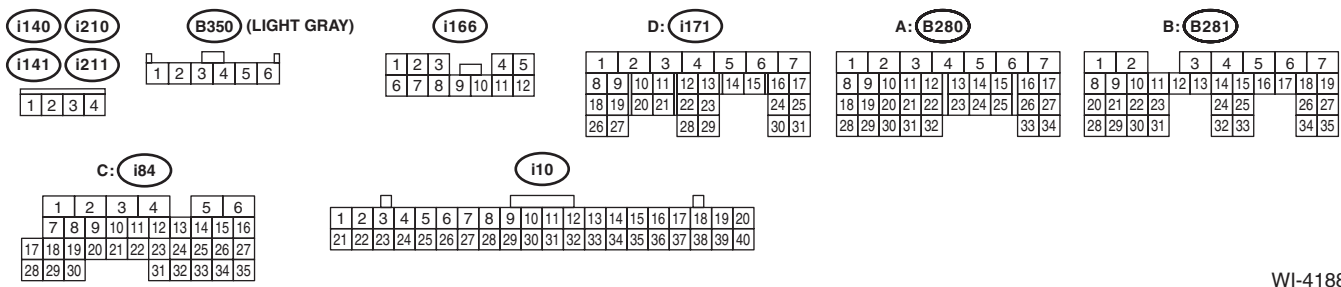
WI-36276

Headlight System

WIRING SYSTEM



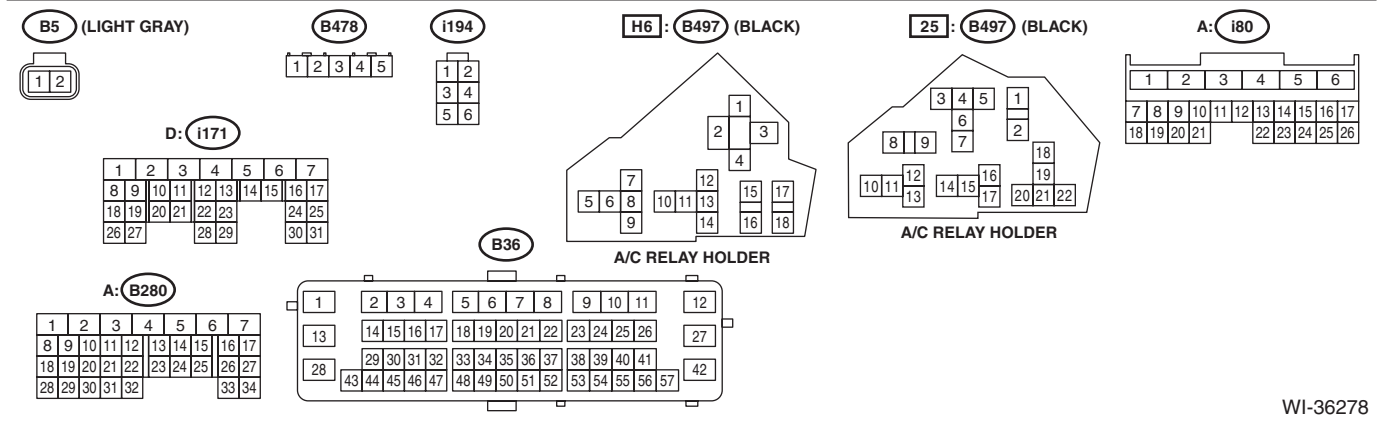
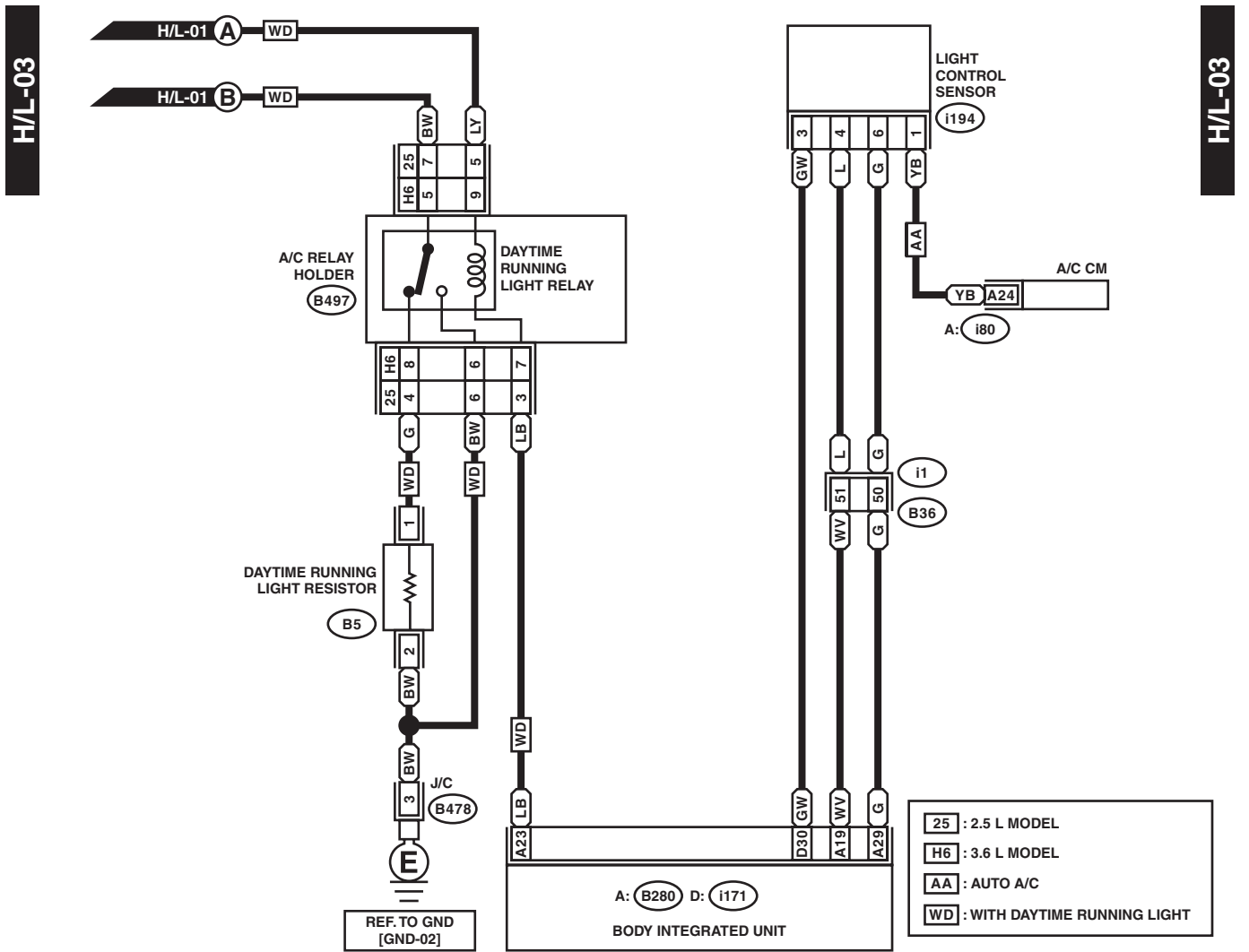
- NM** : NORMAL METER
- LM** : LUMINESCENT METER
- OP** : WITHOUT PUSH BUTTON START
- WP** : WITH PUSH BUTTON START
- *1** : TERMINAL No. OPTIONAL ARRANGEMENT
- *2** : TERMINAL No. OPTIONAL ARRANGEMENT AMONG 1, 2, 3, 6, 7 AND 8
- *3** : WITHOUT PUSH BUTTON START : BW
WITH PUSH BUTTON START : YR



WI-41889

Headlight System

WIRING SYSTEM



WI-36278