

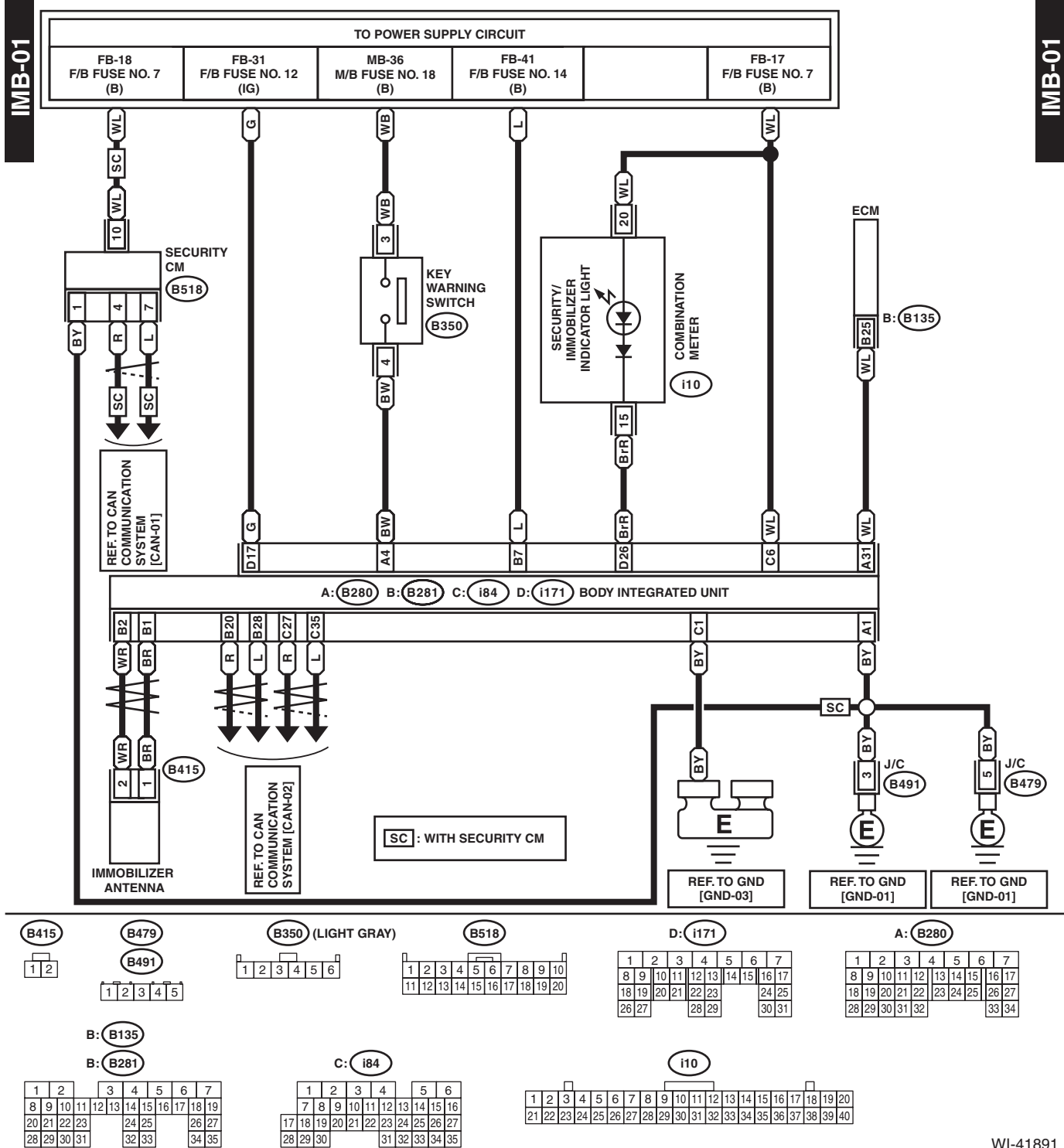
Immobilizer System

WIRING SYSTEM

26. Immobilizer System

A: WIRING DIAGRAM

1. WITHOUT PUSH BUTTON START

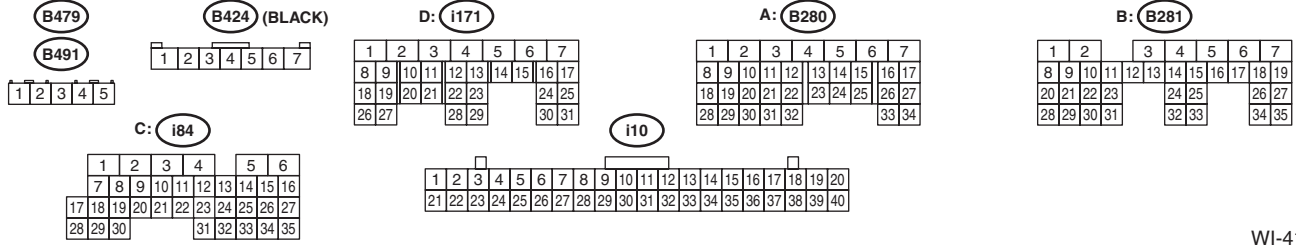
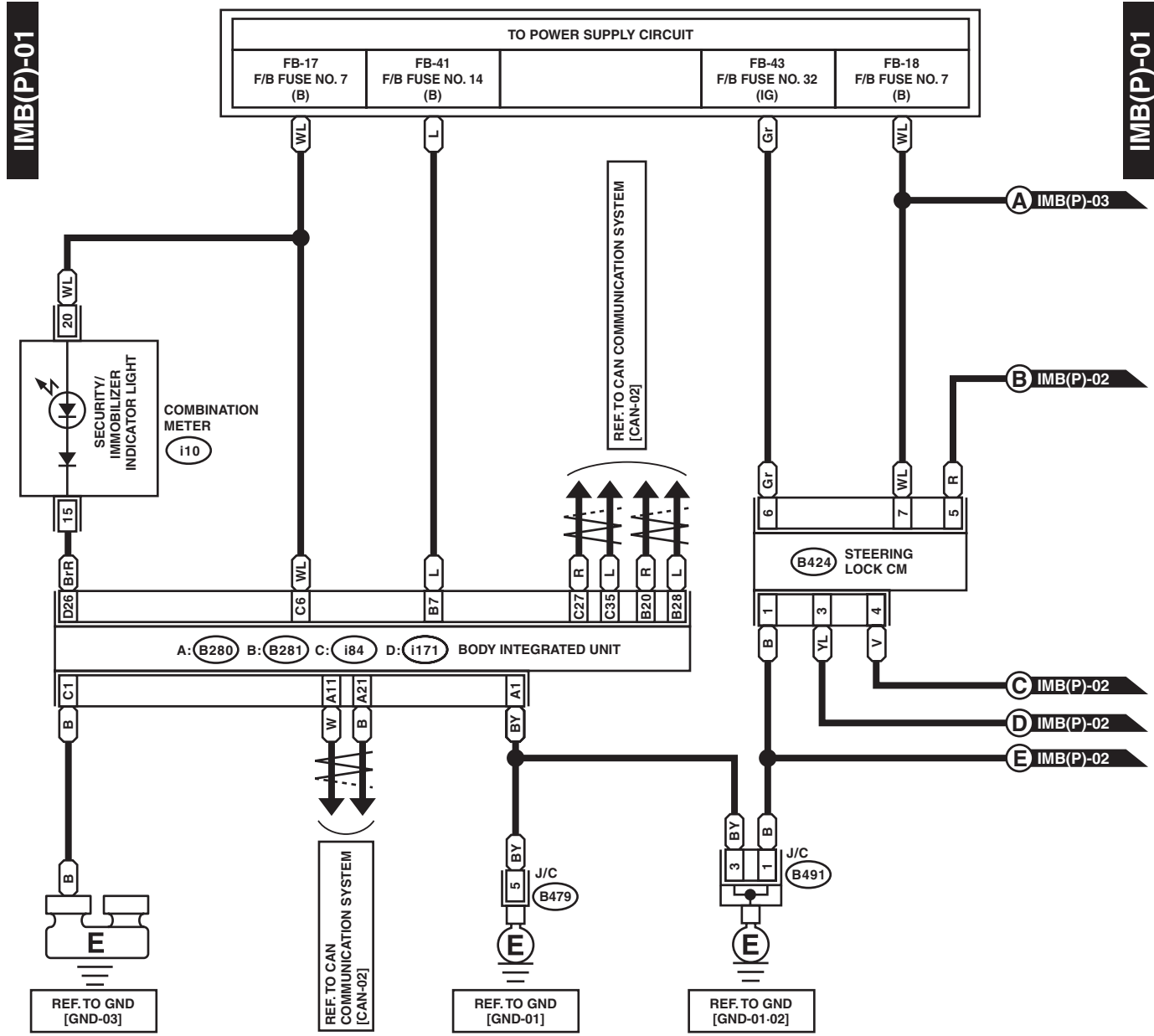


WI-41891

Immobilizer System

WIRING SYSTEM

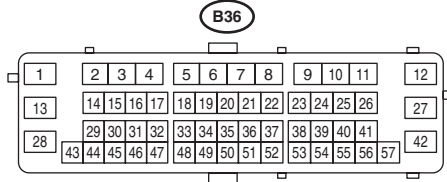
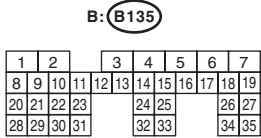
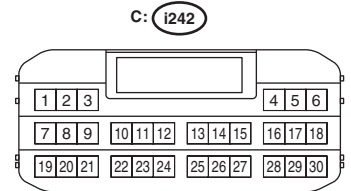
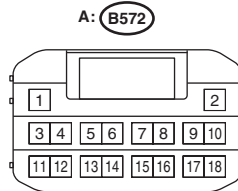
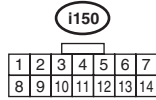
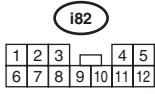
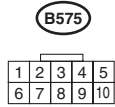
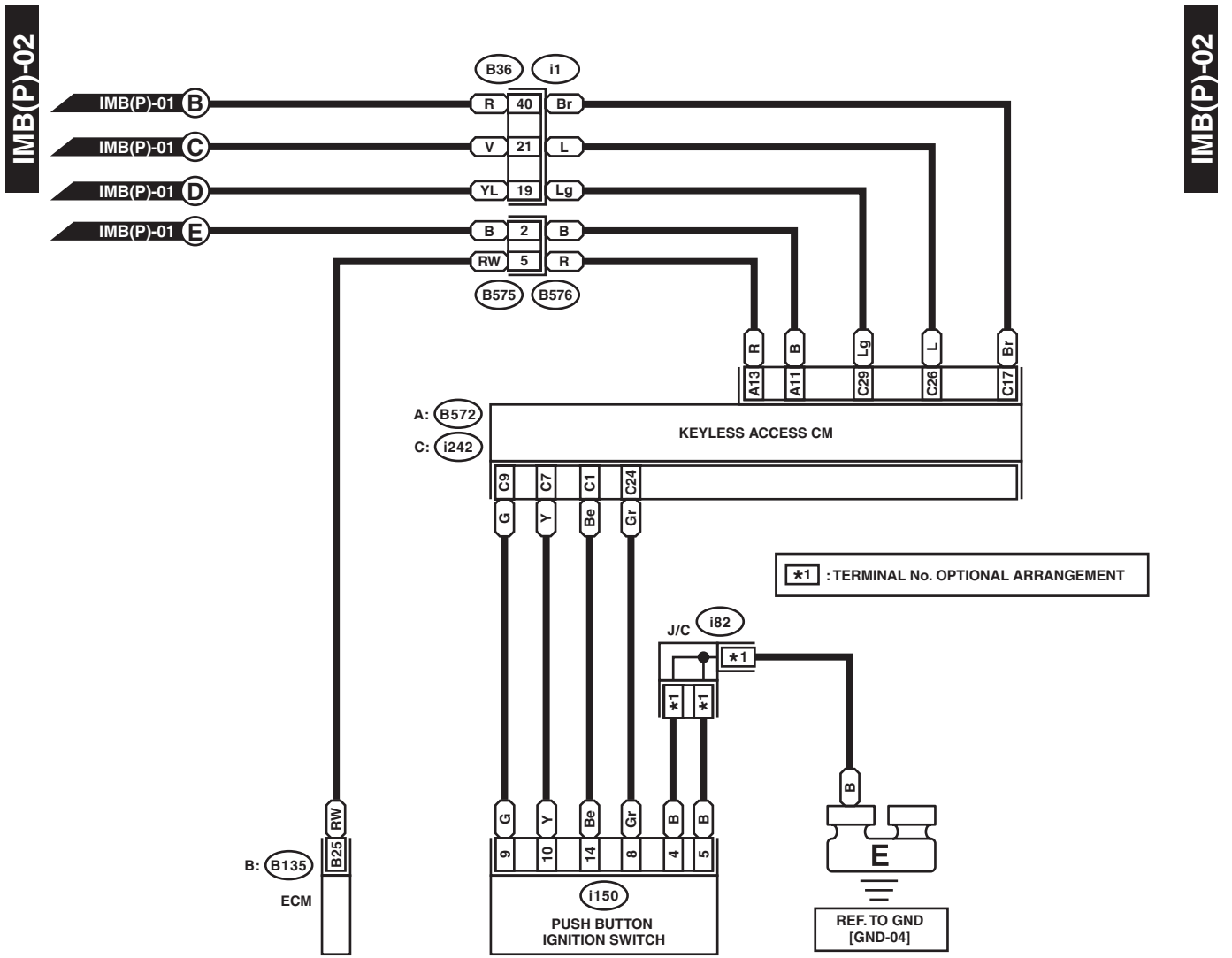
2. WITH PUSH BUTTON START



WI-41349

Immobilizer System

WIRING SYSTEM



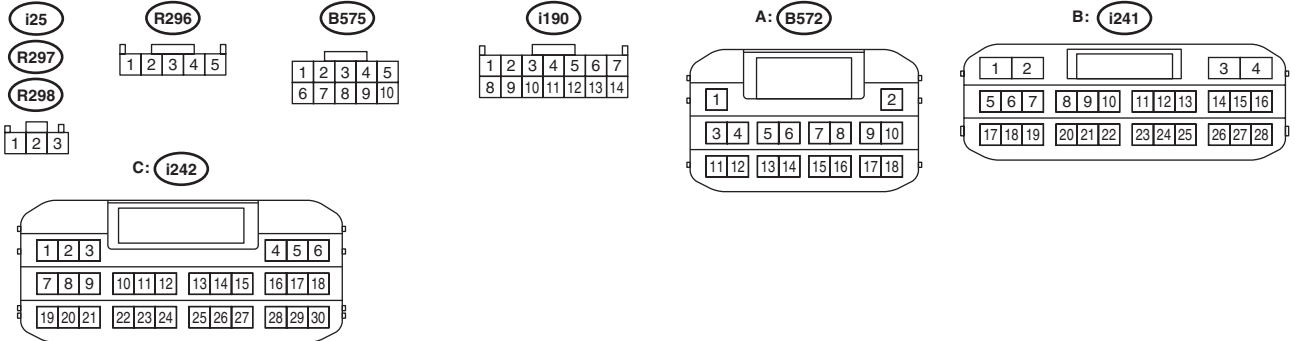
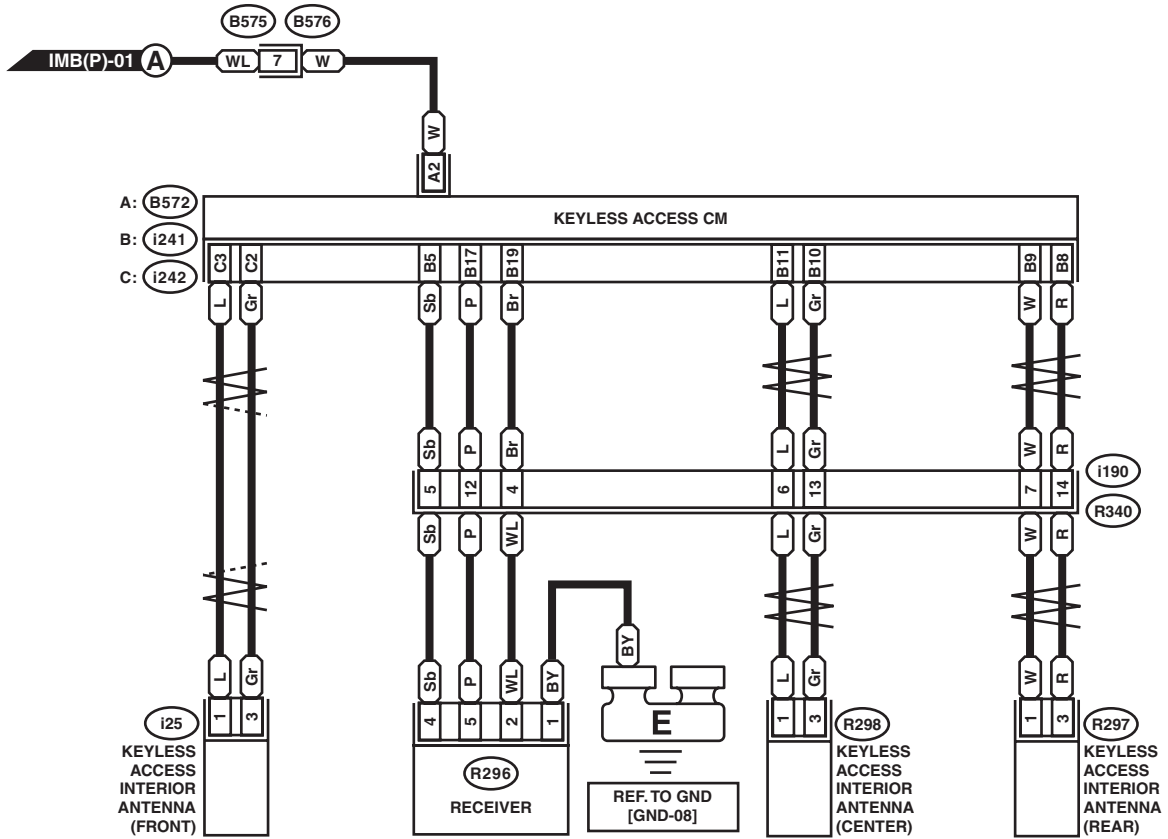
WI-41350

Immobilizer System

WIRING SYSTEM

IMB(P)-03

IMB(P)-03



WI-41351