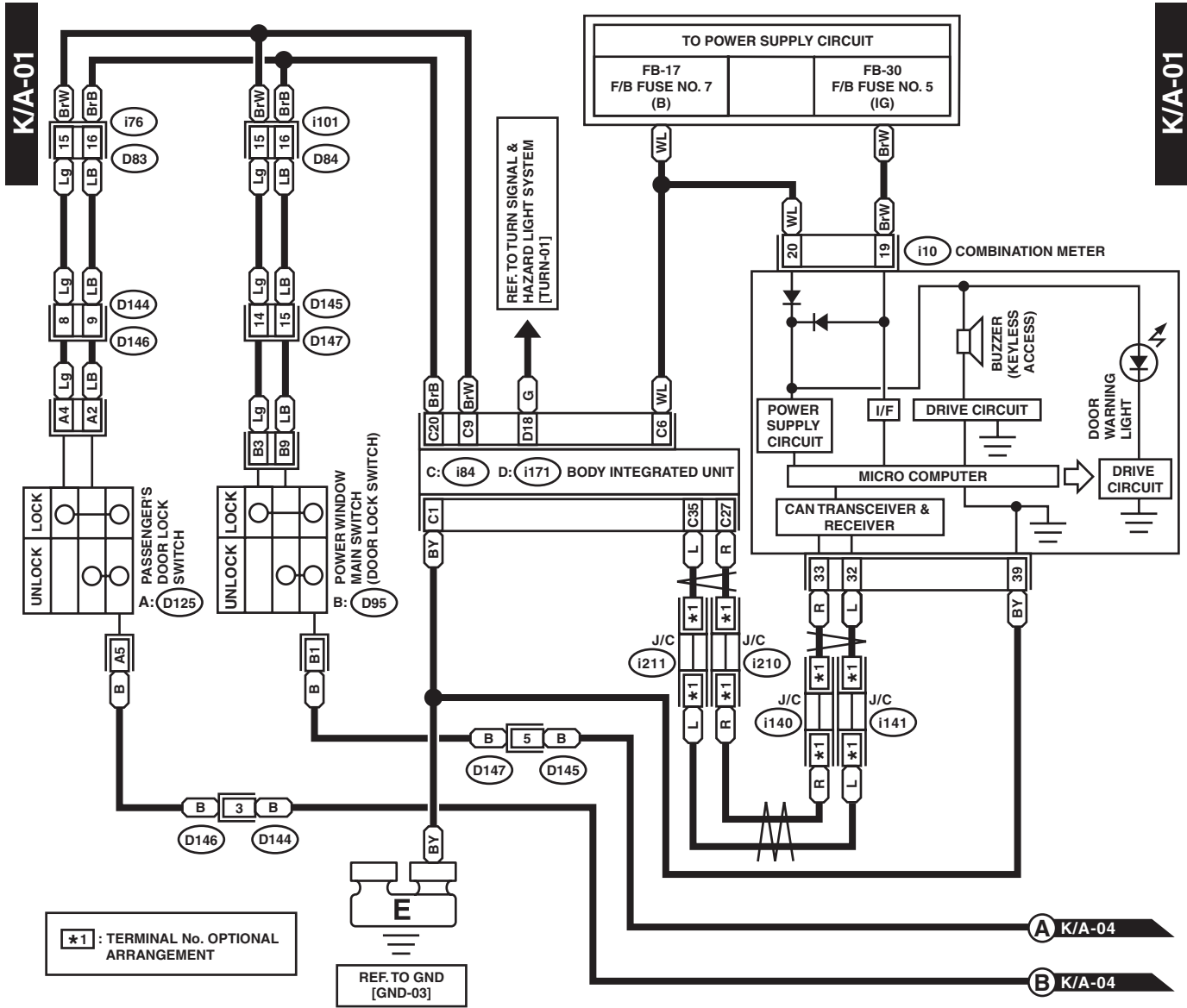


Keyless Access System

WIRING SYSTEM

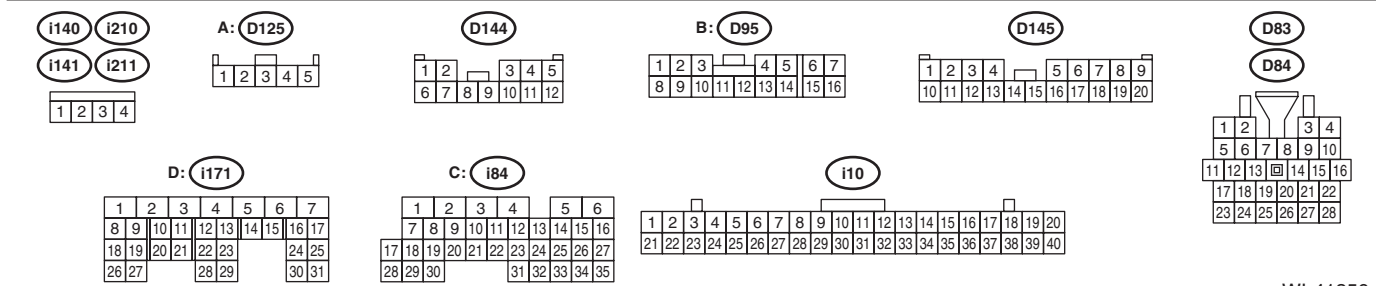
28. Keyless Access System

A: WIRING DIAGRAM



*1 : TERMINAL No. OPTIONAL ARRANGEMENT

REF. TO GND [GND-03]



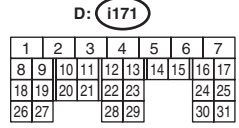
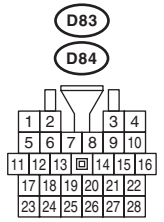
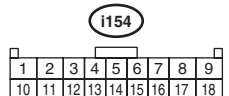
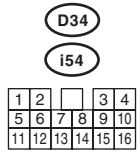
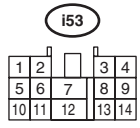
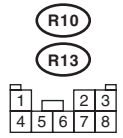
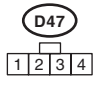
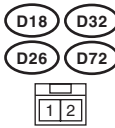
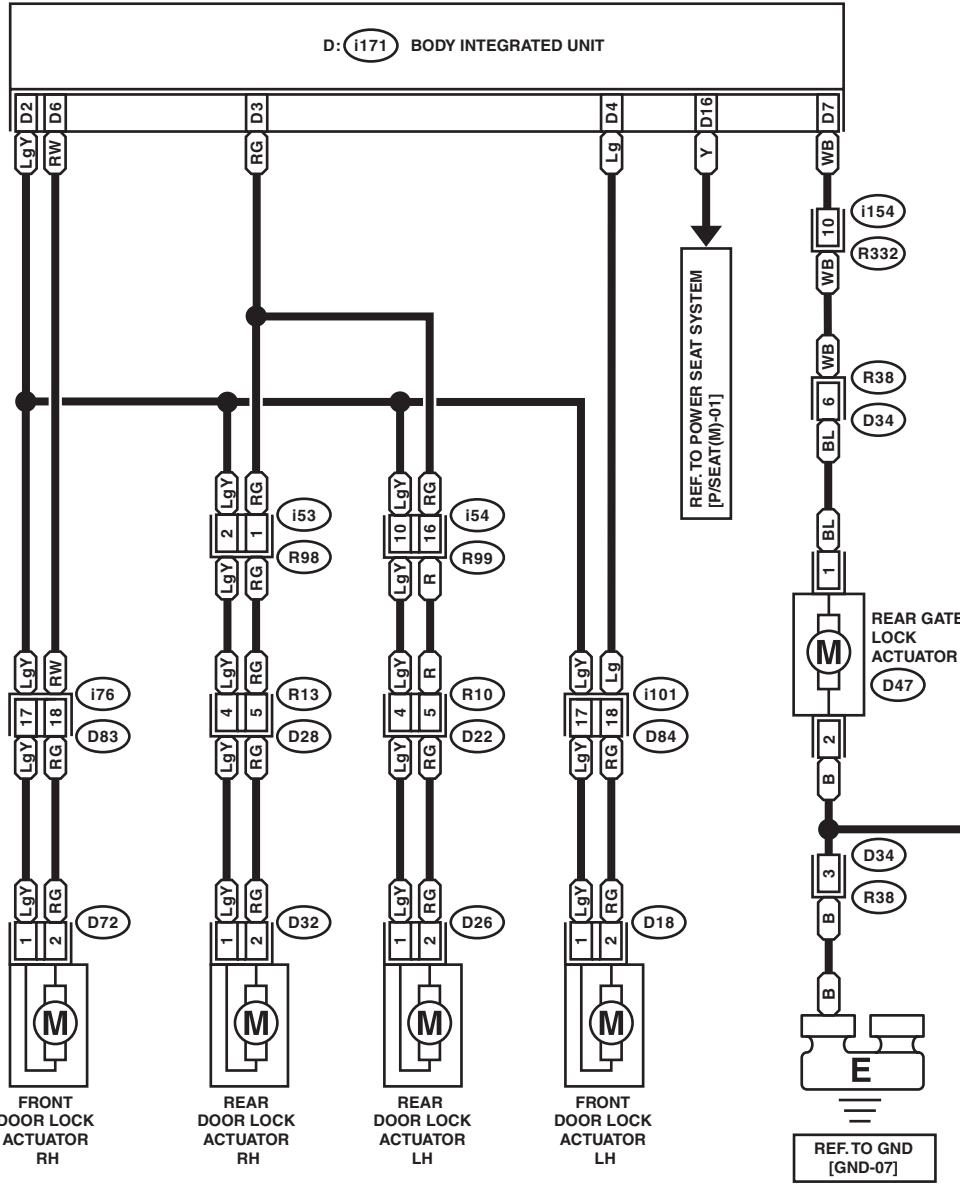
WI-41356

Keyless Access System

WIRING SYSTEM

K/A-02

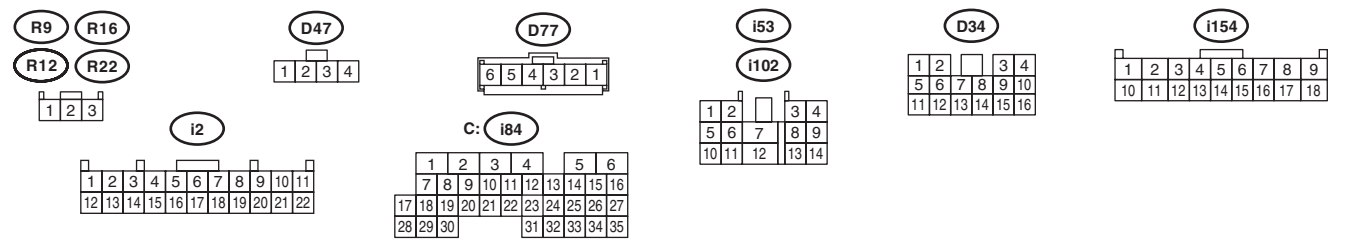
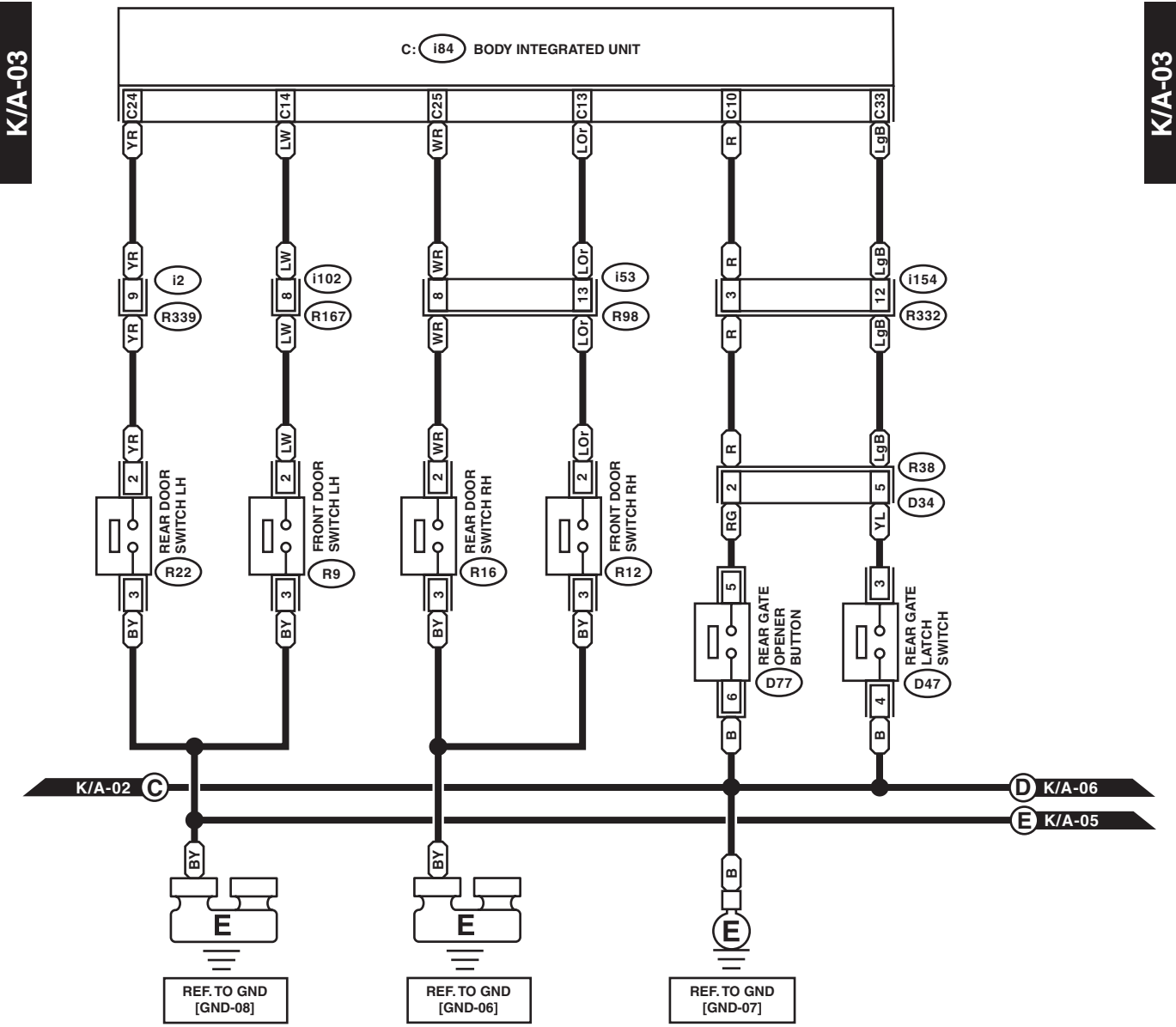
K/A-02



WI-41357

Keyless Access System

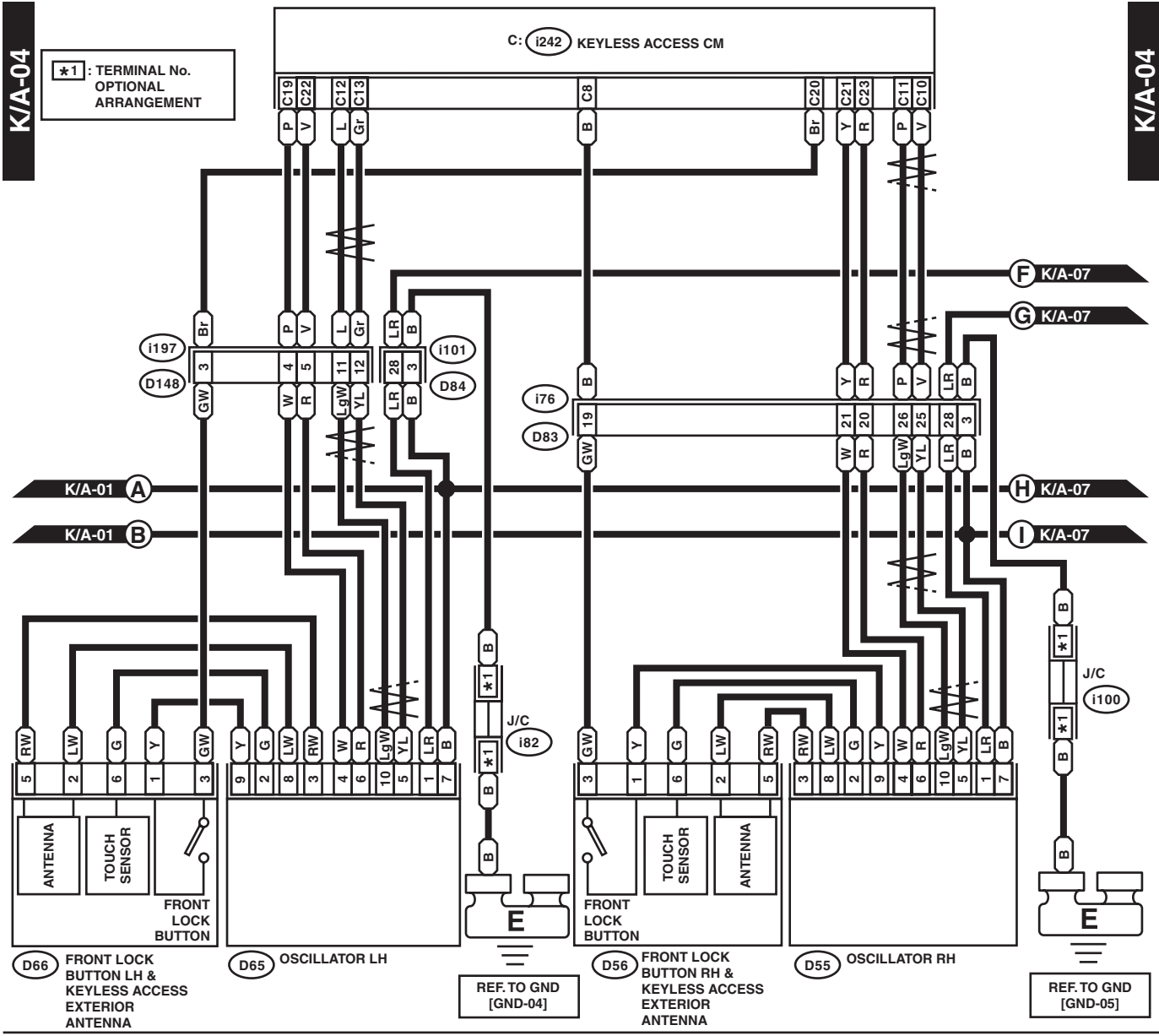
WIRING SYSTEM



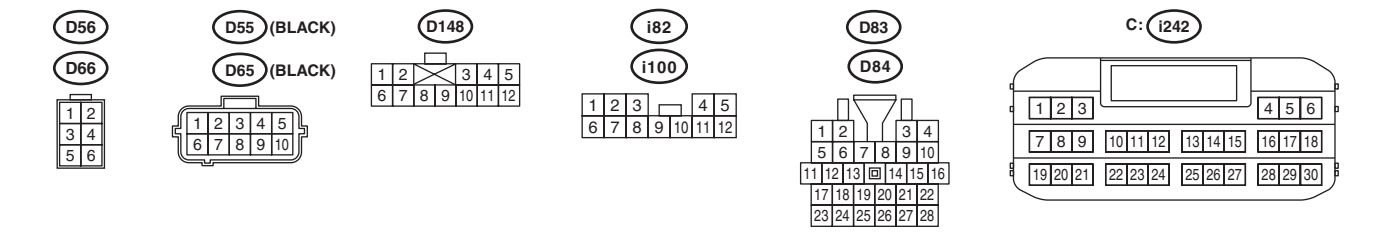
WI-41358

Keyless Access System

WIRING SYSTEM



*1 : TERMINAL No. OPTIONAL ARRANGEMENT



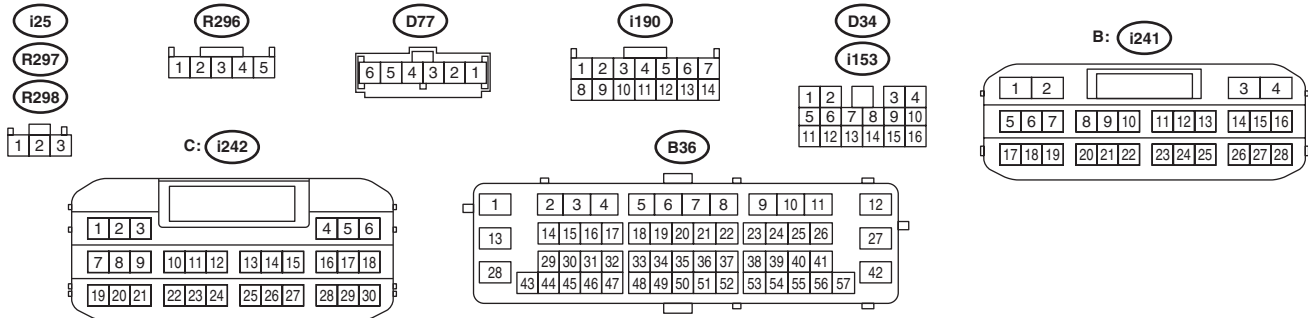
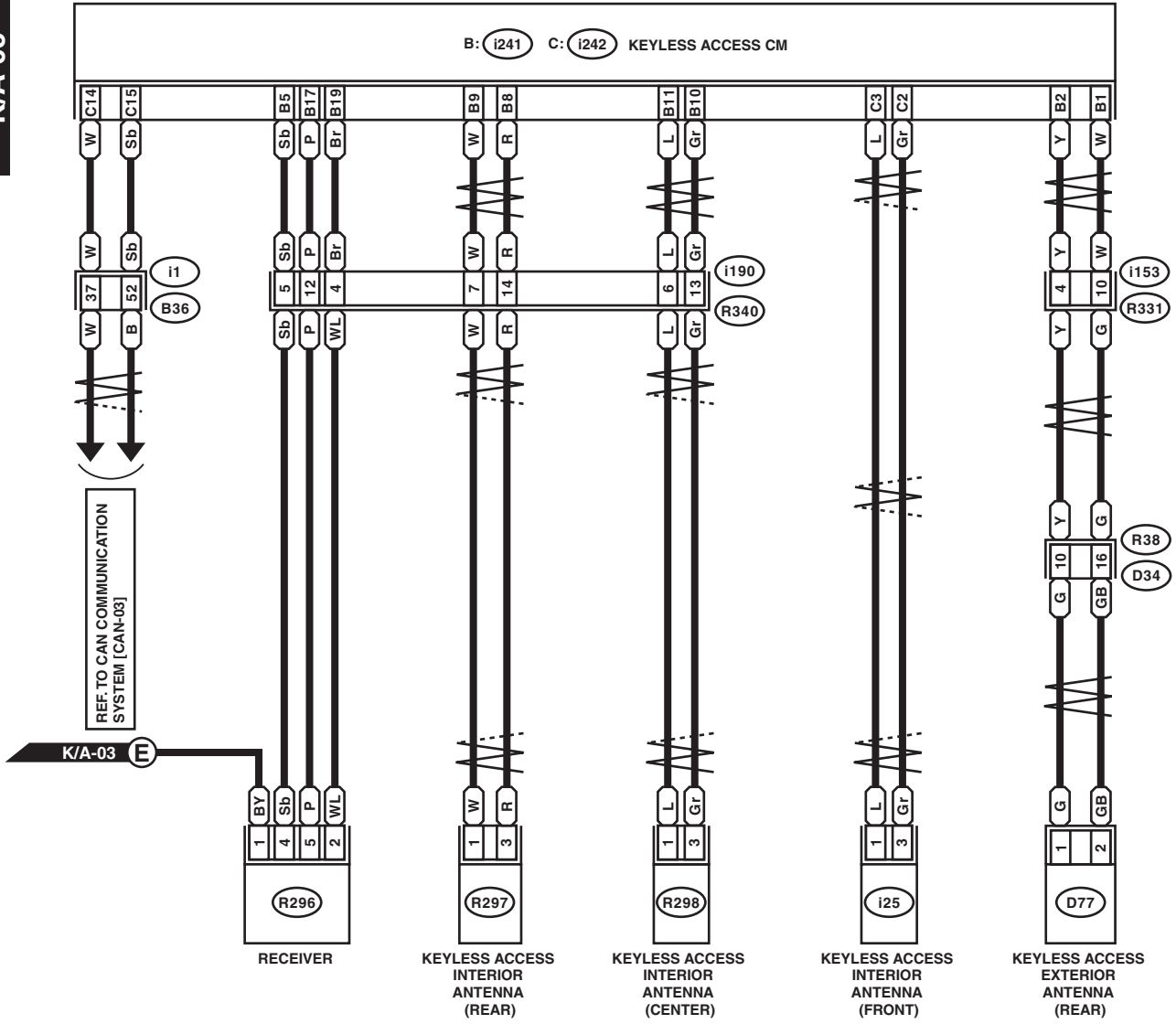
WI-41359

Keyless Access System

WIRING SYSTEM

K/A-05

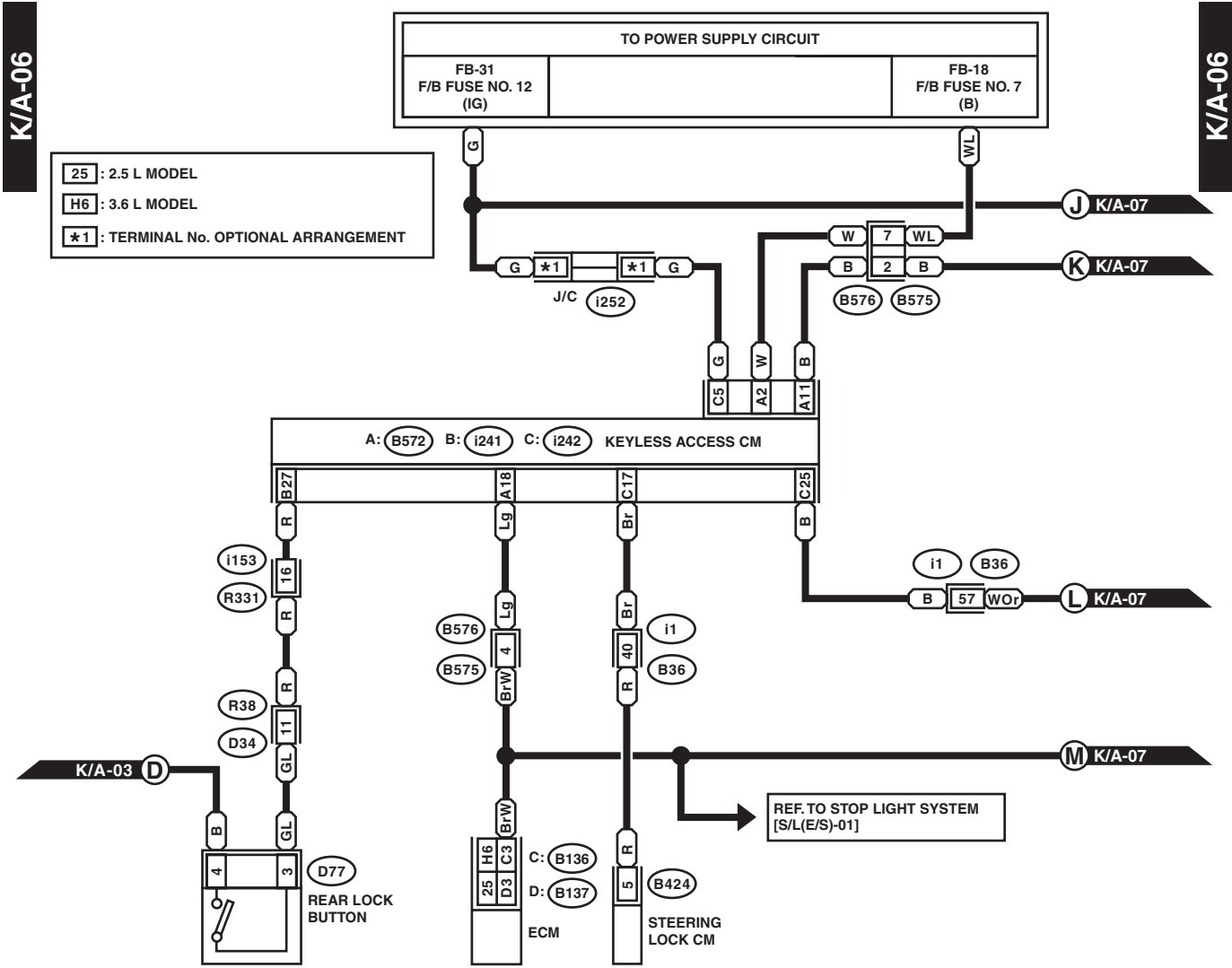
K/A-05



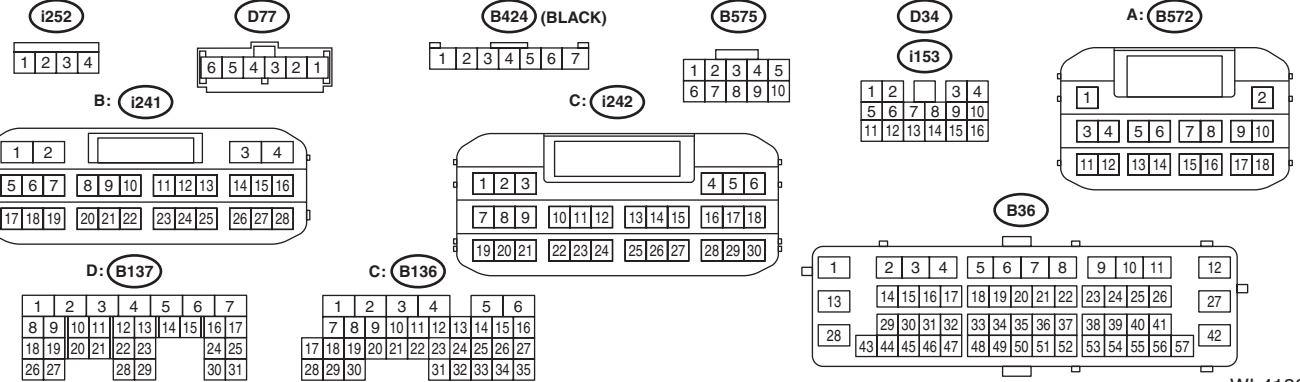
WI-41360

Keyless Access System

WIRING SYSTEM



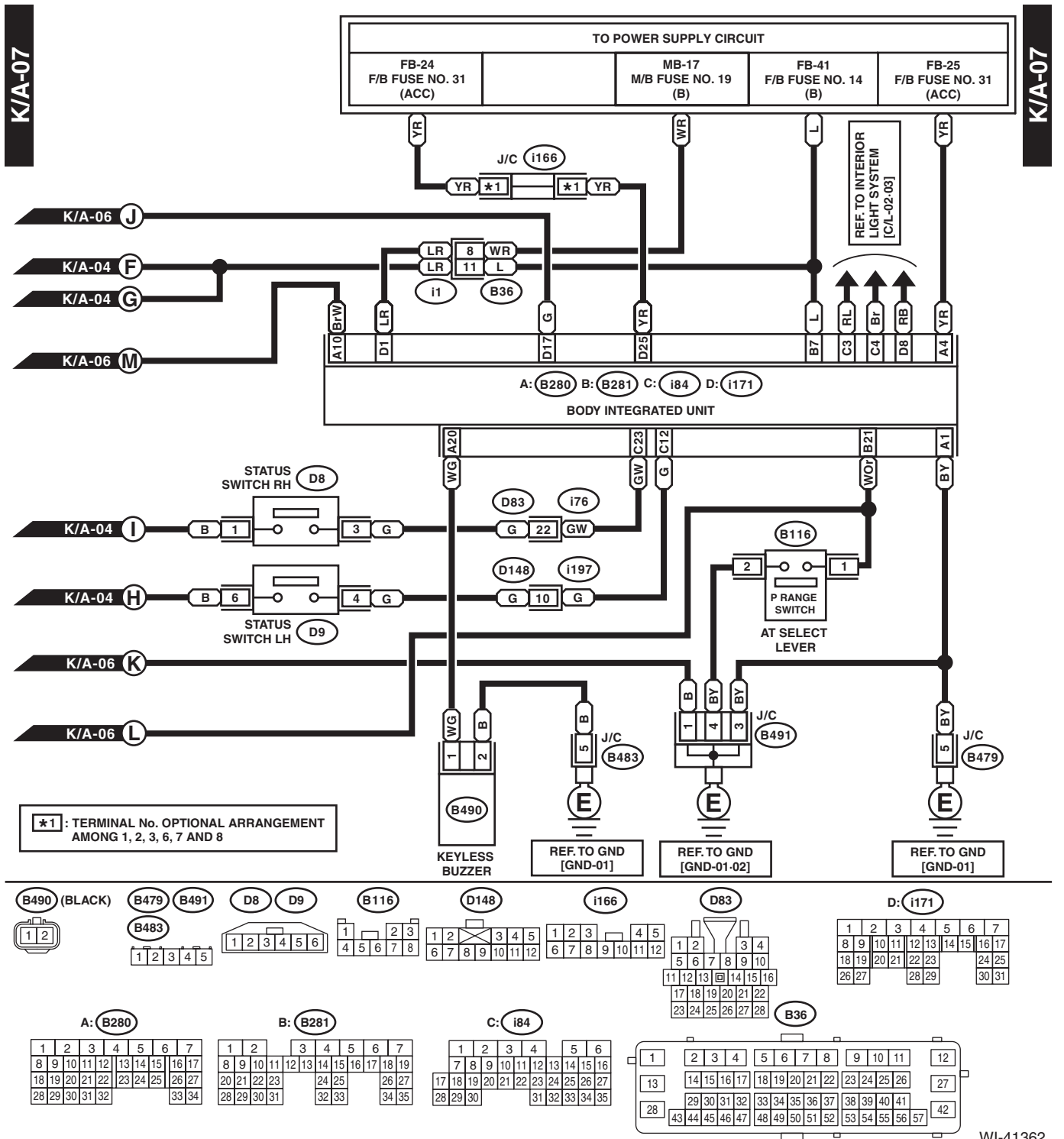
25 : 2.5 L MODEL
H6 : 3.6 L MODEL
***1** : TERMINAL No. OPTIONAL ARRANGEMENT



WI-41361

Keyless Access System

WIRING SYSTEM



WI-41362