

Oil Pressure Warning Light System

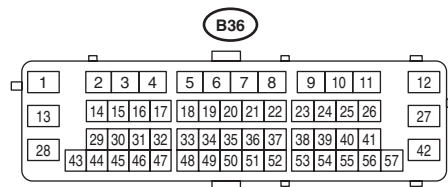
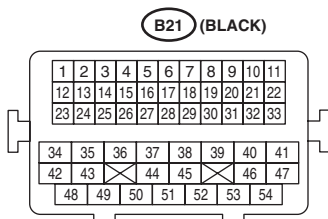
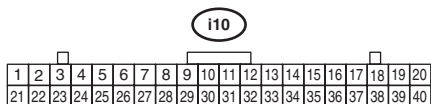
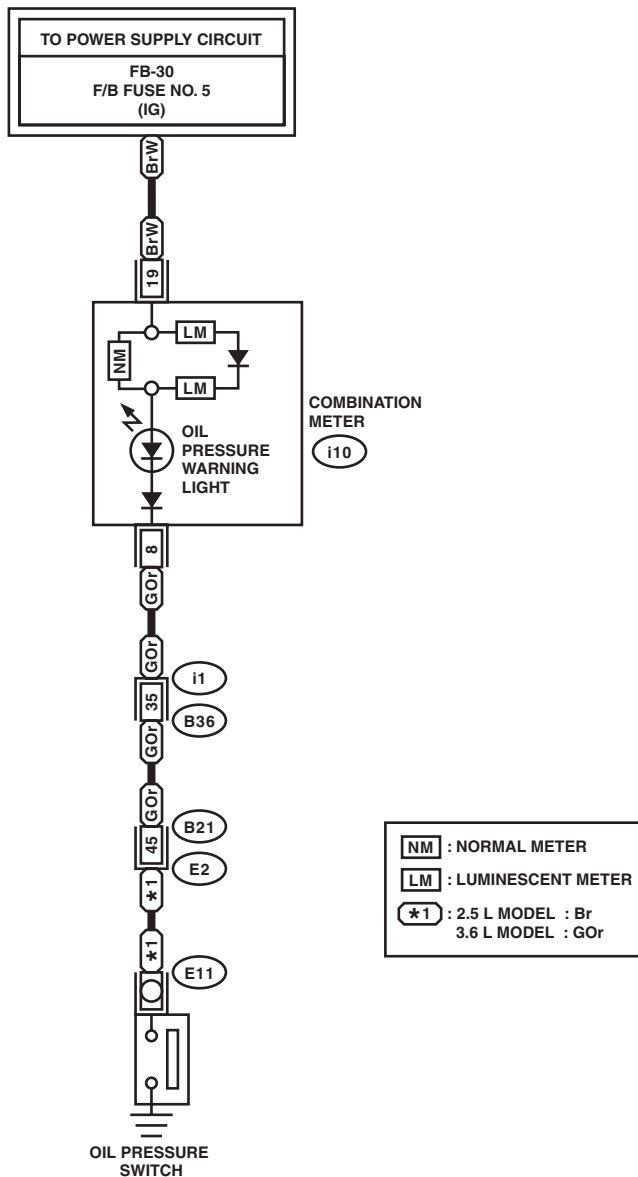
WIRING SYSTEM

32.Oil Pressure Warning Light System

A: WIRING DIAGRAM

OIL/P-01

OIL/P-01



WI-36304