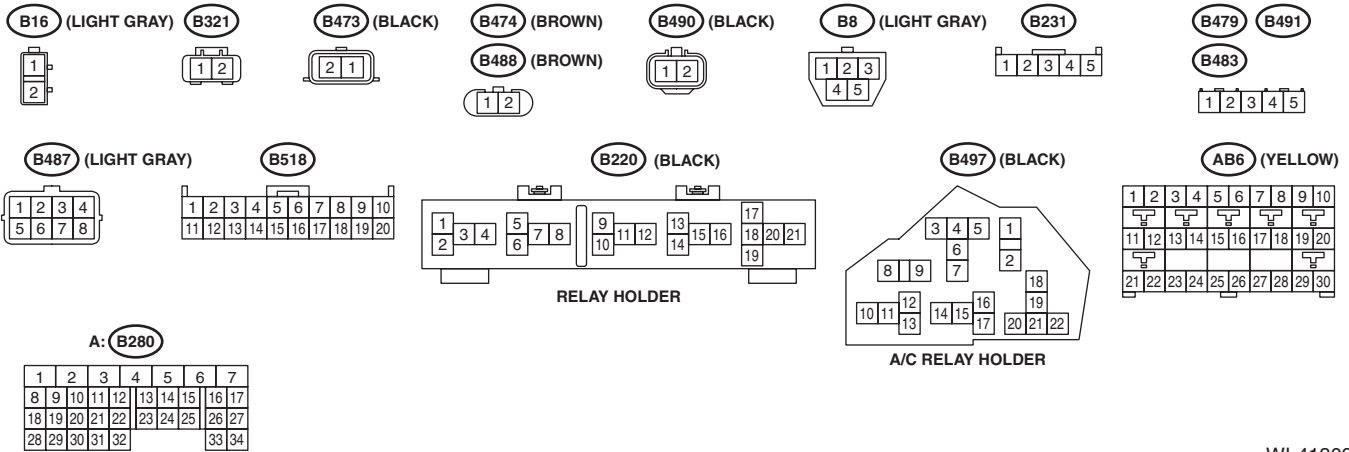
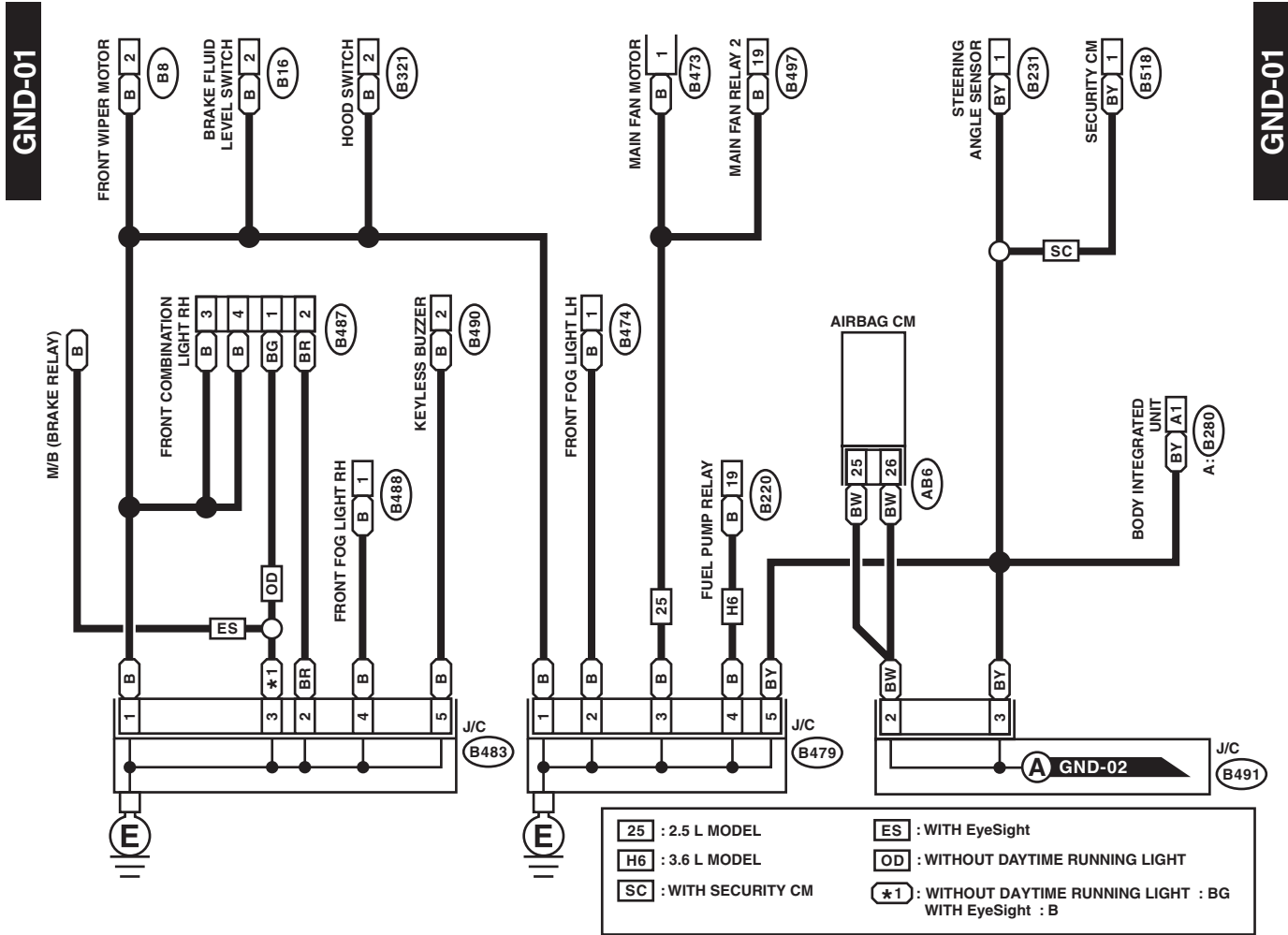


Ground Circuit

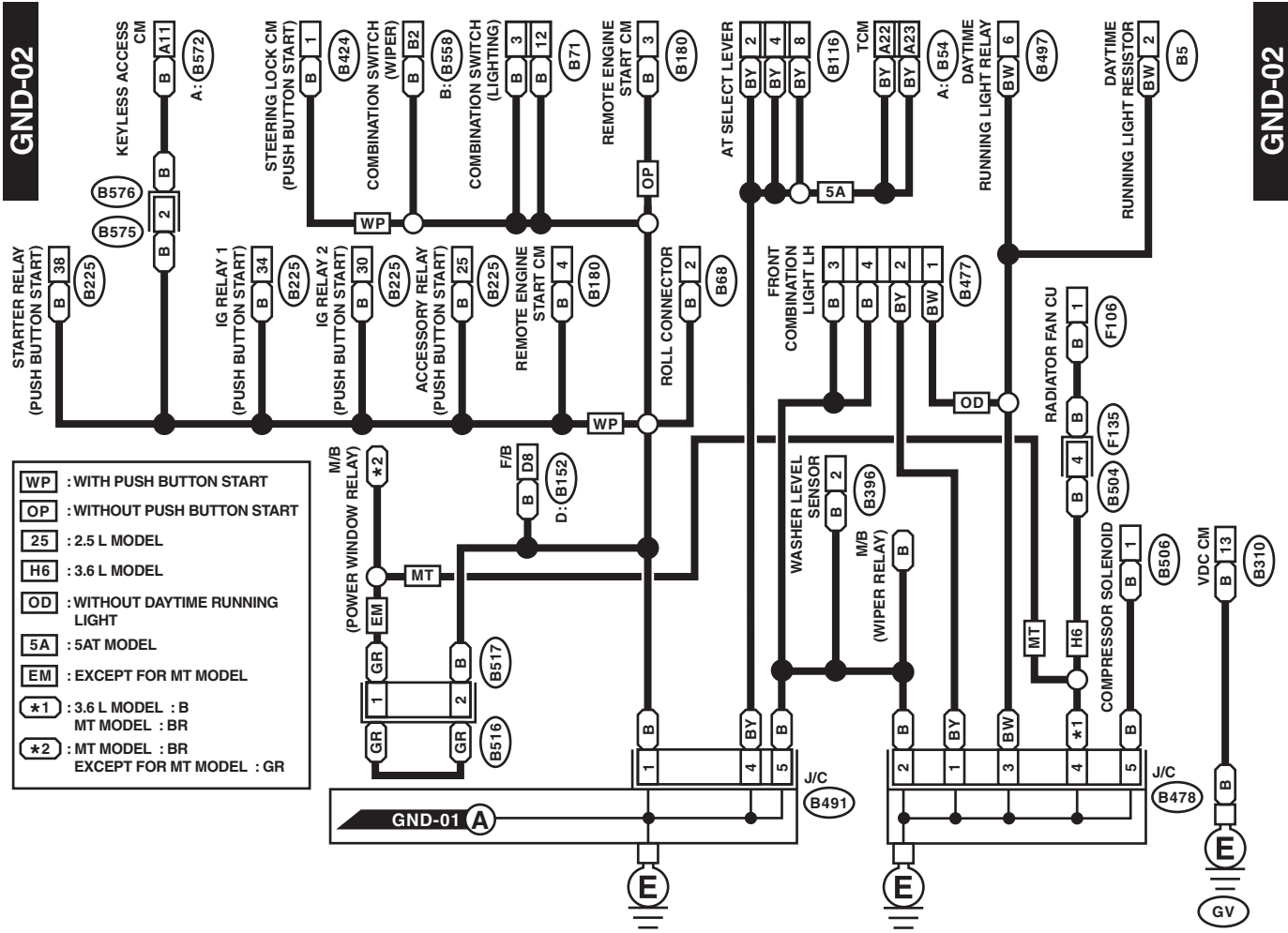
WIRING SYSTEM

4. Ground Circuit A: WIRING DIAGRAM 1. CHASSIS GROUND

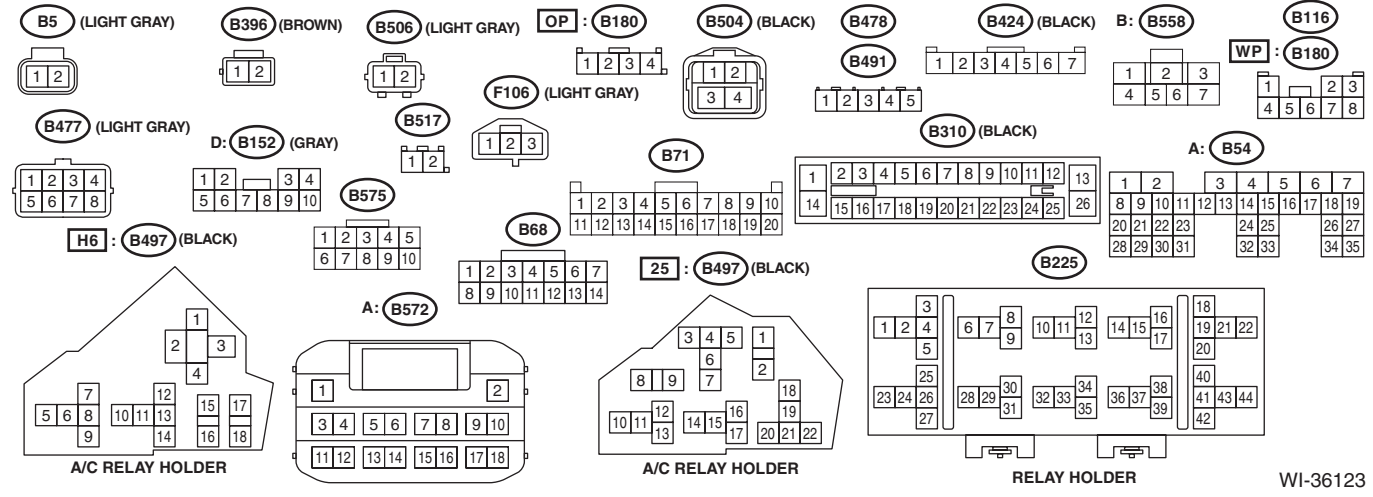


WI-41309

Ground Circuit



- WP** : WITH PUSH BUTTON START
- OP** : WITHOUT PUSH BUTTON START
- 25** : 2.5 L MODEL
- H6** : 3.6 L MODEL
- OD** : WITHOUT DAYTIME RUNNING LIGHT
- 5A** : 5AT MODEL
- EM** : EXCEPT FOR MT MODEL
- *1** : 3.6 L MODEL : B
MT MODEL : BR
- *2** : MT MODEL : BR
EXCEPT FOR MT MODEL : GR



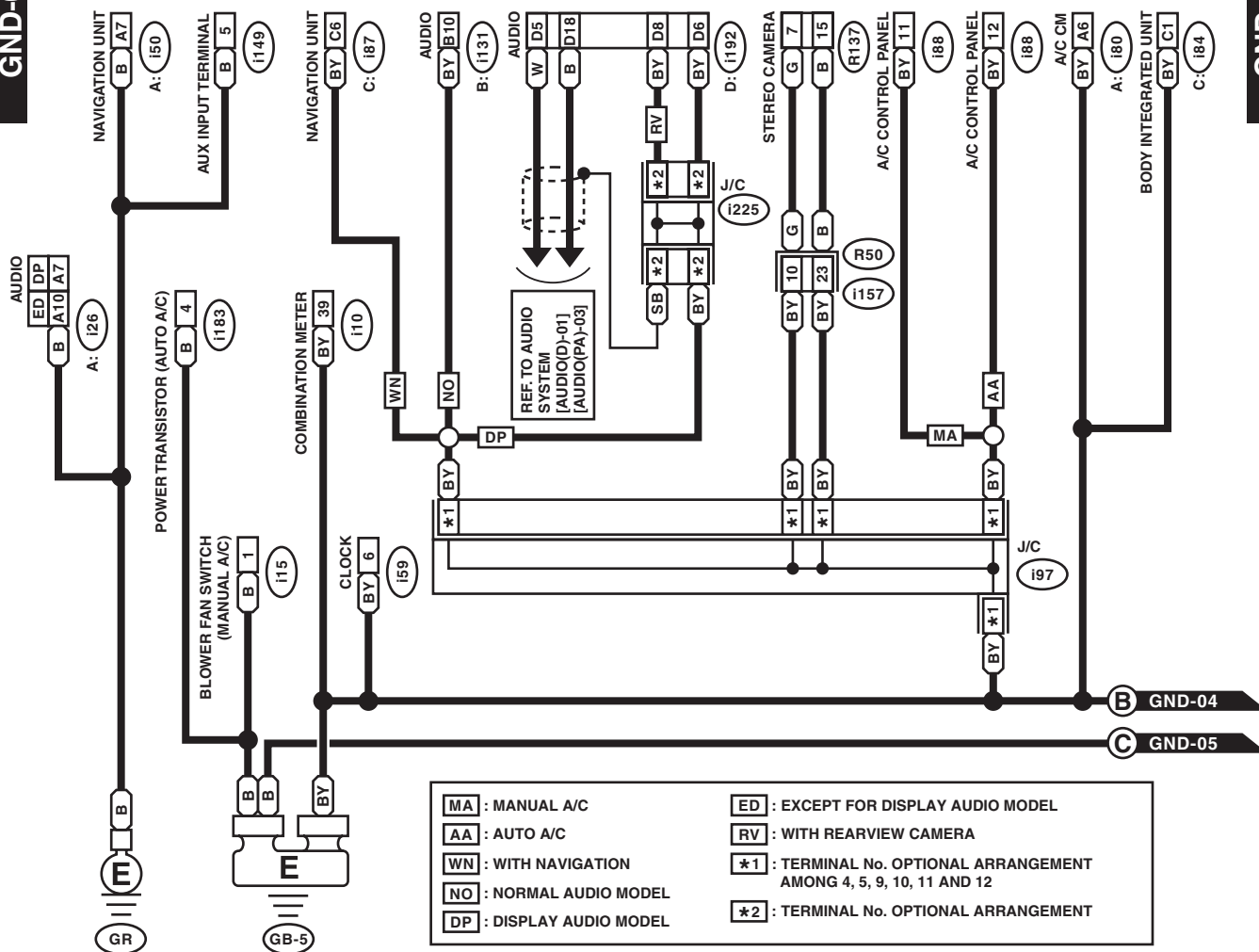
WI-36123

Ground Circuit

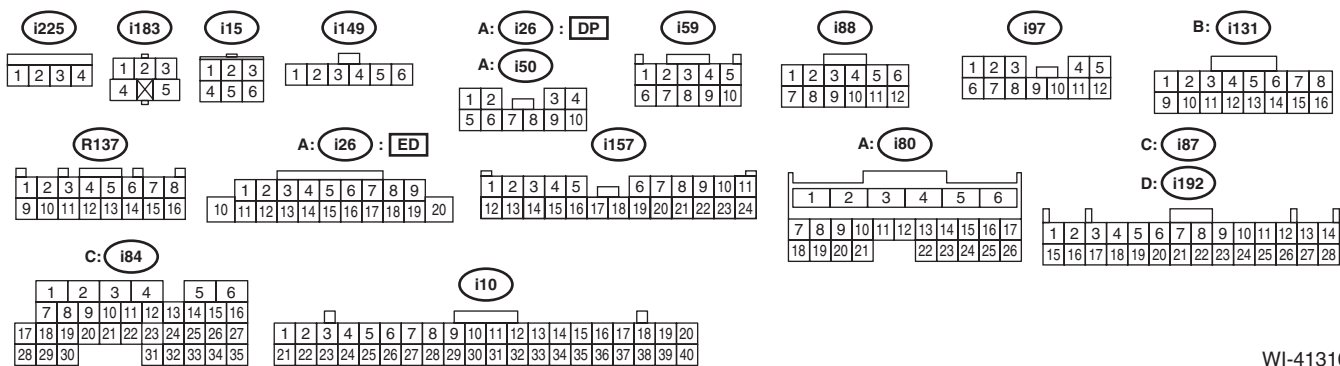
WIRING SYSTEM

GND-03

GND-03



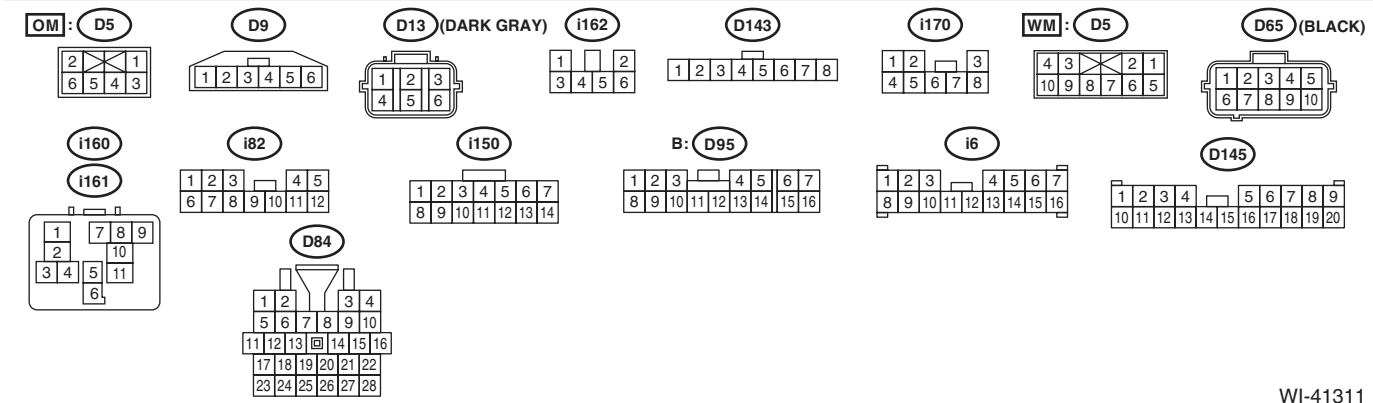
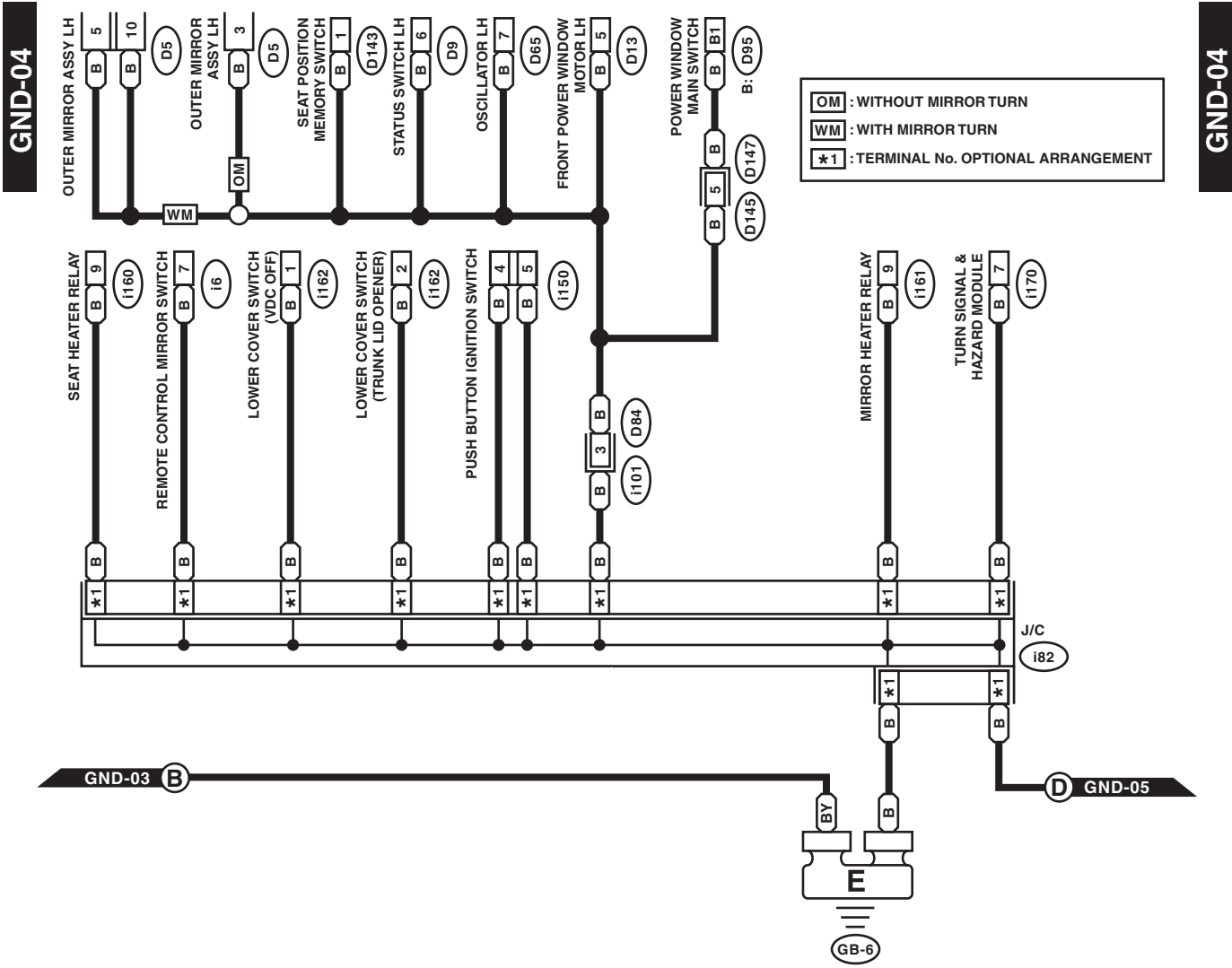
MA : MANUAL A/C	ED : EXCEPT FOR DISPLAY AUDIO MODEL
AA : AUTO A/C	RV : WITH REARVIEW CAMERA
WN : WITH NAVIGATION	*1 : TERMINAL No. OPTIONAL ARRANGEMENT AMONG 4, 5, 9, 10, 11 AND 12
NO : NORMAL AUDIO MODEL	*2 : TERMINAL No. OPTIONAL ARRANGEMENT
DP : DISPLAY AUDIO MODEL	



WI-41310

Ground Circuit

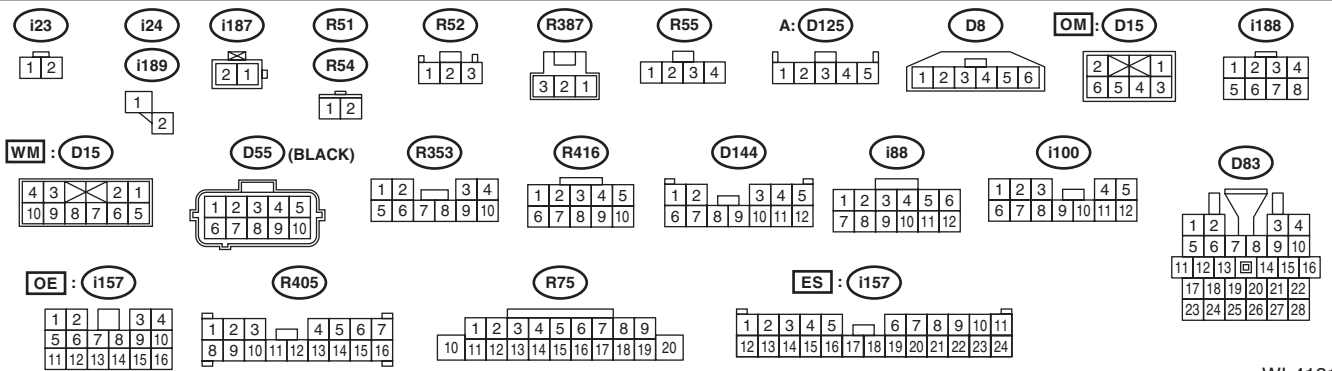
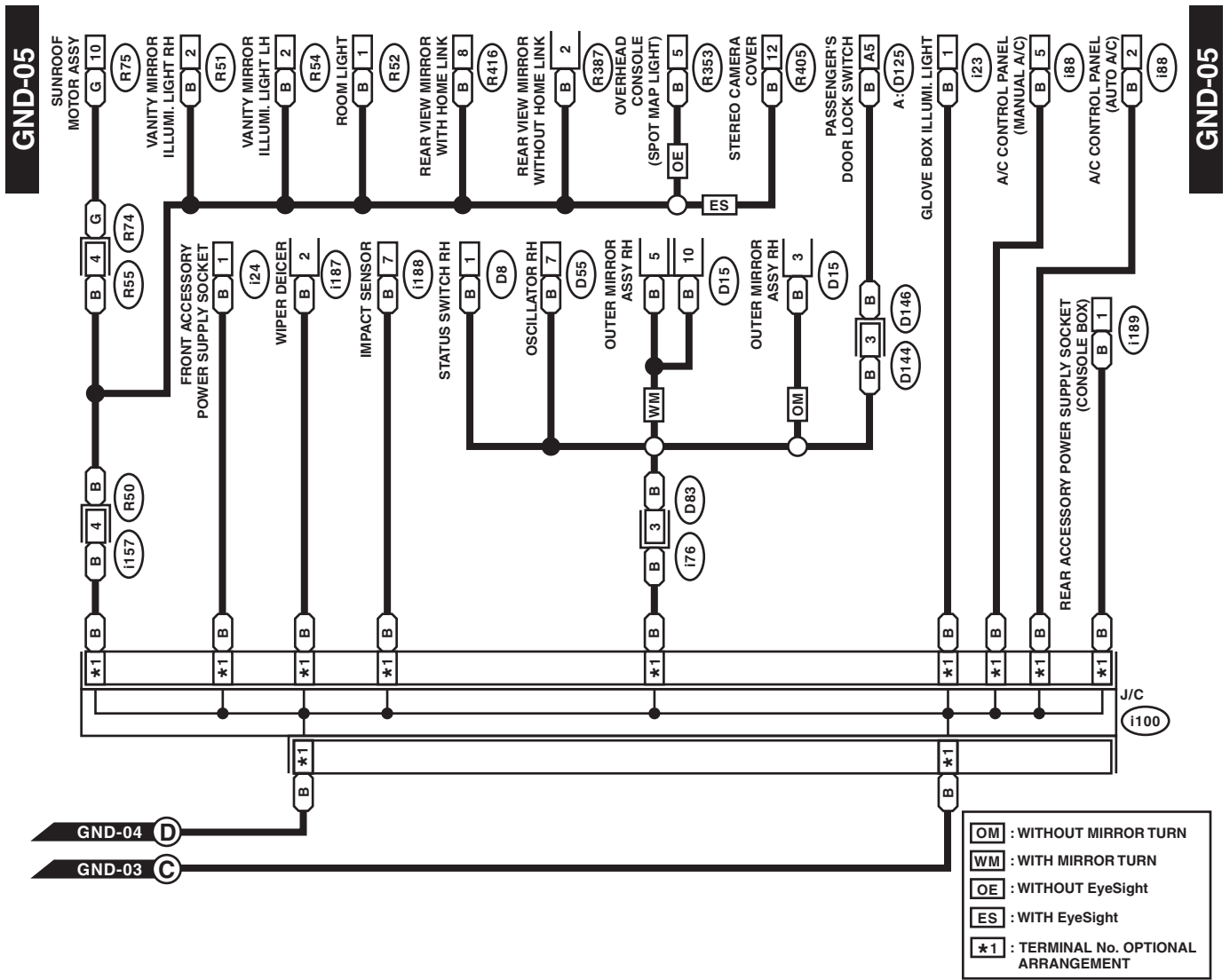
WIRING SYSTEM



WI-41311

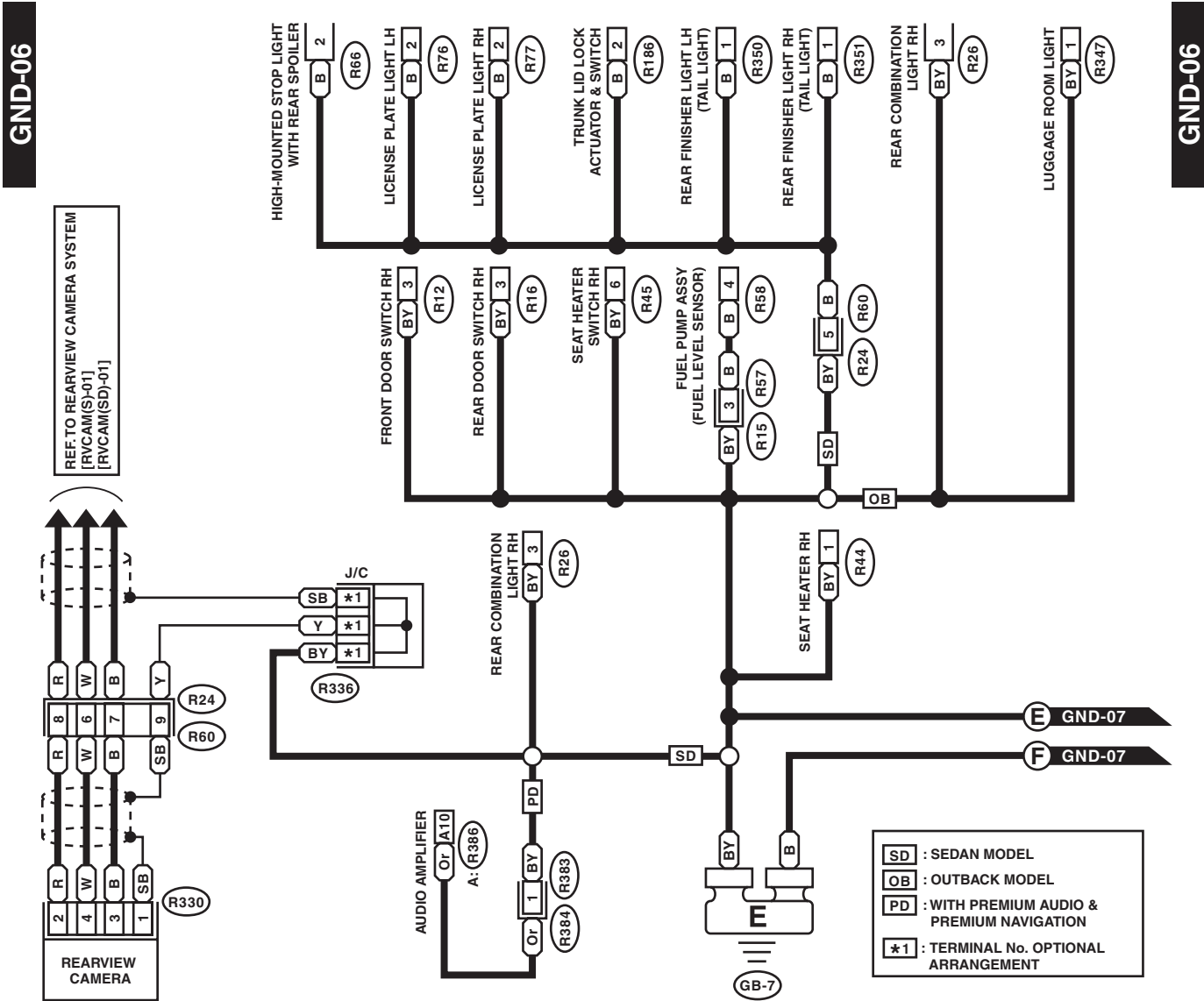
Ground Circuit

WIRING SYSTEM



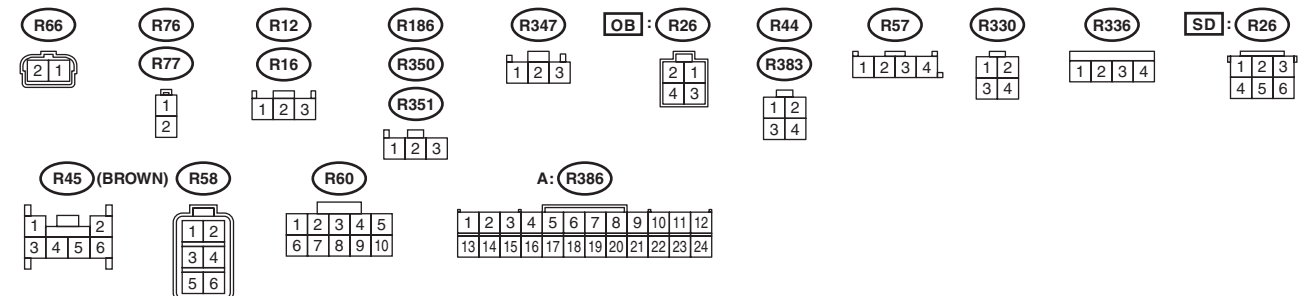
WI-41312

Ground Circuit



GND-06

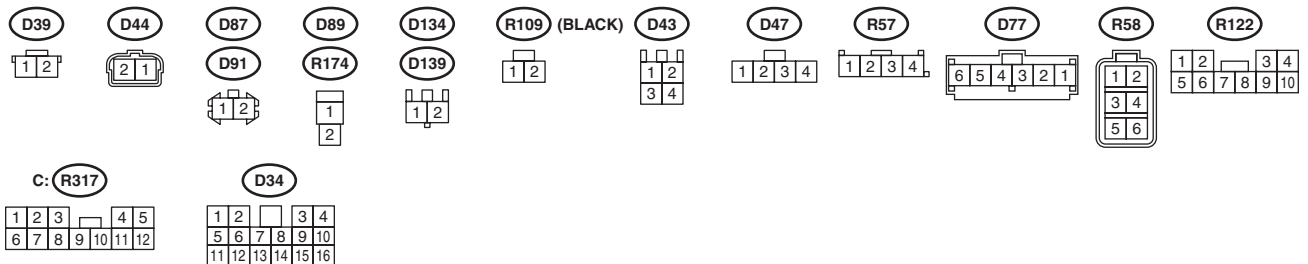
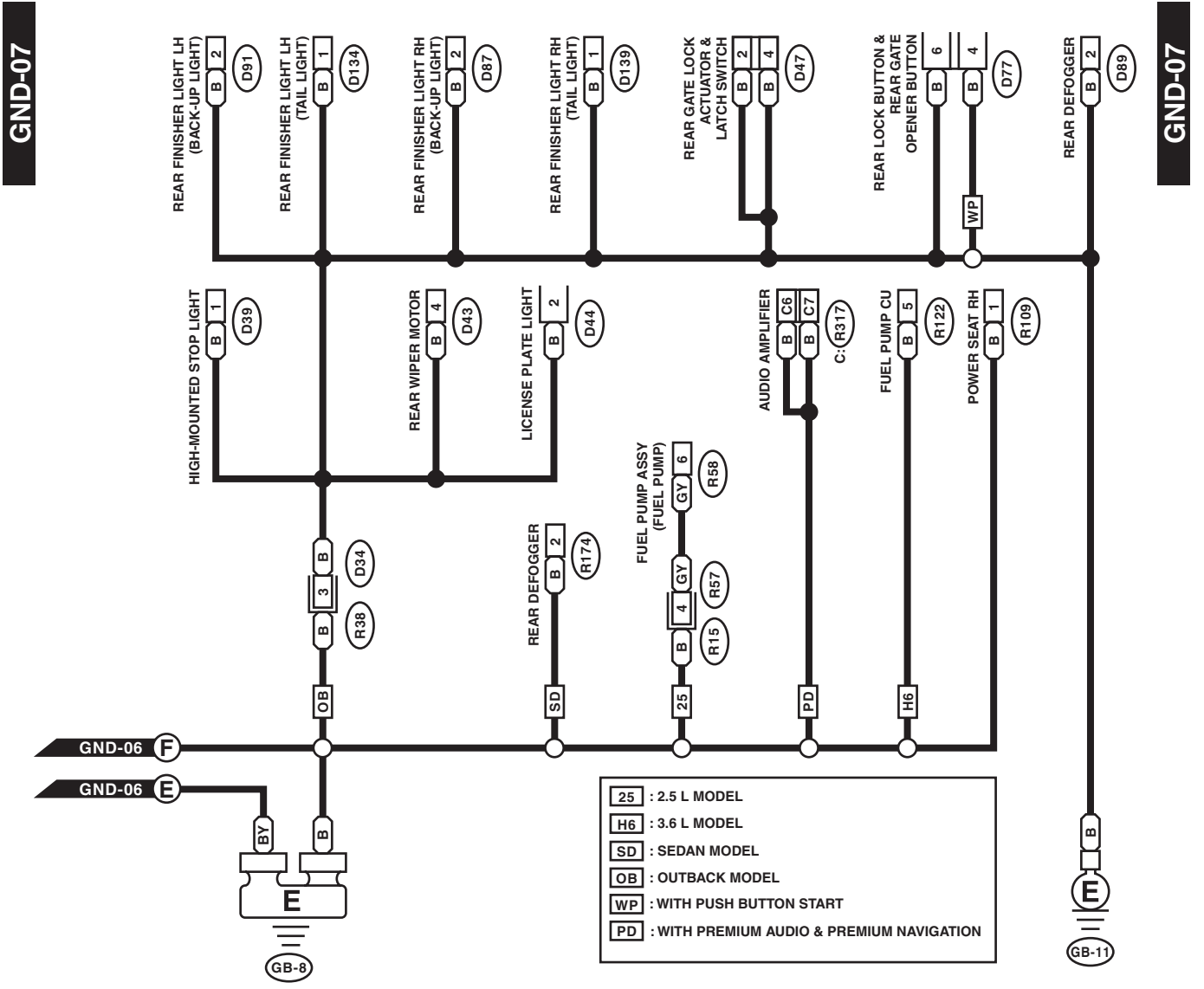
GND-06



WI-41313

Ground Circuit

WIRING SYSTEM

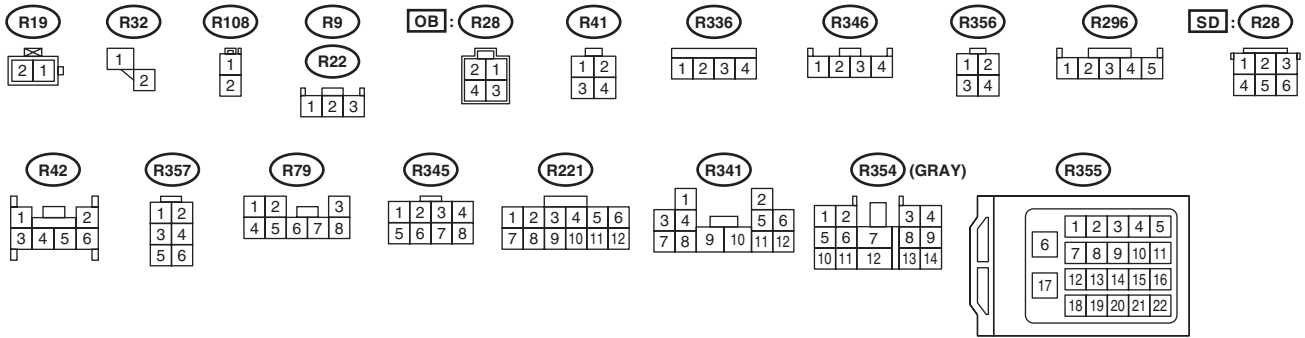
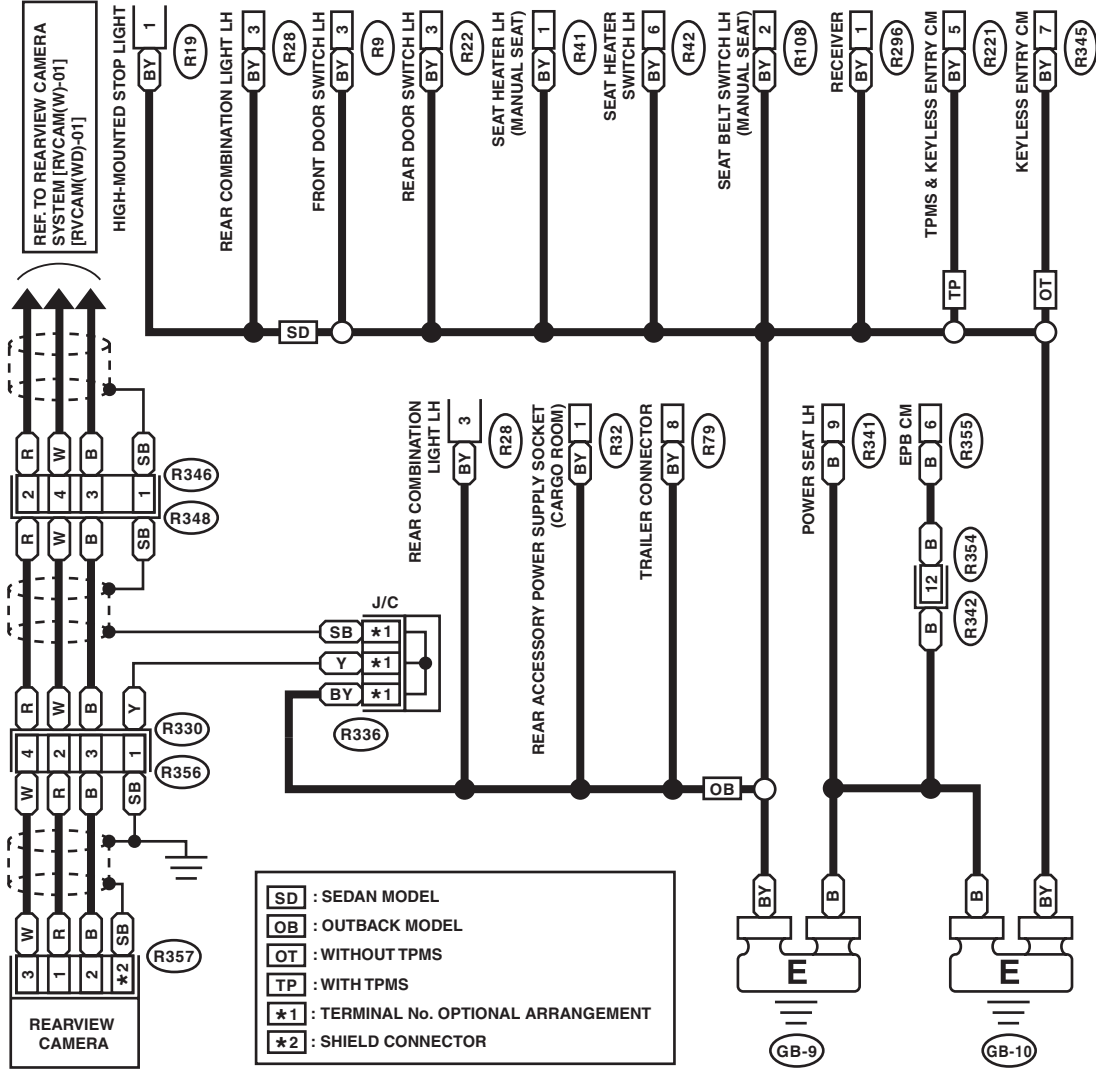


WI-41314

Ground Circuit

GND-08

GND-08



WI-41315

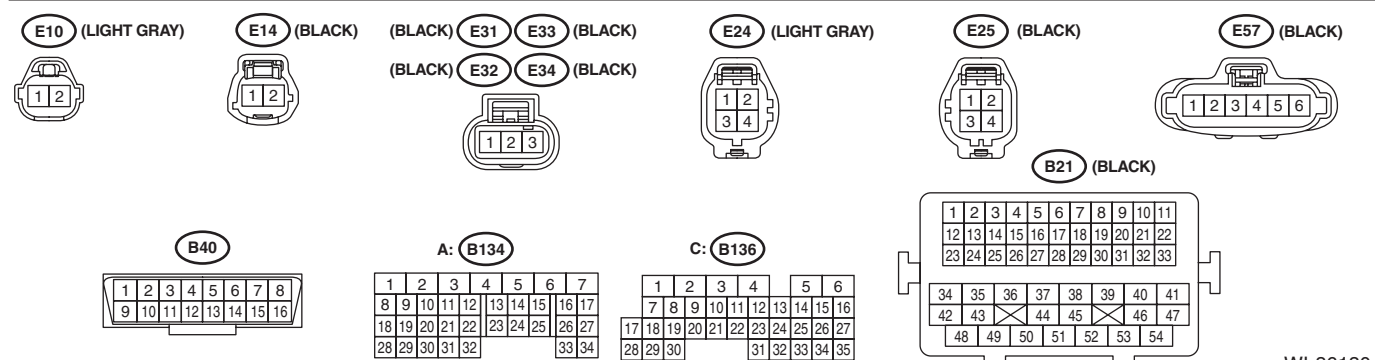
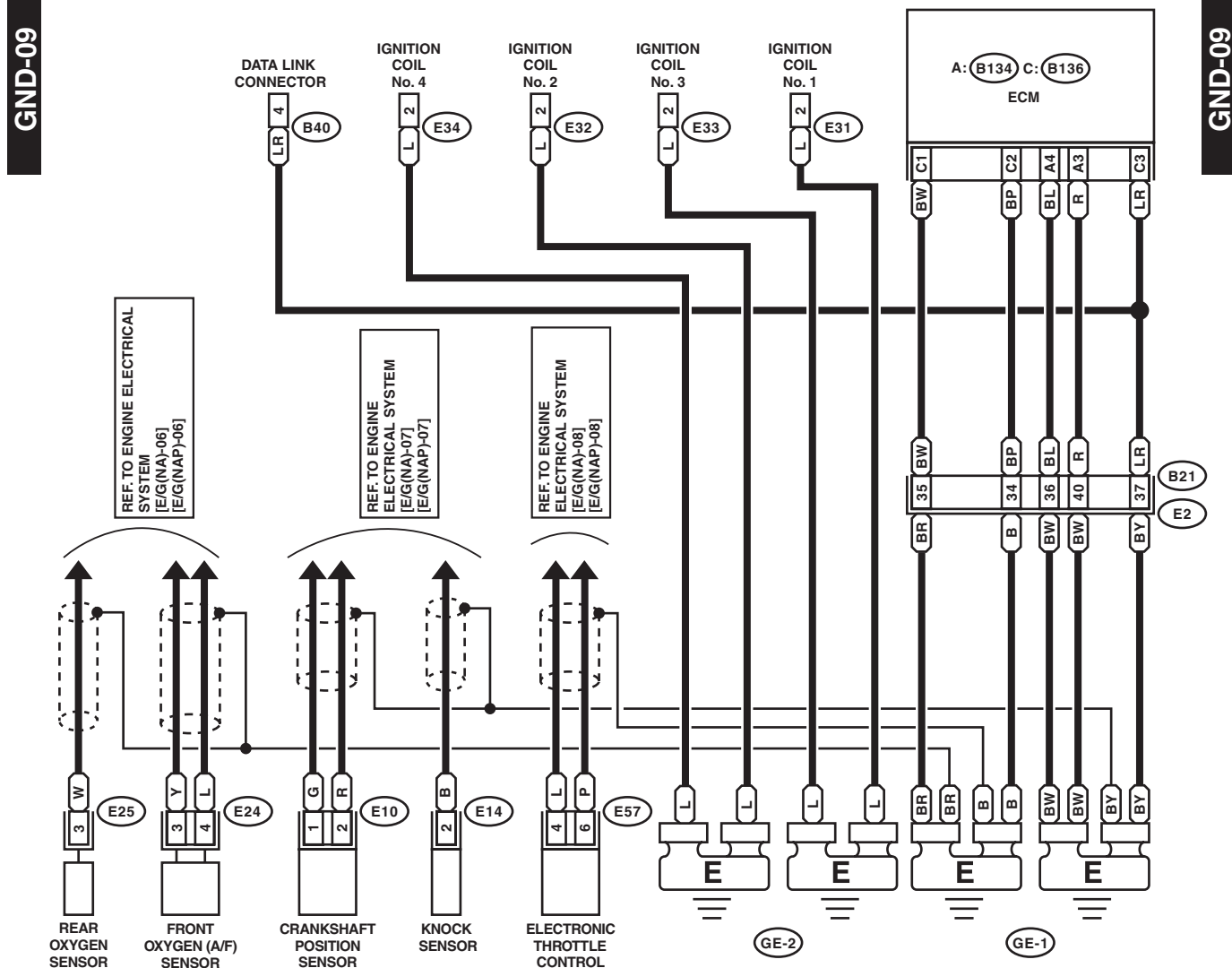
Ground Circuit

WIRING SYSTEM

2. ENGINE GROUND (2.5 L MODEL)

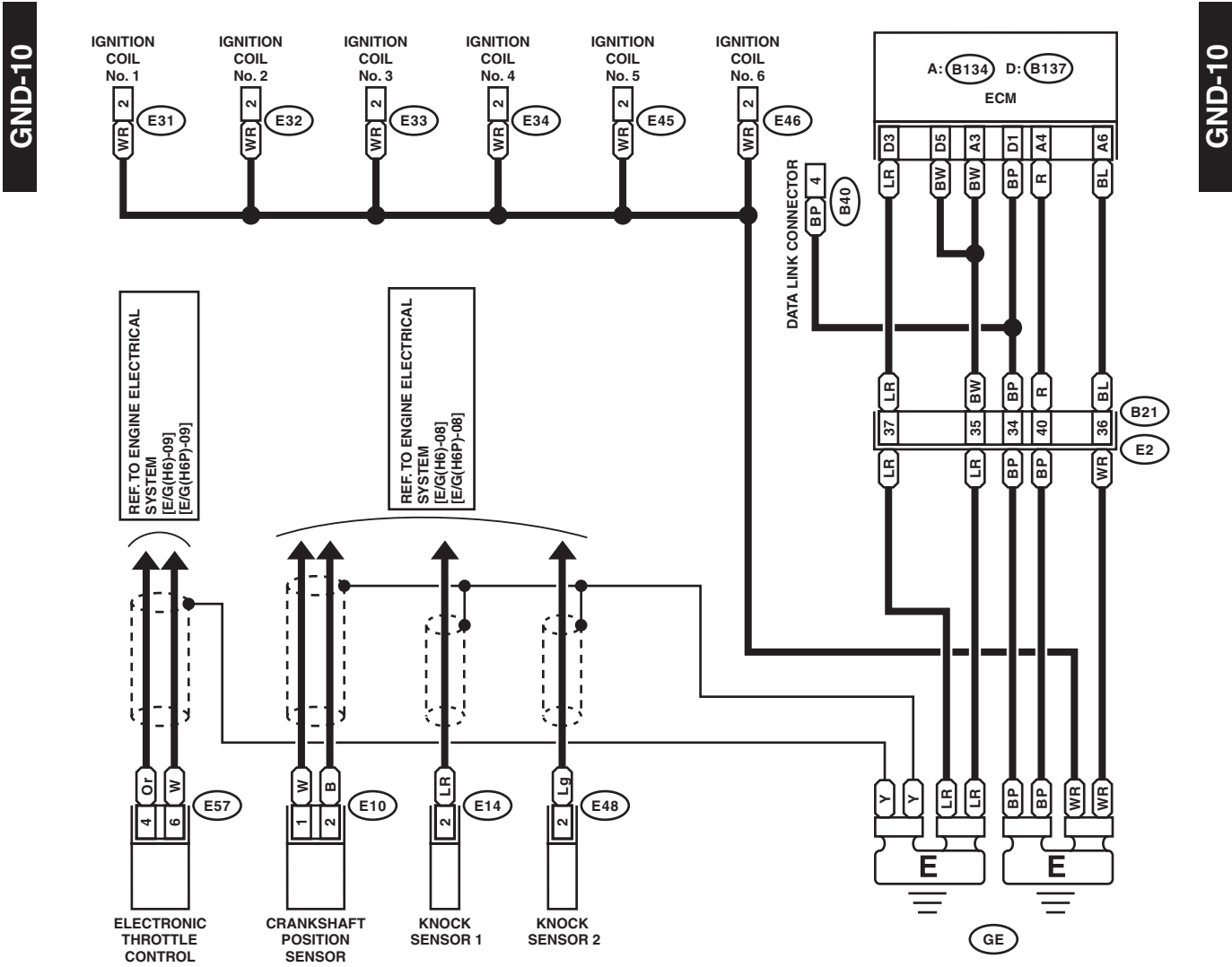
GND-09

GND-09



WI-36130

3. ENGINE GROUND (3.6 L MODEL)



E10 (LIGHT GRAY)

E14 (BLACK)

E48 (BLACK)

(GRAY) E31 (GRAY) E34 (GRAY)

(GRAY) E32 (GRAY) E45 (GRAY)

(GRAY) E33 (GRAY) E46 (GRAY)

E57 (BLACK)

B40

D: B137

1	2	3	4	5	6	7
8	9	10	11	12	13	14
15	16	17	18	19	20	21
22	23	24	25	26	27	28
29	30	31	32	33	34	

A: B134

1	2	3	4	5	6	7
8	9	10	11	12	13	14
15	16	17	18	19	20	21
22	23	24	25	26	27	28
29	30	31	32	33	34	

B21 (BLACK)

B21 (BLACK)

1	2	3	4	5	6	7	8	9	10	11
12	13	14	15	16	17	18	19	20	21	22
23	24	25	26	27	28	29	30	31	32	33
34	35	36	37	38	39	40	41			
42	43	44	45	46	47					
48	49	50	51	52	53	54				

WI-36131

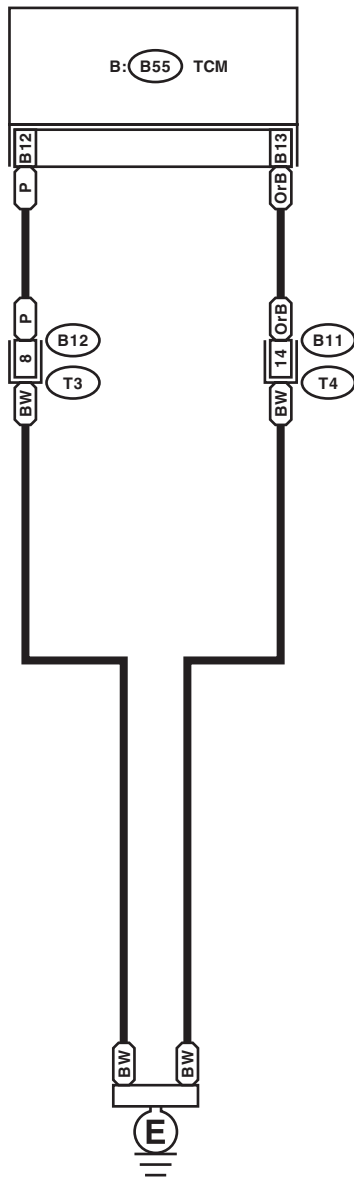
Ground Circuit

WIRING SYSTEM

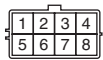
4. TRANSMISSION GROUND (AT MODEL)

GND-11

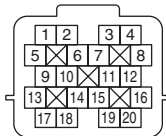
GND-11



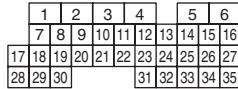
B12 (LIGHT GRAY)



B11 (LIGHT GRAY)

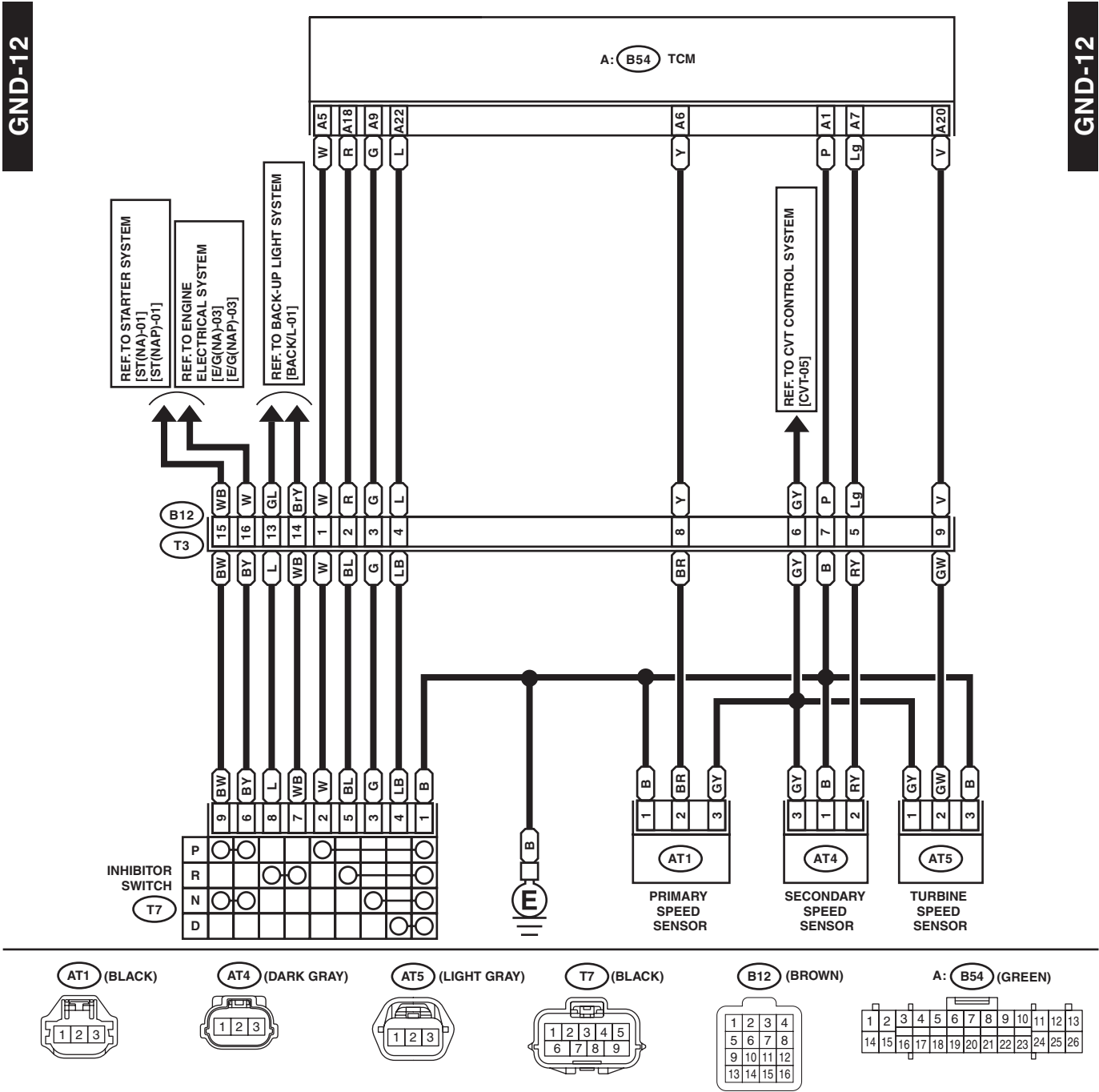


B: B55



WI-36132

5. TRANSMISSION GROUND (CVT MODEL)



GND-12

GND-12