

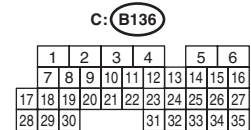
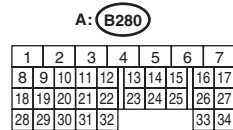
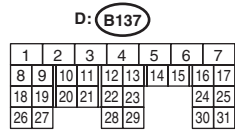
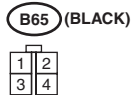
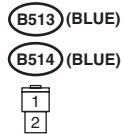
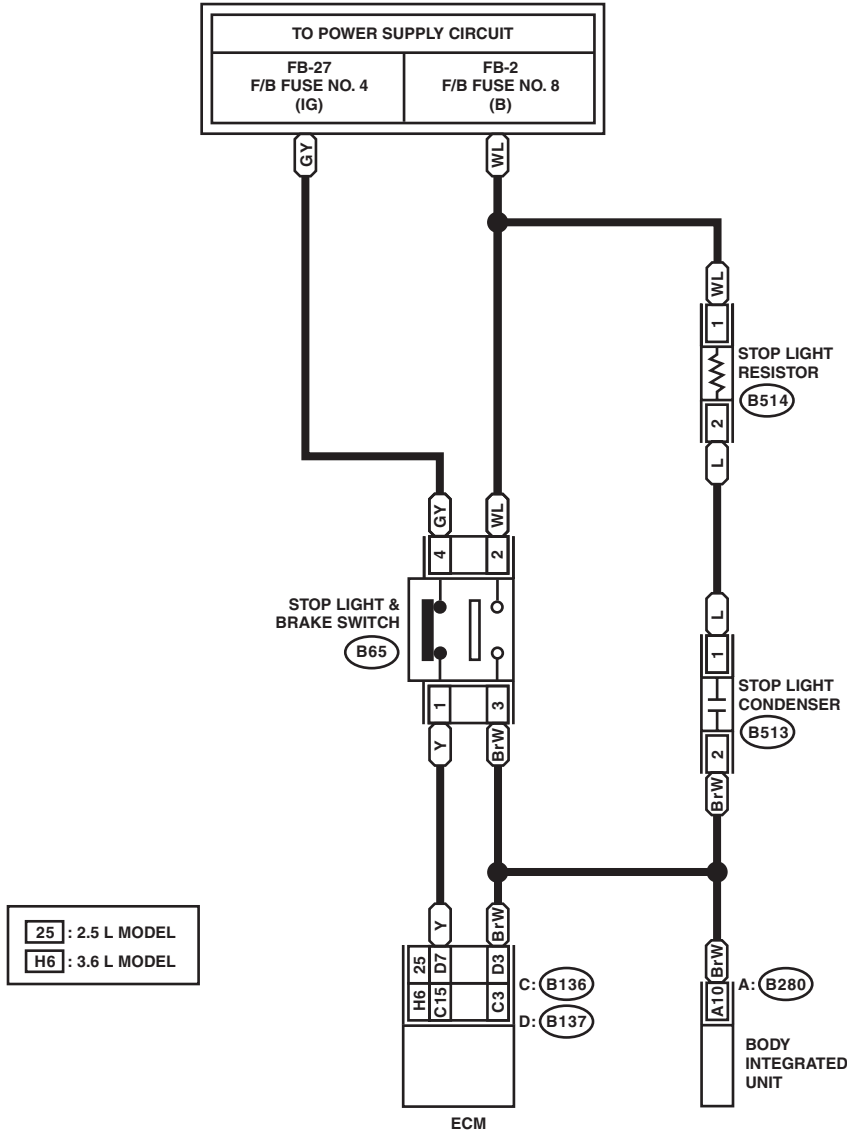
## 44. Remote Engine Start System

### A: WIRING DIAGRAM

#### 1. WITHOUT PUSH BUTTON START

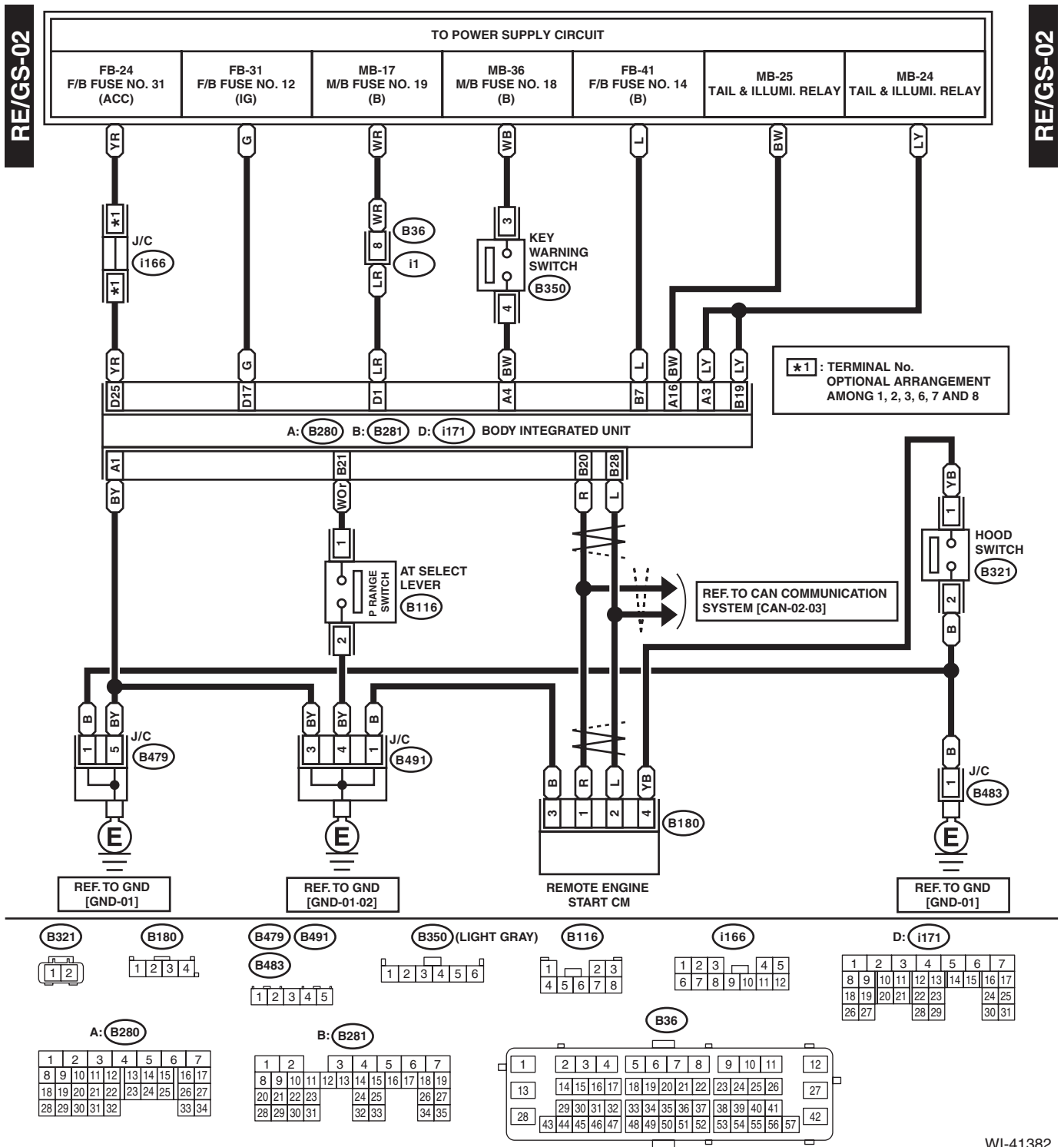
**RE/GS-01**

**RE/GS-01**



# Remote Engine Start System

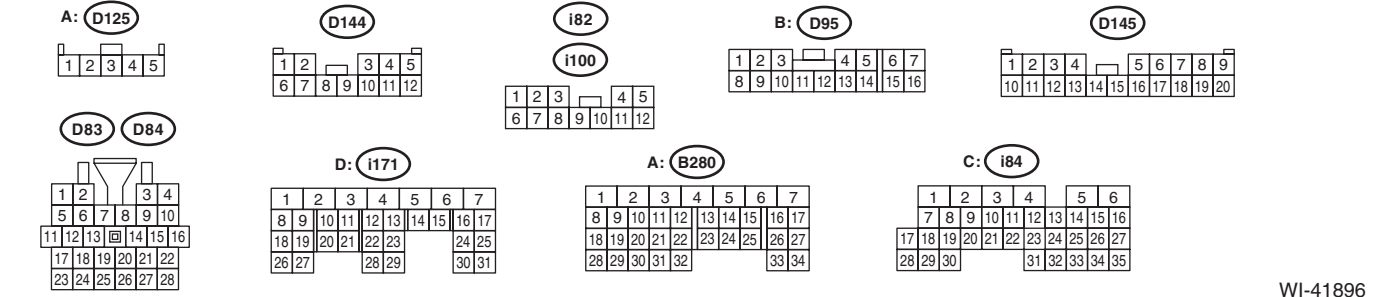
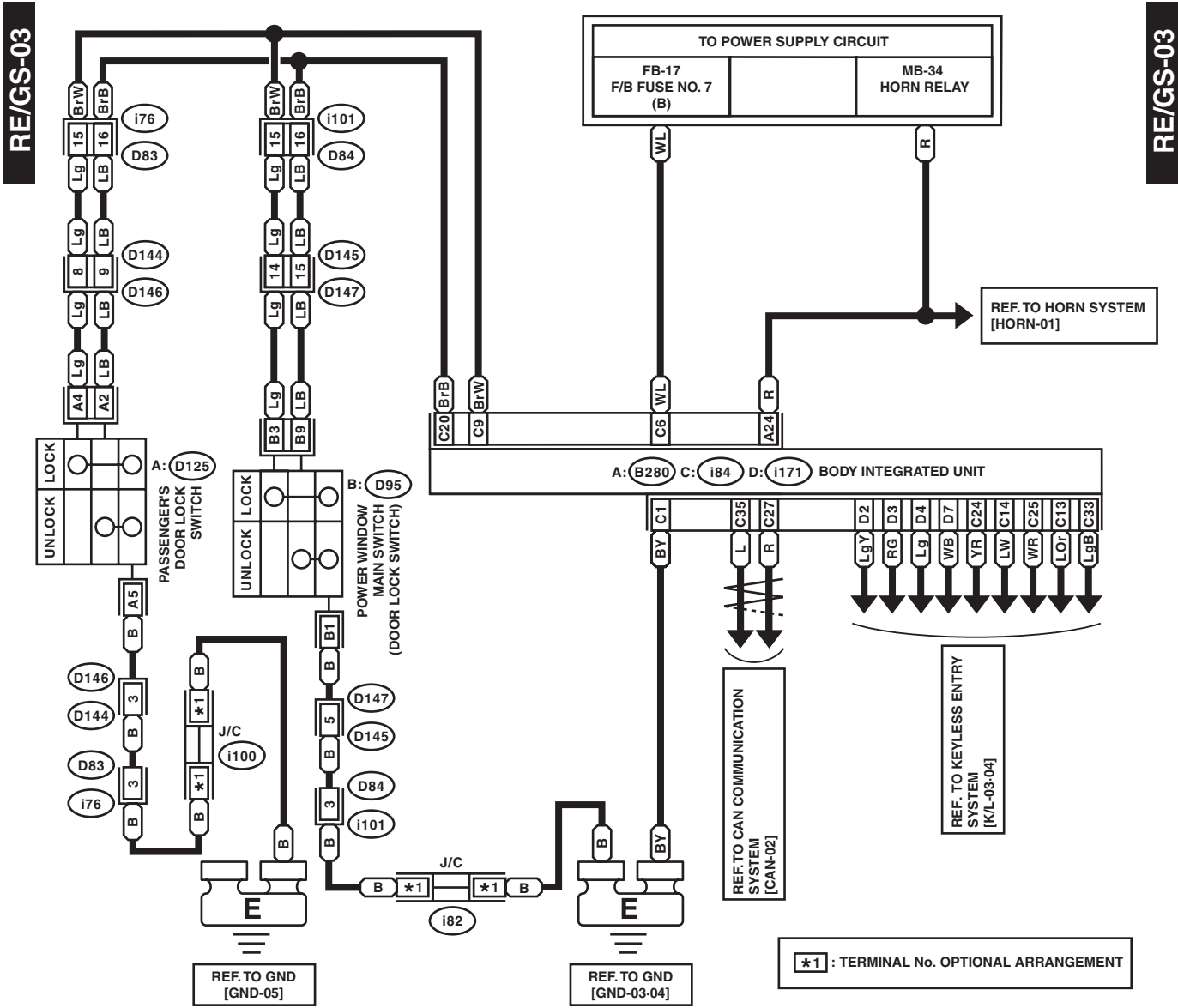
WIRING SYSTEM



WI-41382

# Remote Engine Start System

WIRING SYSTEM



WI-41896

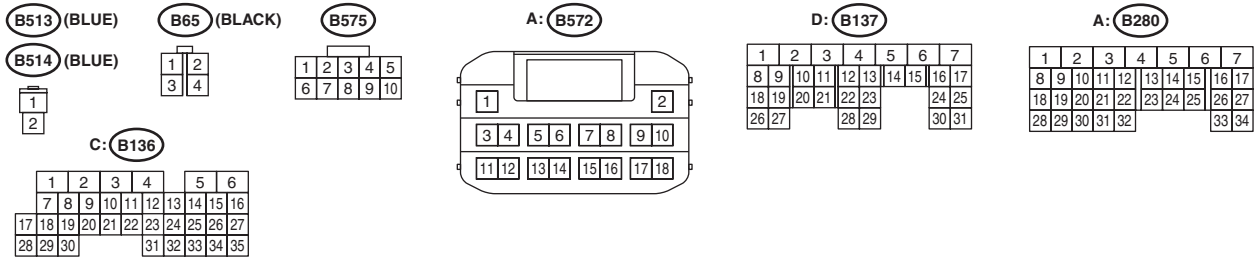
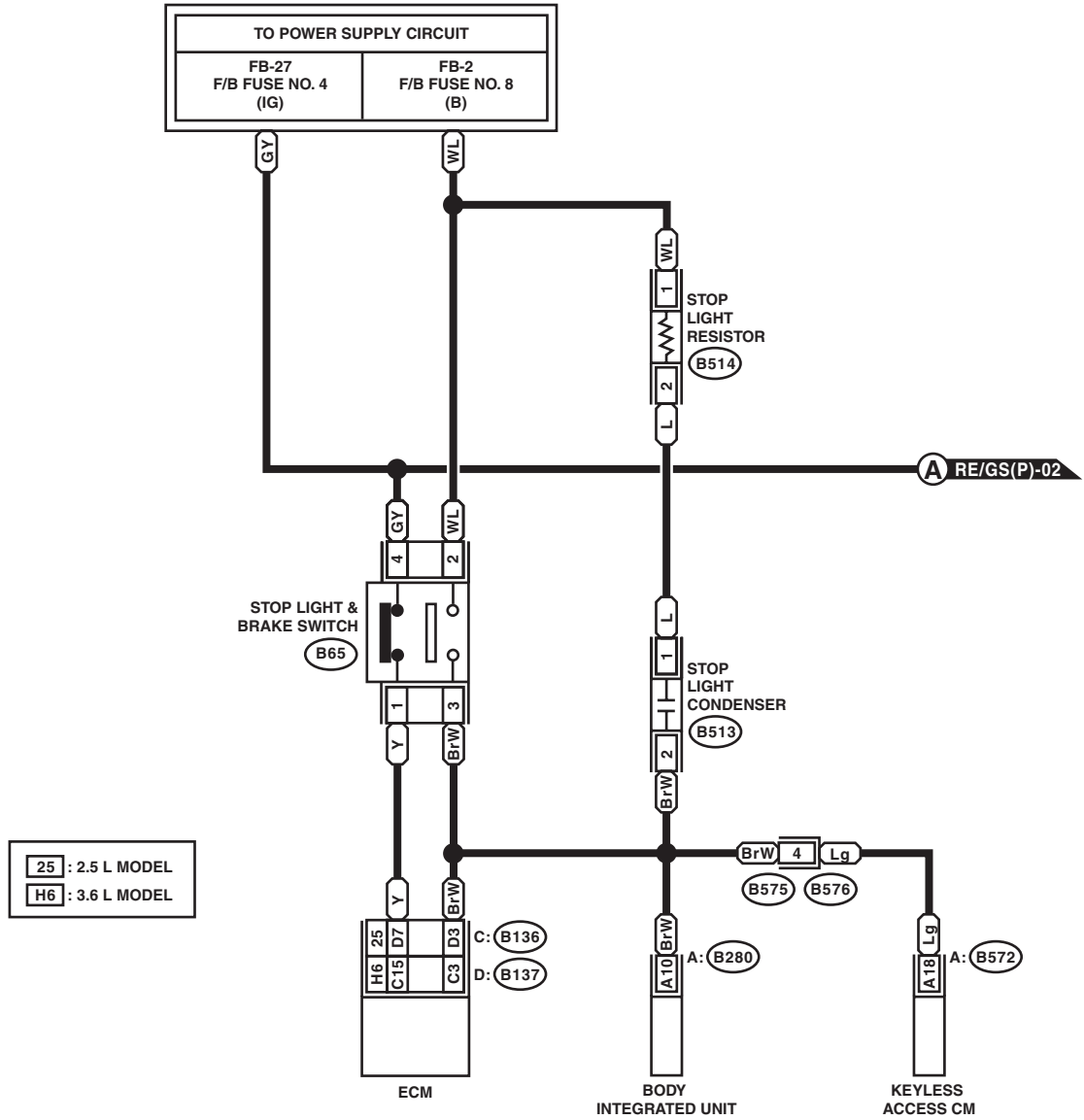
# Remote Engine Start System

WIRING SYSTEM

## 2. WITH PUSH BUTTON START

RE/GS(P)-01

RE/GS(P)-01



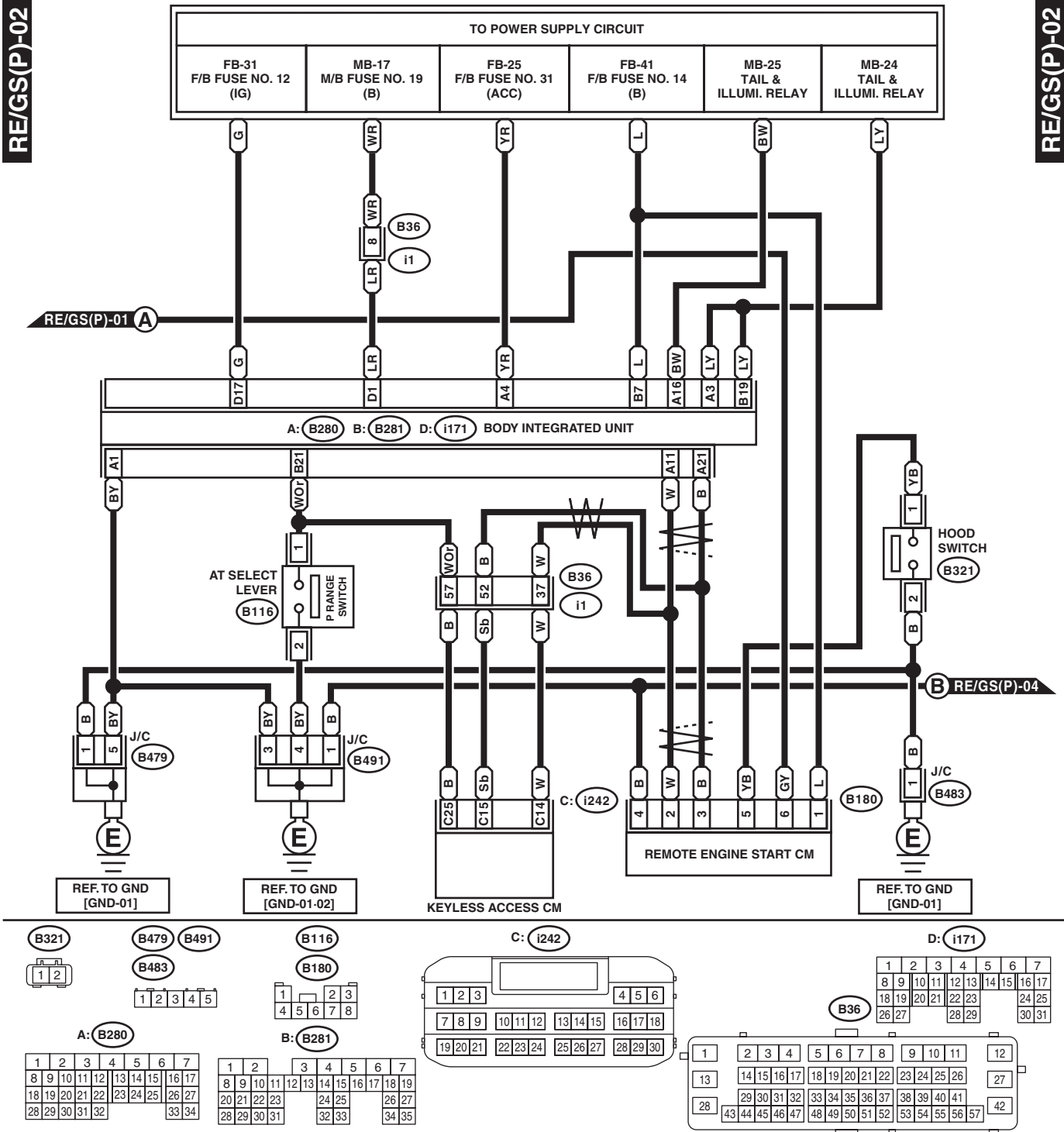
WI-41383

# Remote Engine Start System

WIRING SYSTEM

RE/GS(P)-02

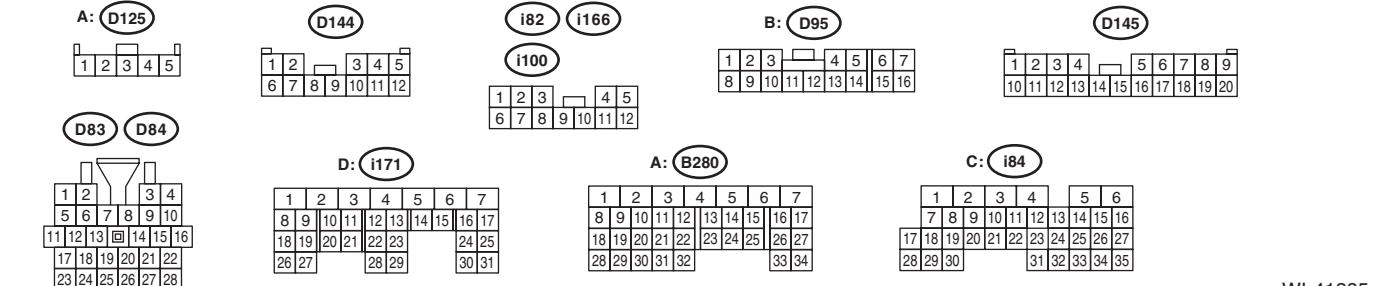
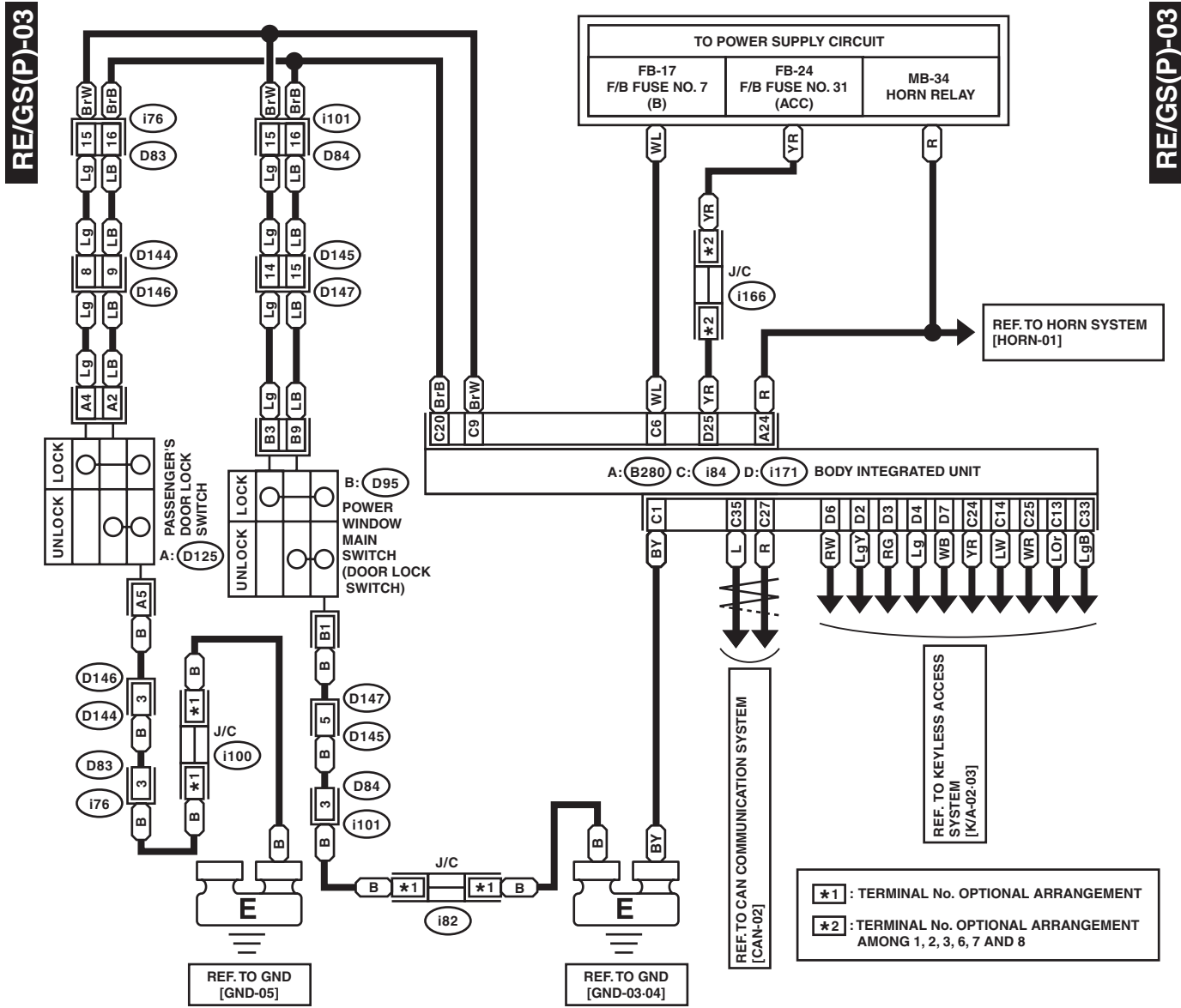
RE/GS(P)-02



WI-41384

# Remote Engine Start System

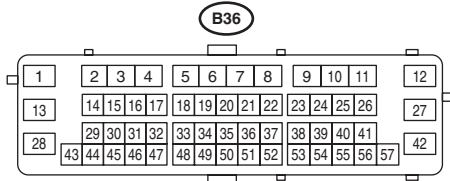
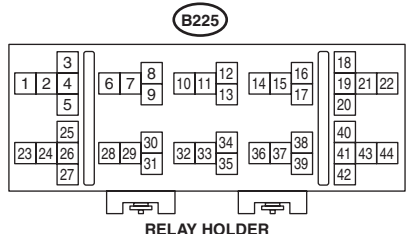
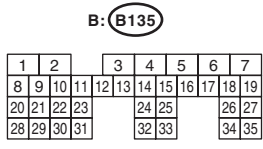
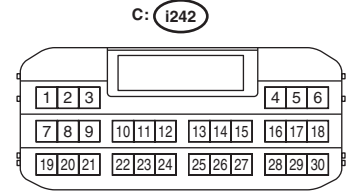
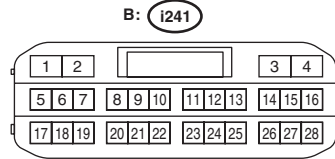
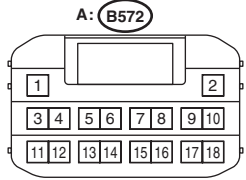
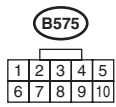
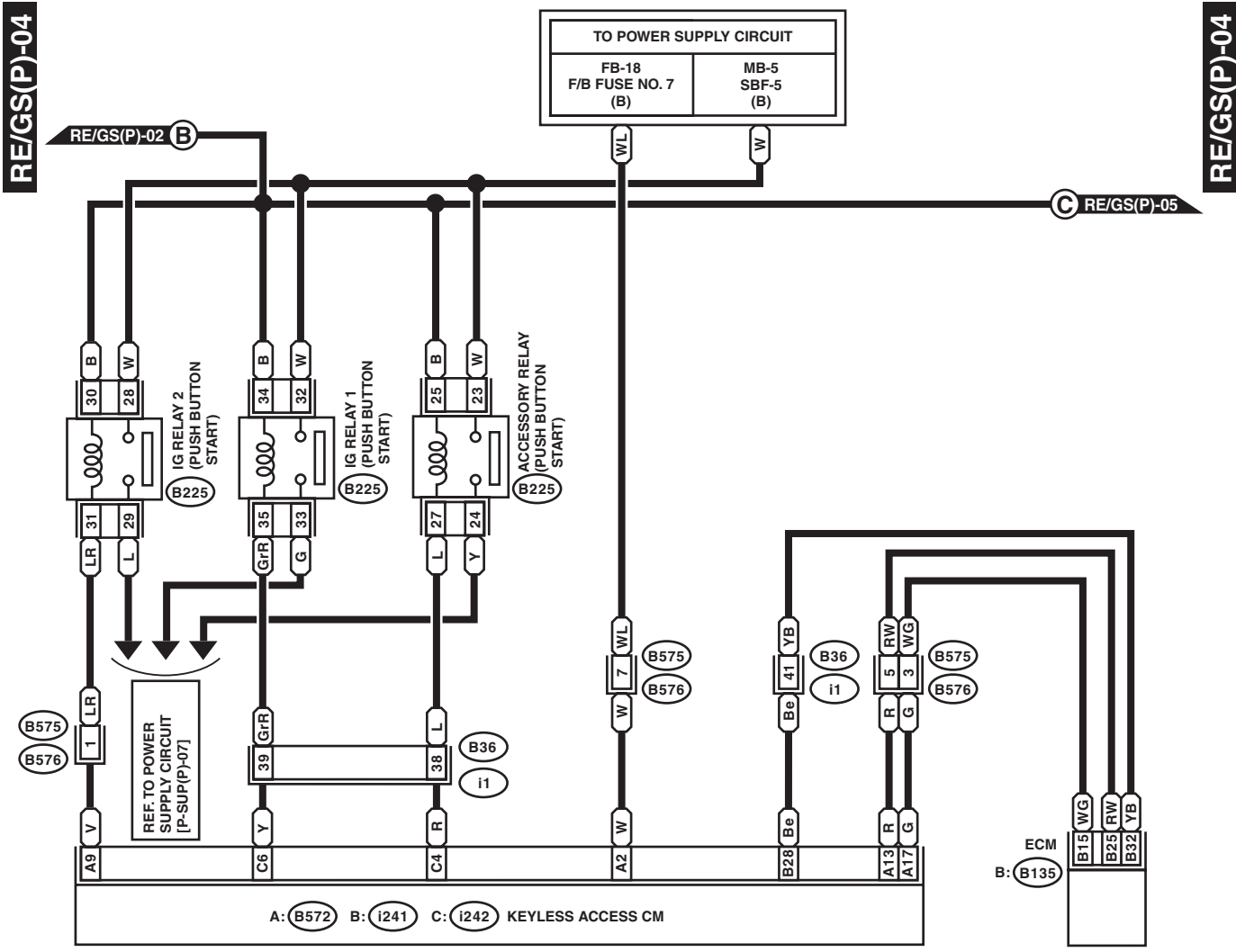
WIRING SYSTEM



WI-41385

# Remote Engine Start System

WIRING SYSTEM



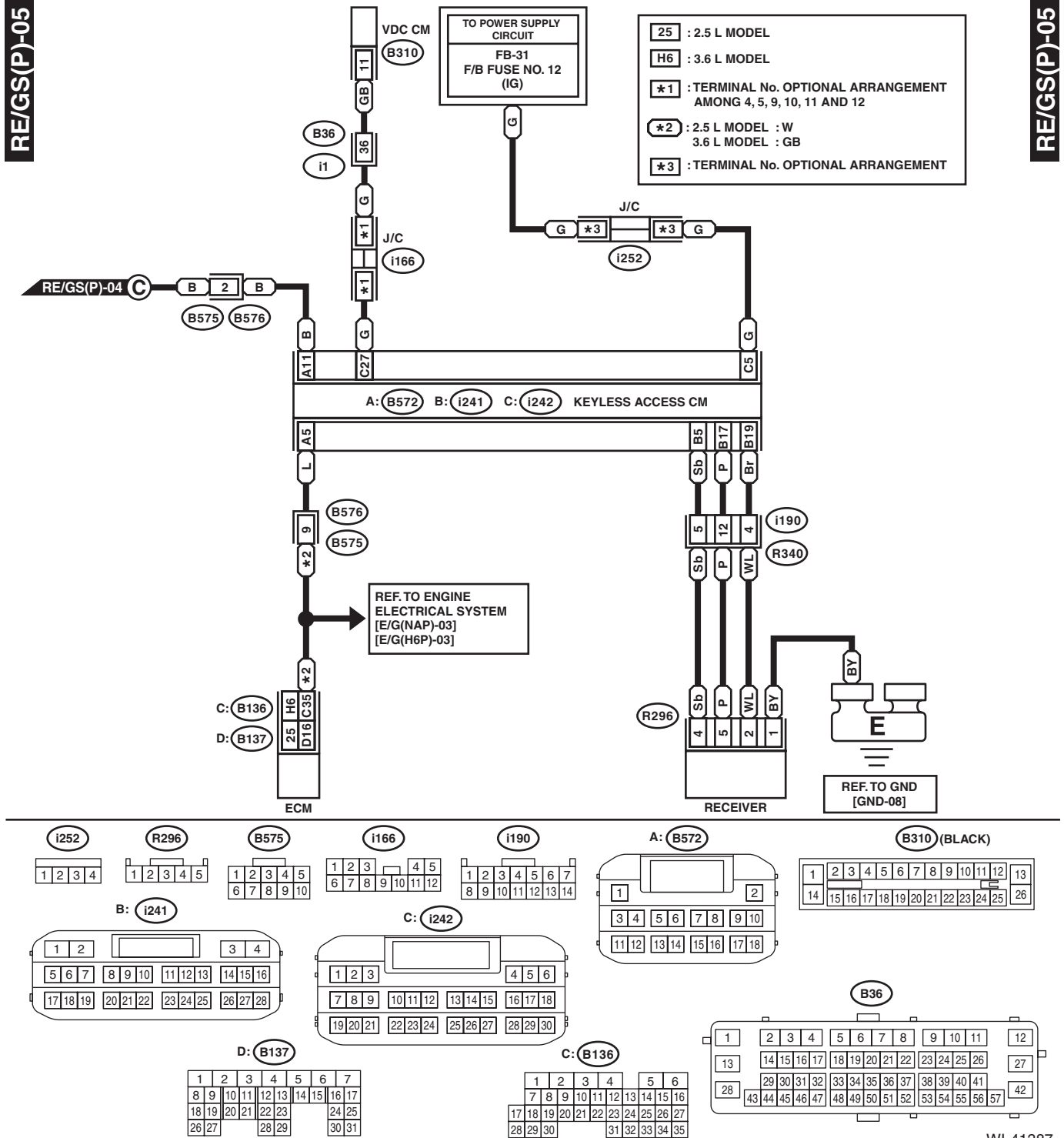
WI-41386

# Remote Engine Start System

WIRING SYSTEM

RE/GS(P)-05

RE/GS(P)-05



WI-41387