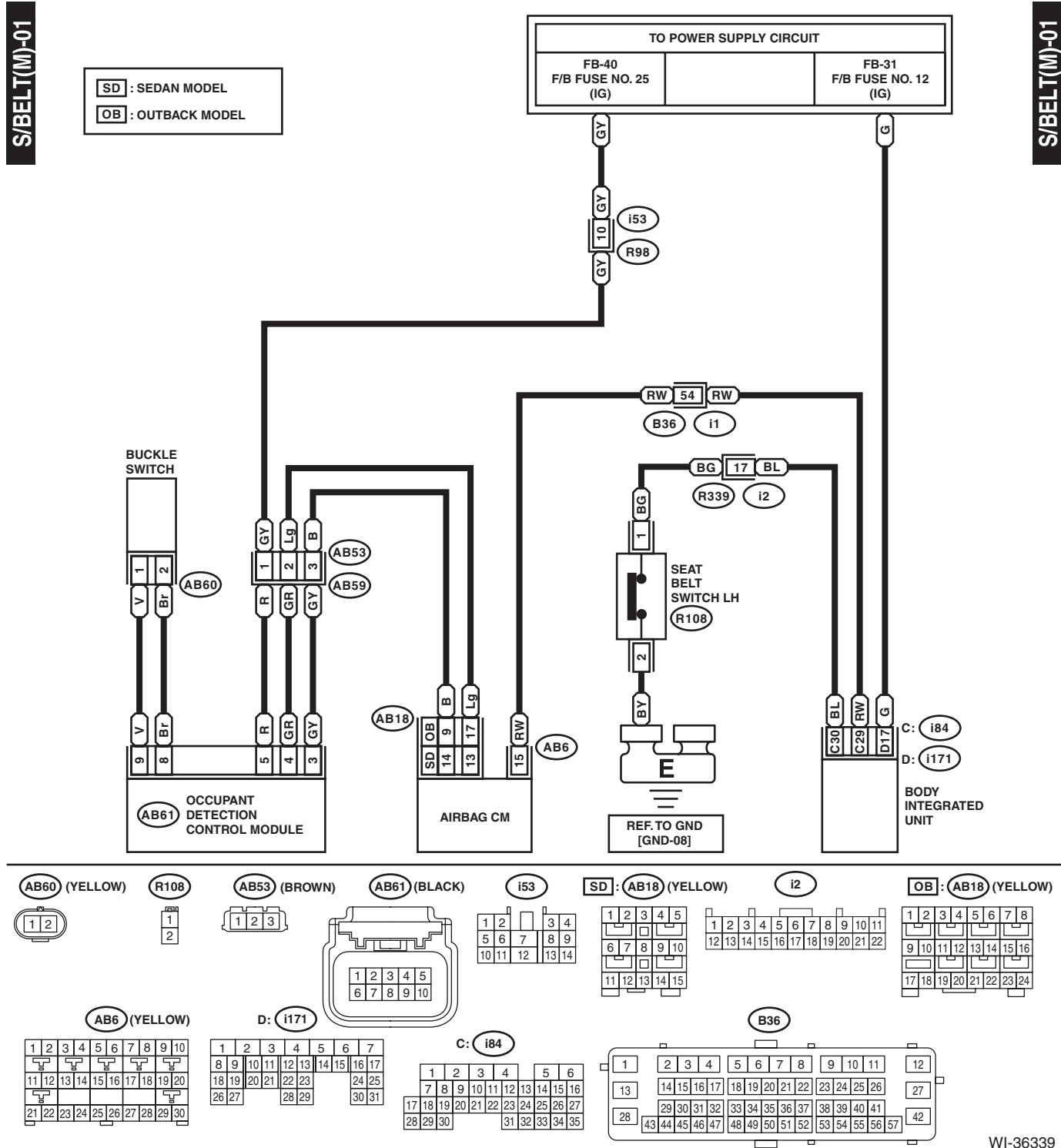


## 45. Seat Belt Warning System

### A: WIRING DIAGRAM

#### 1. MANUAL SEAT MODEL

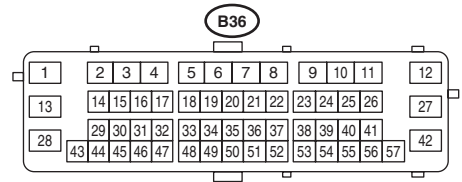
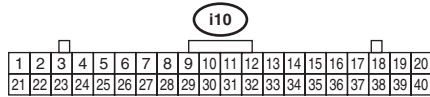
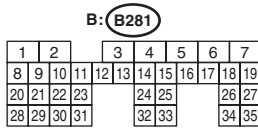
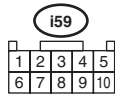
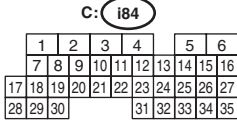
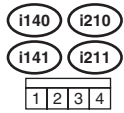
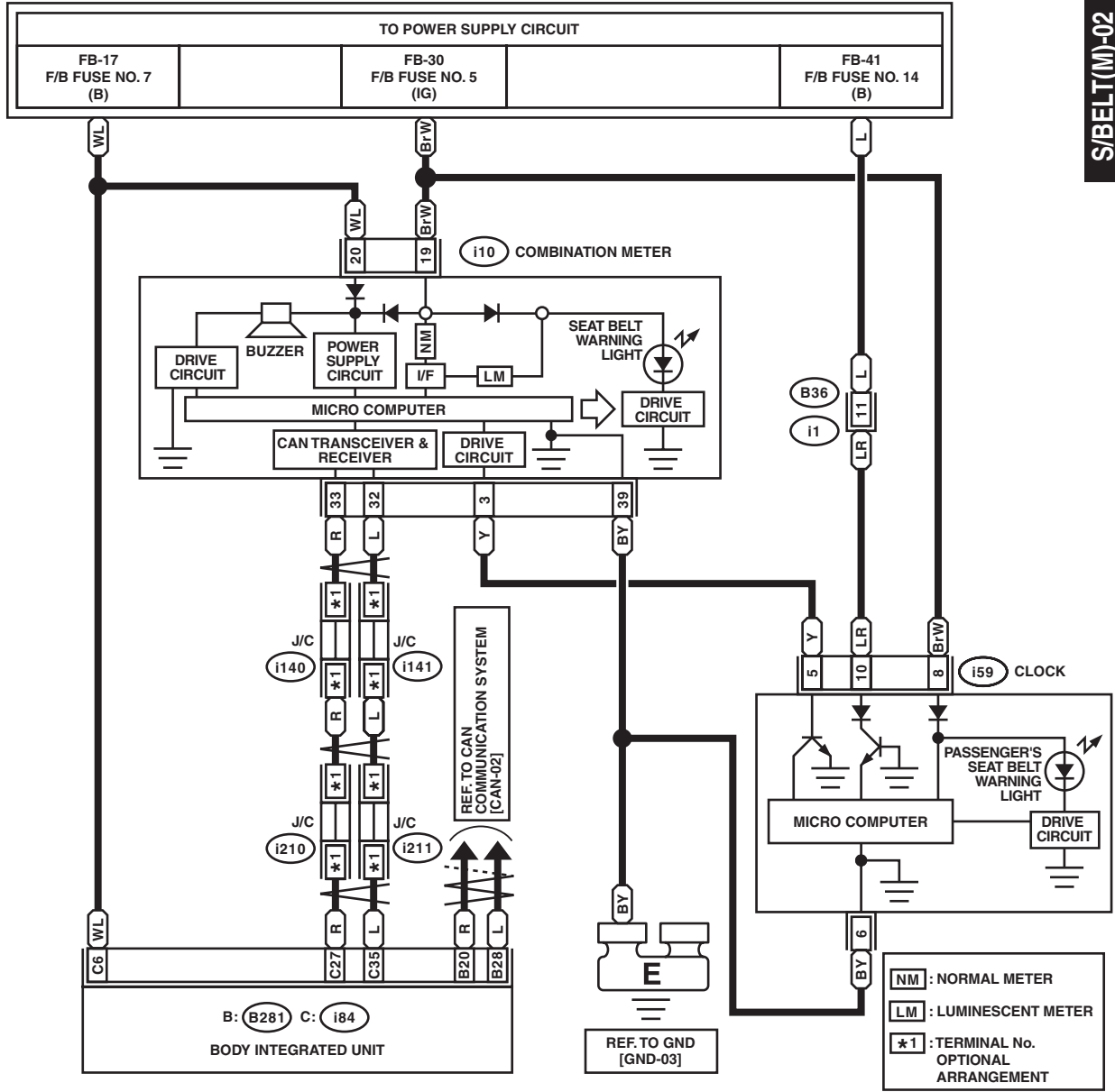


# Seat Belt Warning System

WIRING SYSTEM

S/BELT(M)-02

S/BELT(M)-02



WI-36340

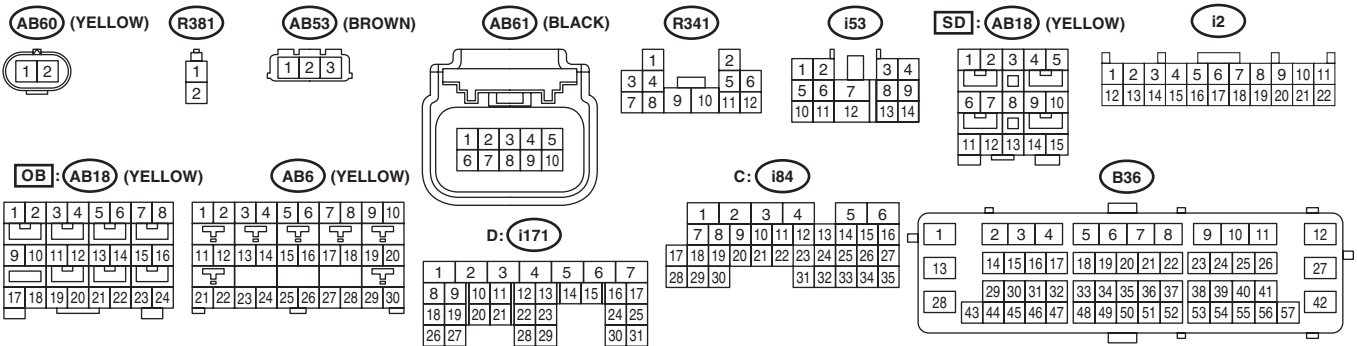
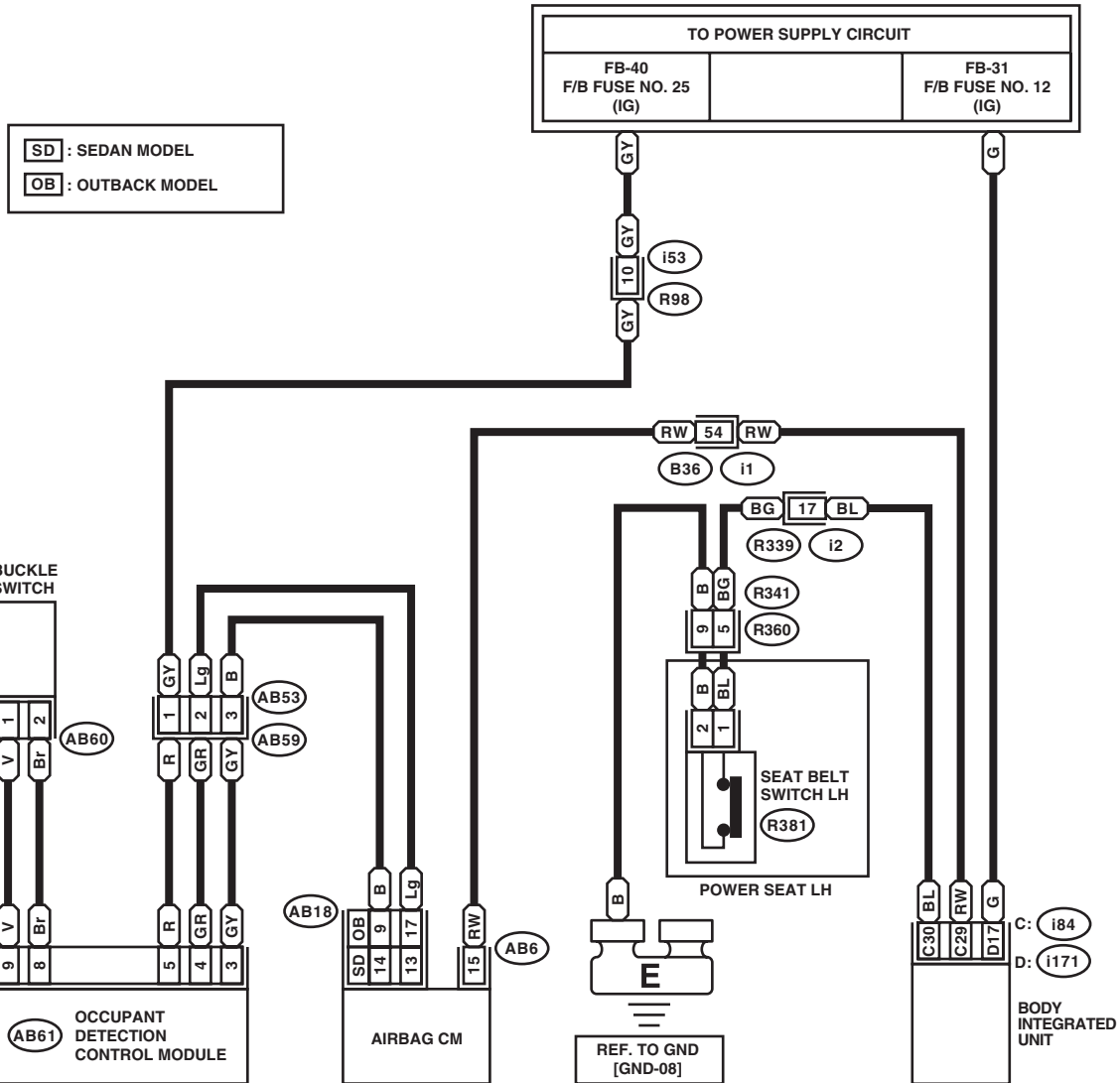
# Seat Belt Warning System

WIRING SYSTEM

## 2. MODEL WITH POWER SEATS

S/BELT(P)-01

S/BELT(P)-01



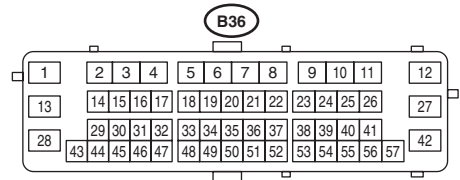
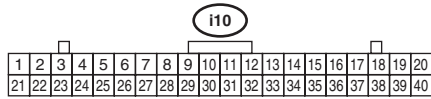
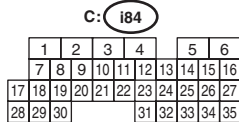
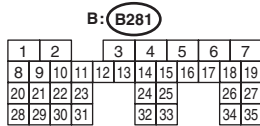
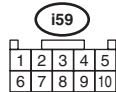
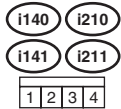
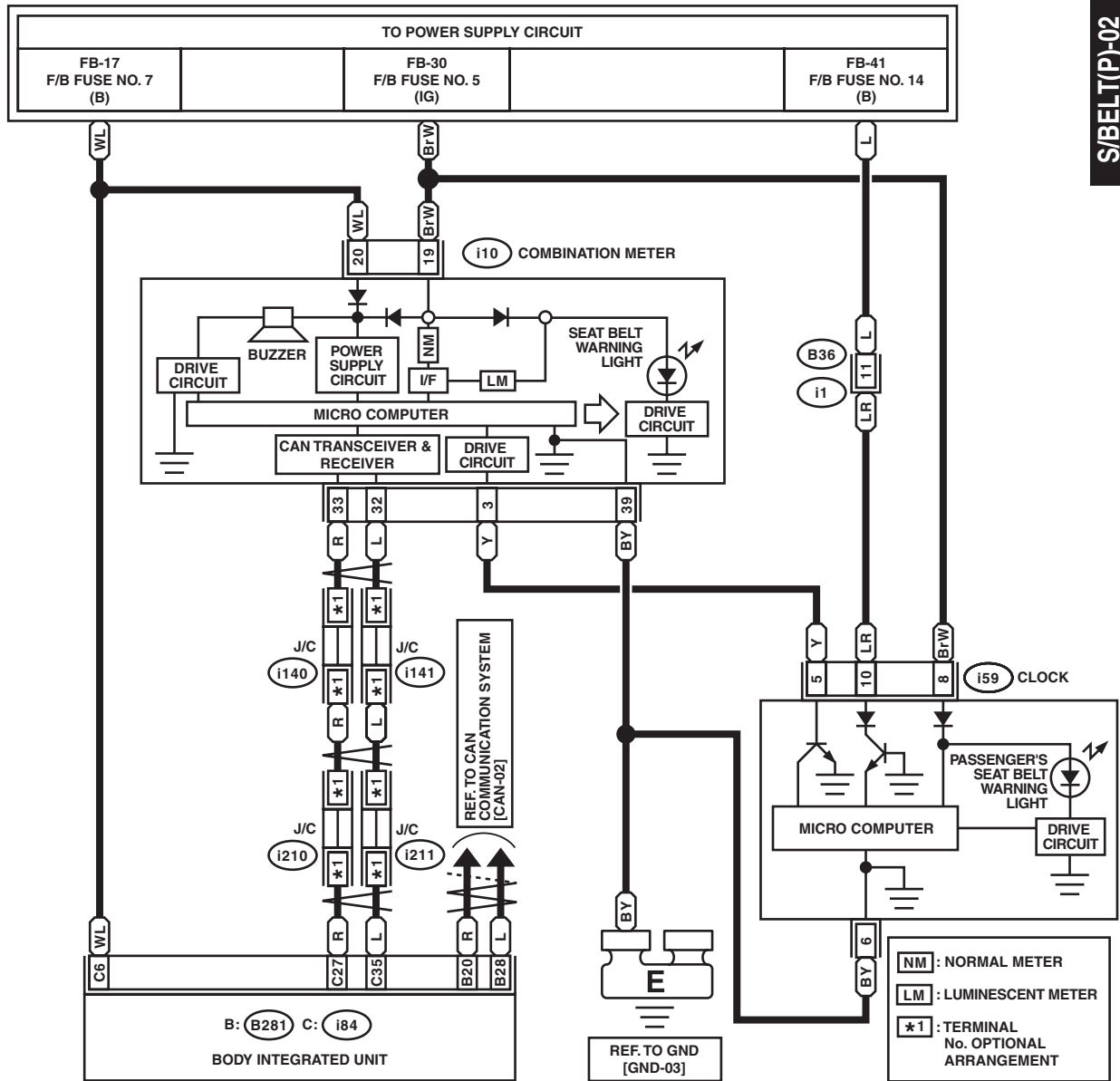
WI-36341

# Seat Belt Warning System

WIRING SYSTEM

S/BELT(P)-02

S/BELT(P)-02



WI-36342