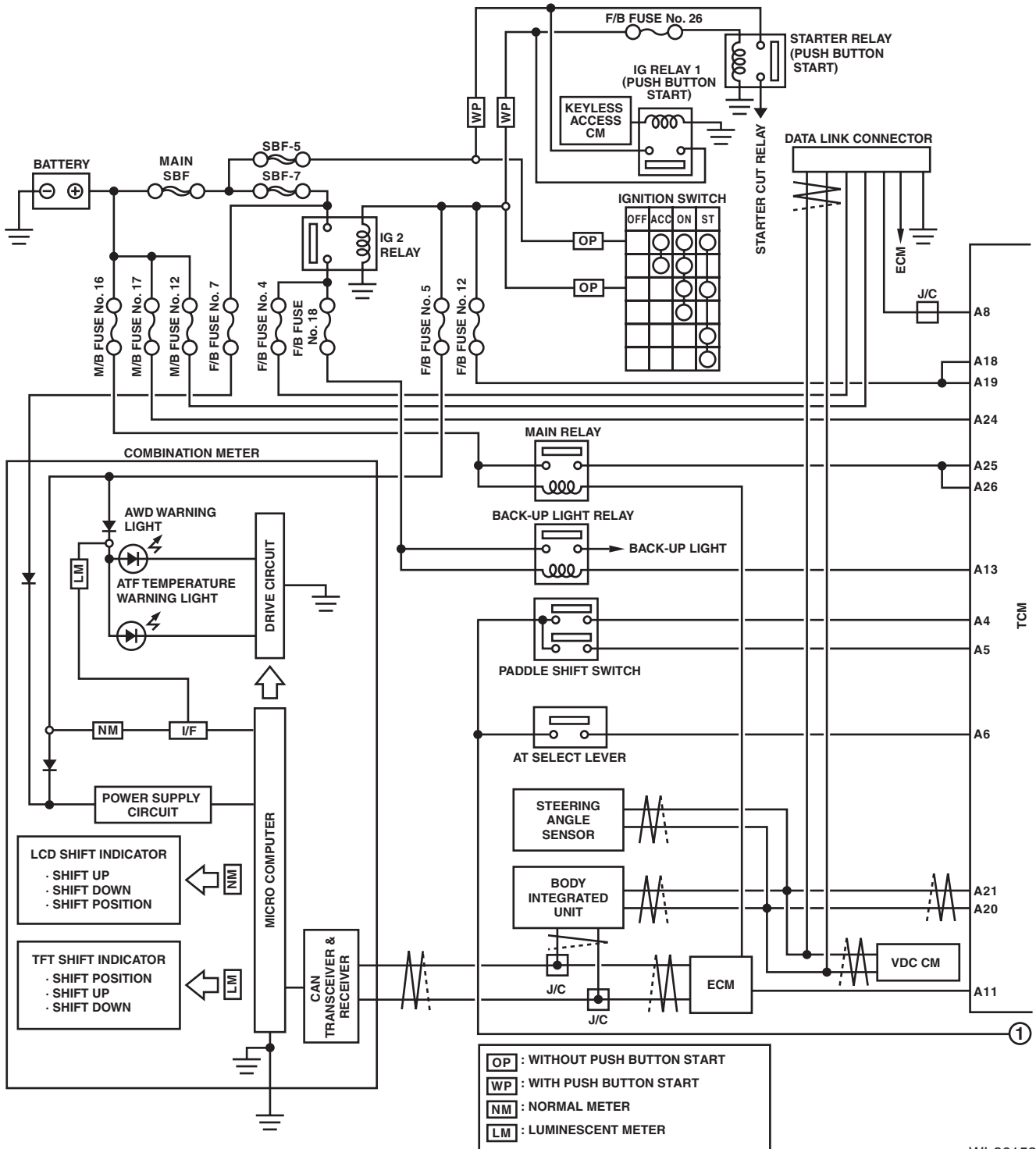


# AT Control System

## WIRING SYSTEM

### 7. AT Control System

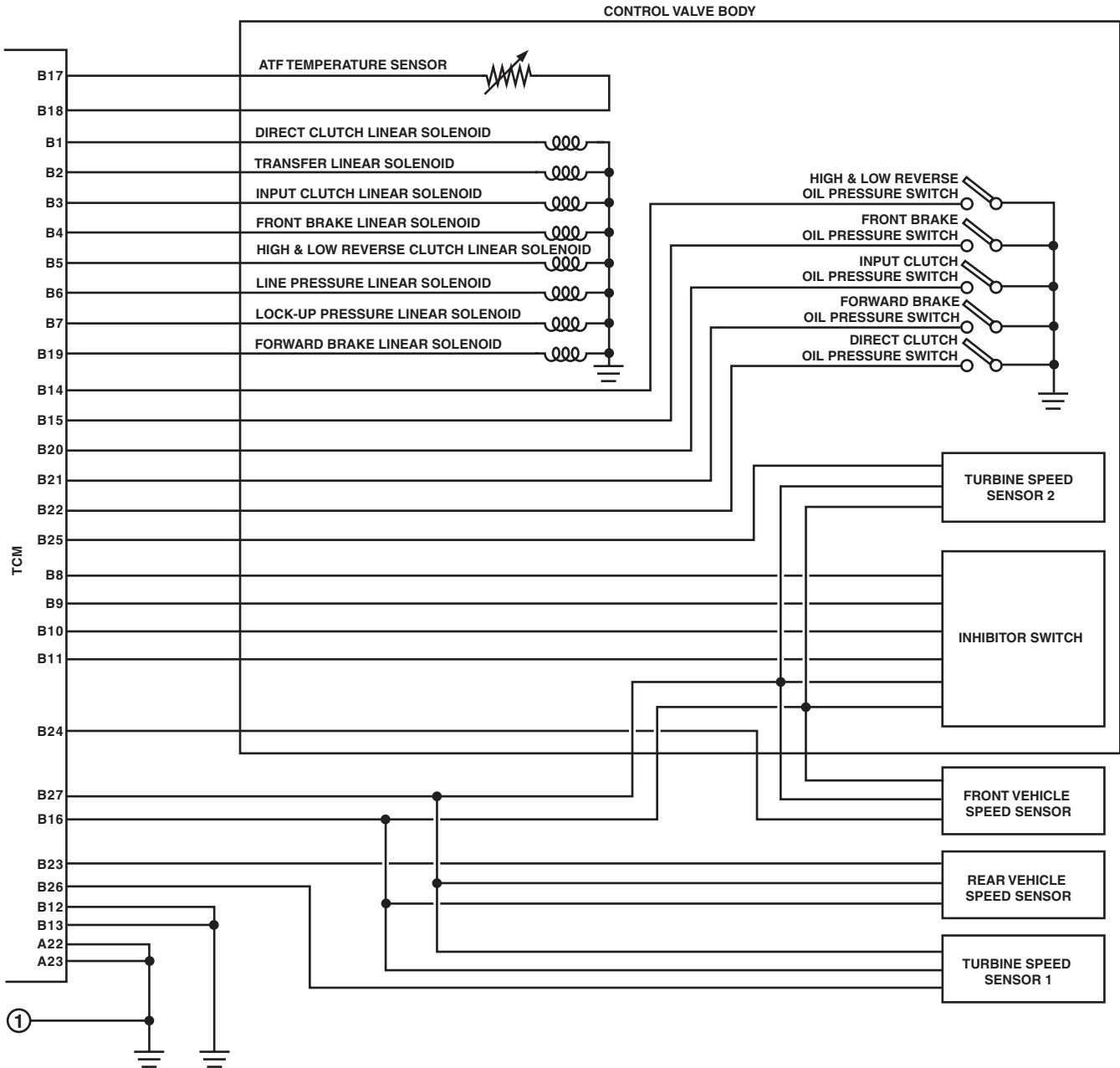
#### A: WIRING DIAGRAM



WI-36153

# AT Control System

## WIRING SYSTEM



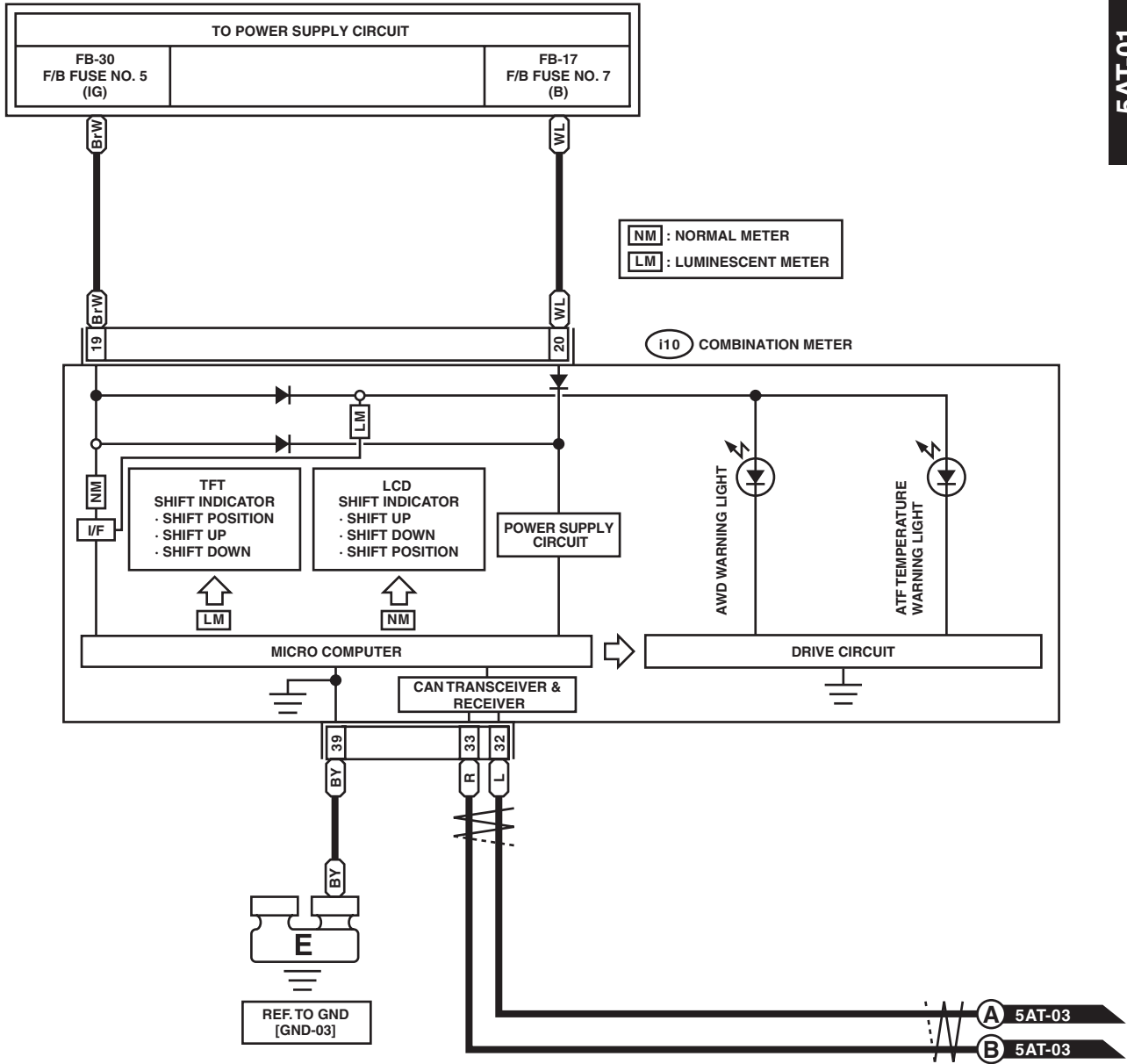
WI-25427

# AT Control System

## WIRING SYSTEM

5AT-01

5AT-01



**i10**

1	2	3	4	5	6	7	8	9	10	11	12	13	14	15	16	17	18	19	20
21	22	23	24	25	26	27	28	29	30	31	32	33	34	35	36	37	38	39	40

WI-36154

# AT Control System

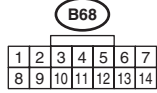
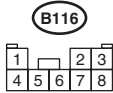
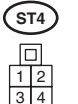
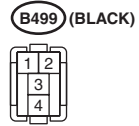
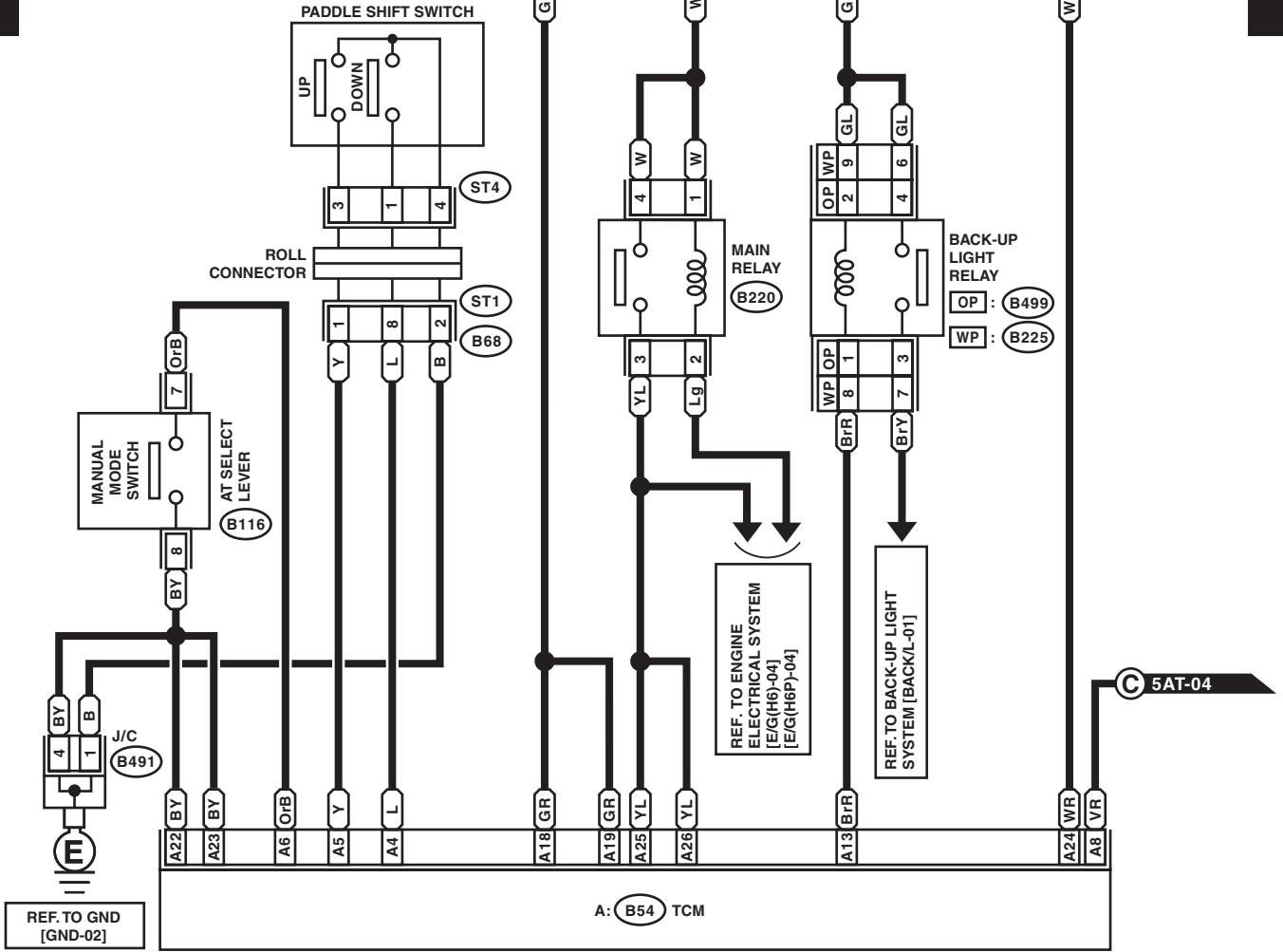
WIRING SYSTEM

5AT-02

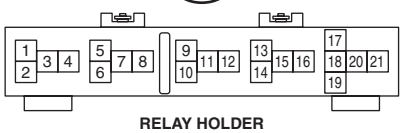
5AT-02

OP : WITHOUT PUSH BUTTON START  
 WP : WITH PUSH BUTTON START

TO POWER SUPPLY CIRCUIT			
FB-32 F/B FUSE NO. 12 (IG)	MB-37 M/B FUSE NO. 16 (B)	FB-29 F/B FUSE NO. 18 (IG)	MB-43 M/B FUSE NO. 17 (B)



B220 (BLACK)

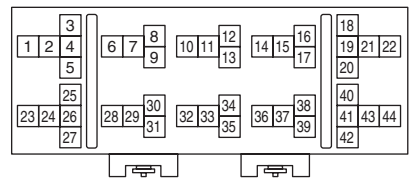


RELAY HOLDER

A: B54



B225

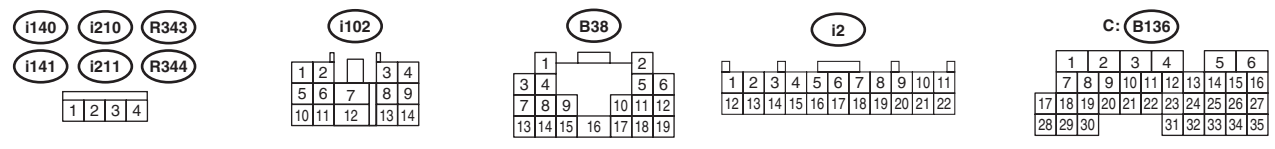
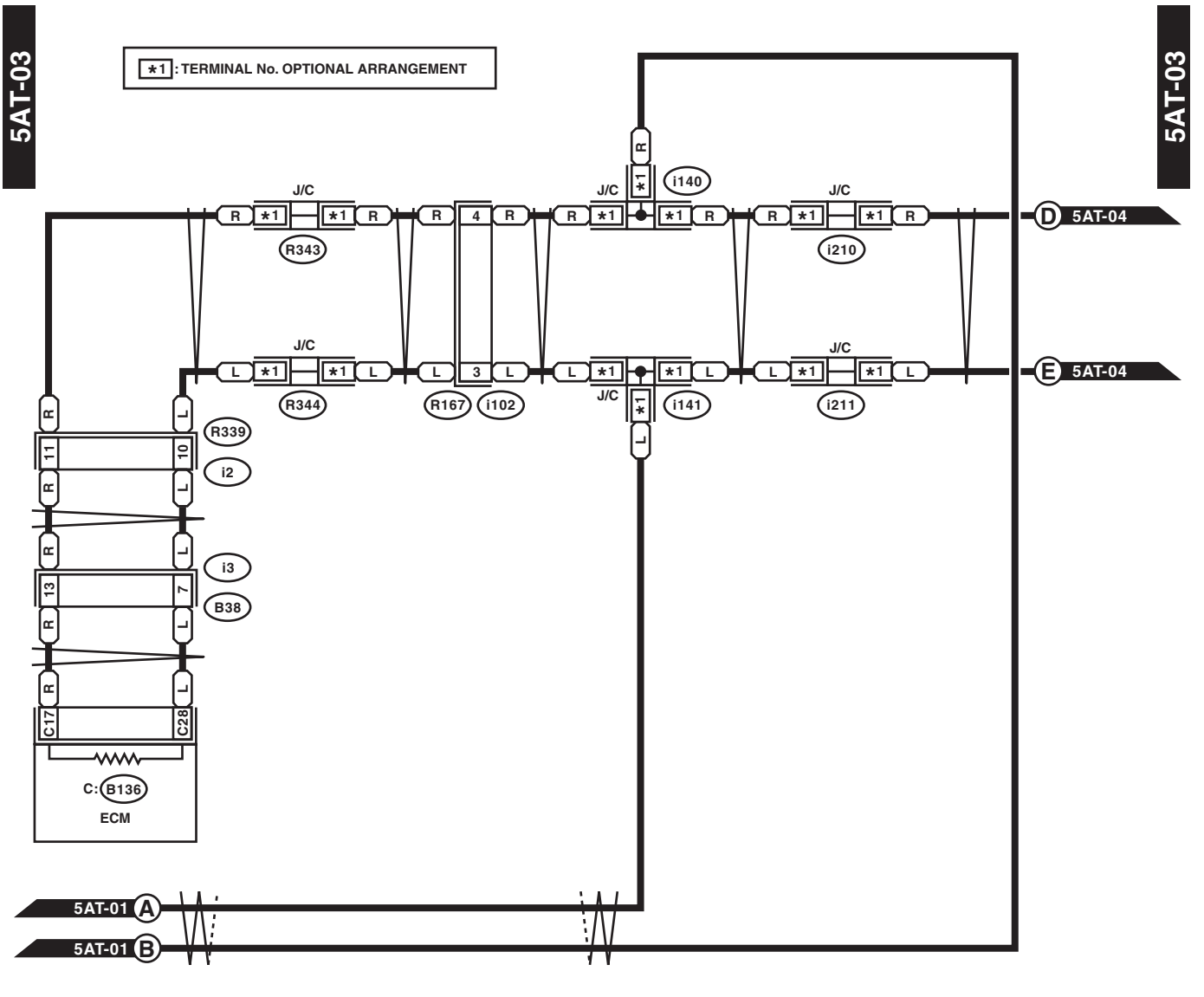


RELAY HOLDER

WI-41472

# AT Control System

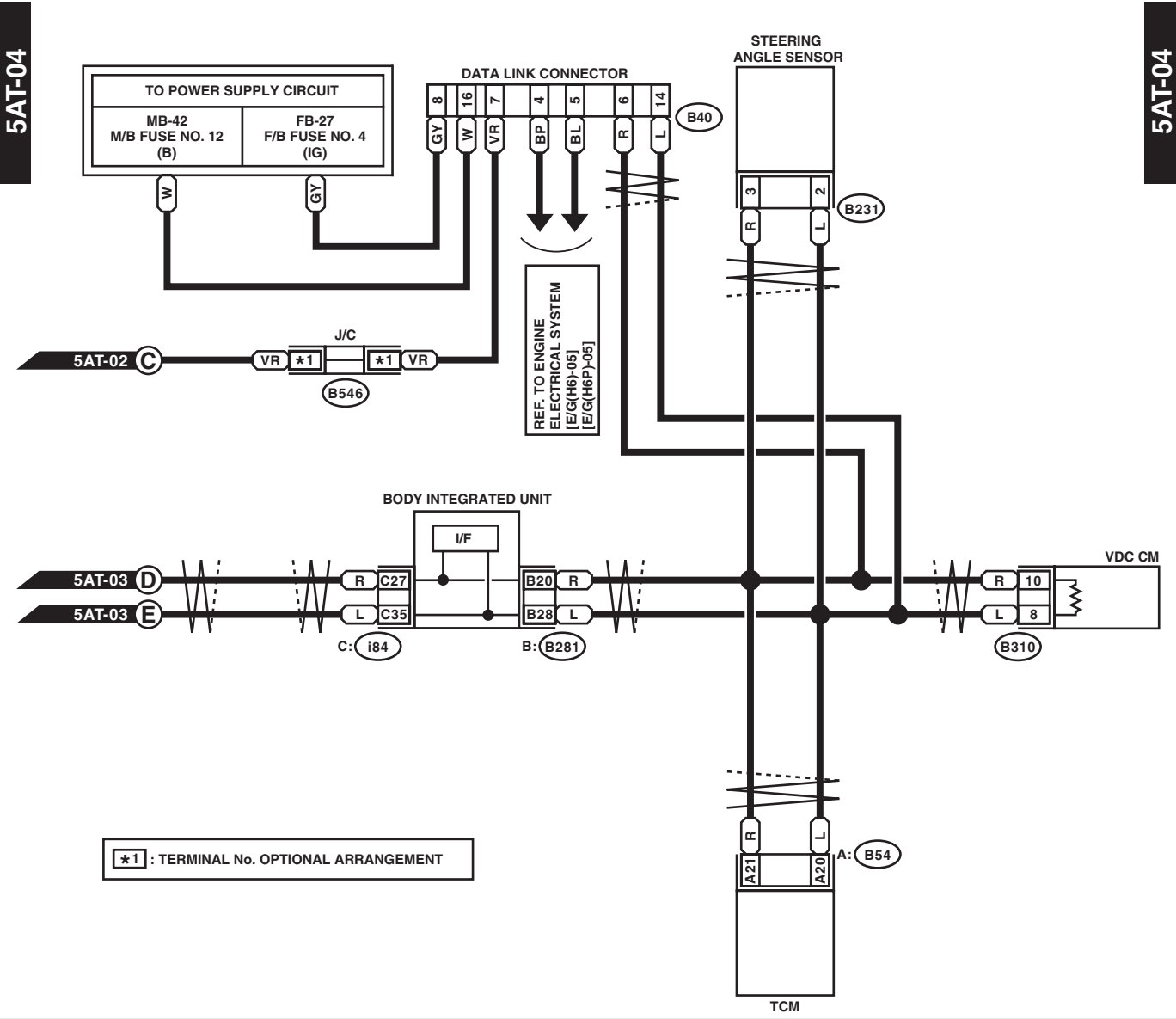
## WIRING SYSTEM



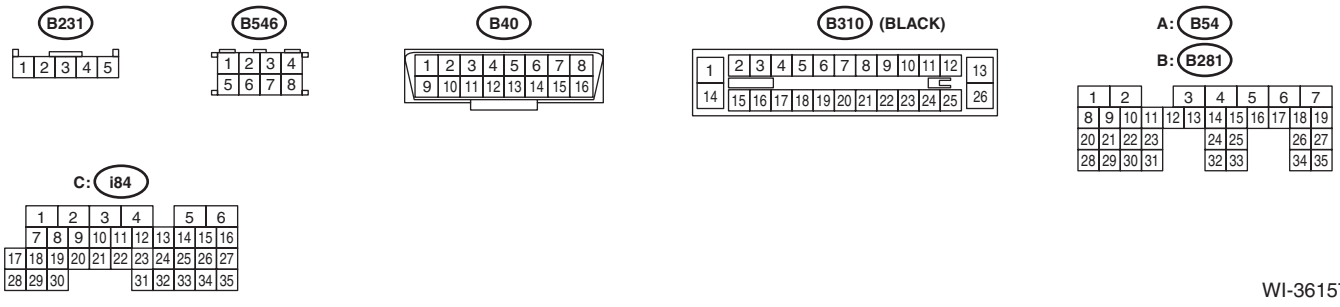
WI-36156

# AT Control System

WIRING SYSTEM



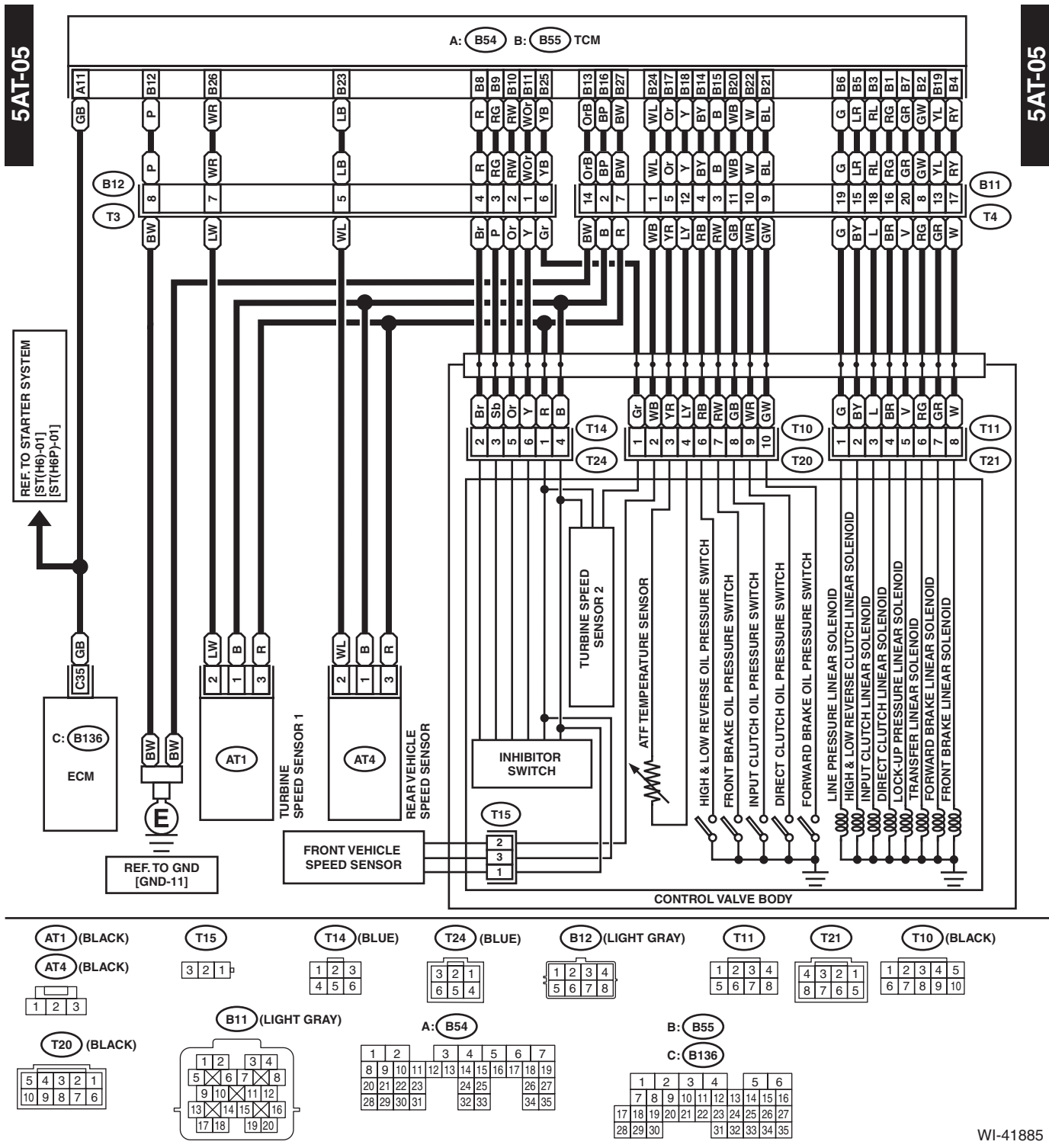
**5AT-04**



WI-36157

# AT Control System

## WIRING SYSTEM



WI-41885