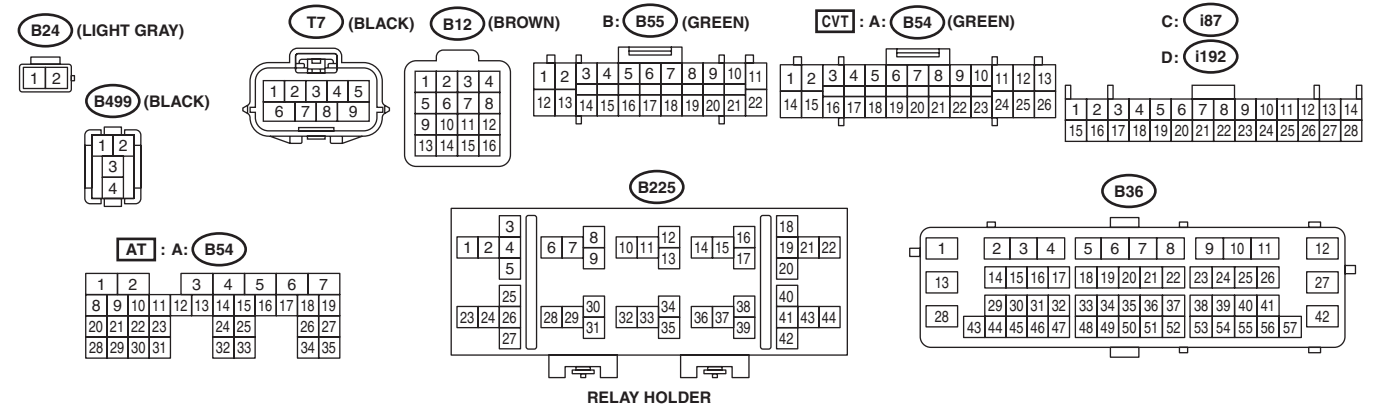
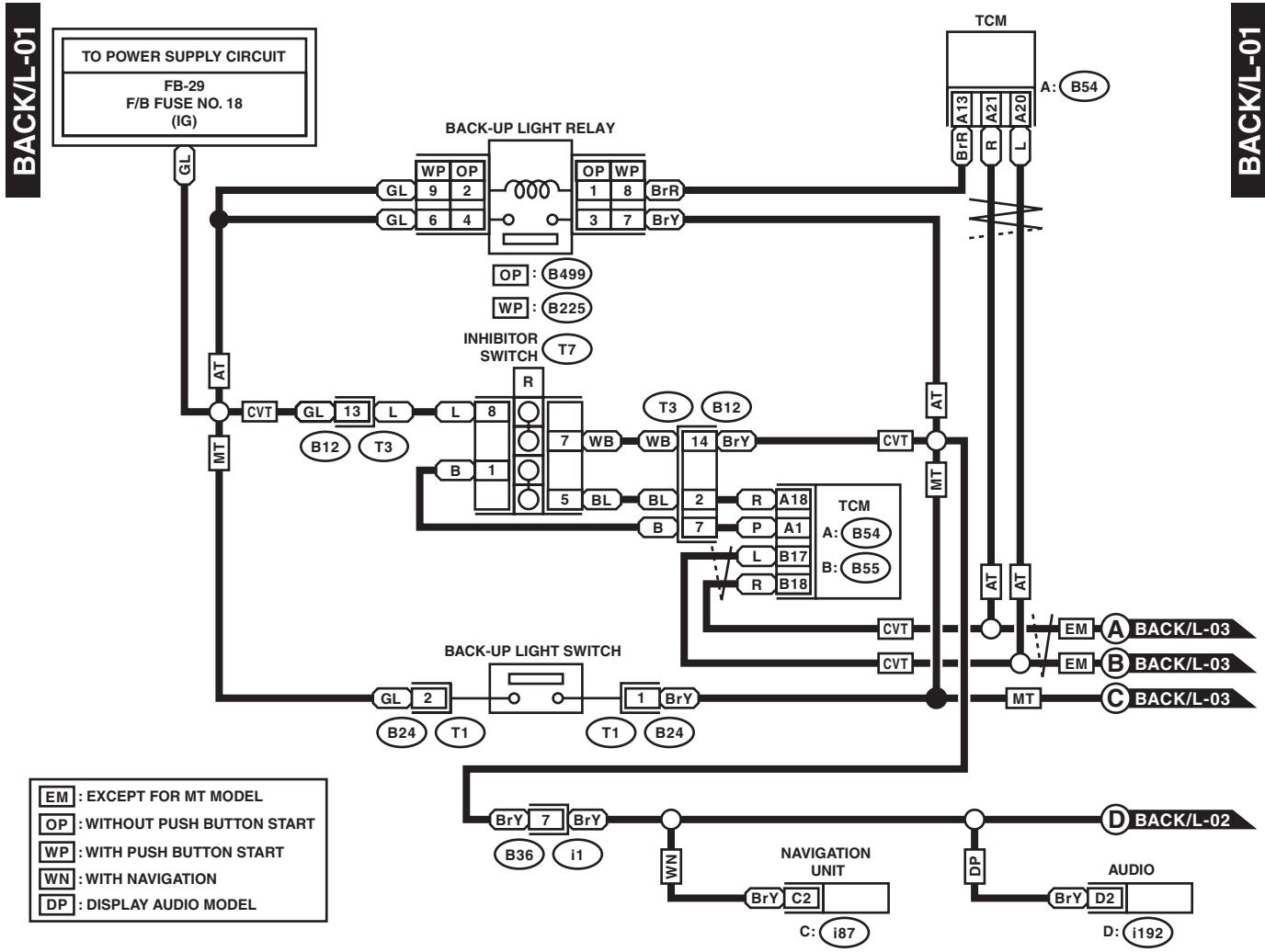


Back-up Light System

WIRING SYSTEM

9. Back-up Light System

A: WIRING DIAGRAM



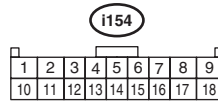
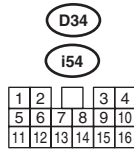
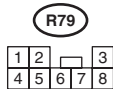
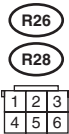
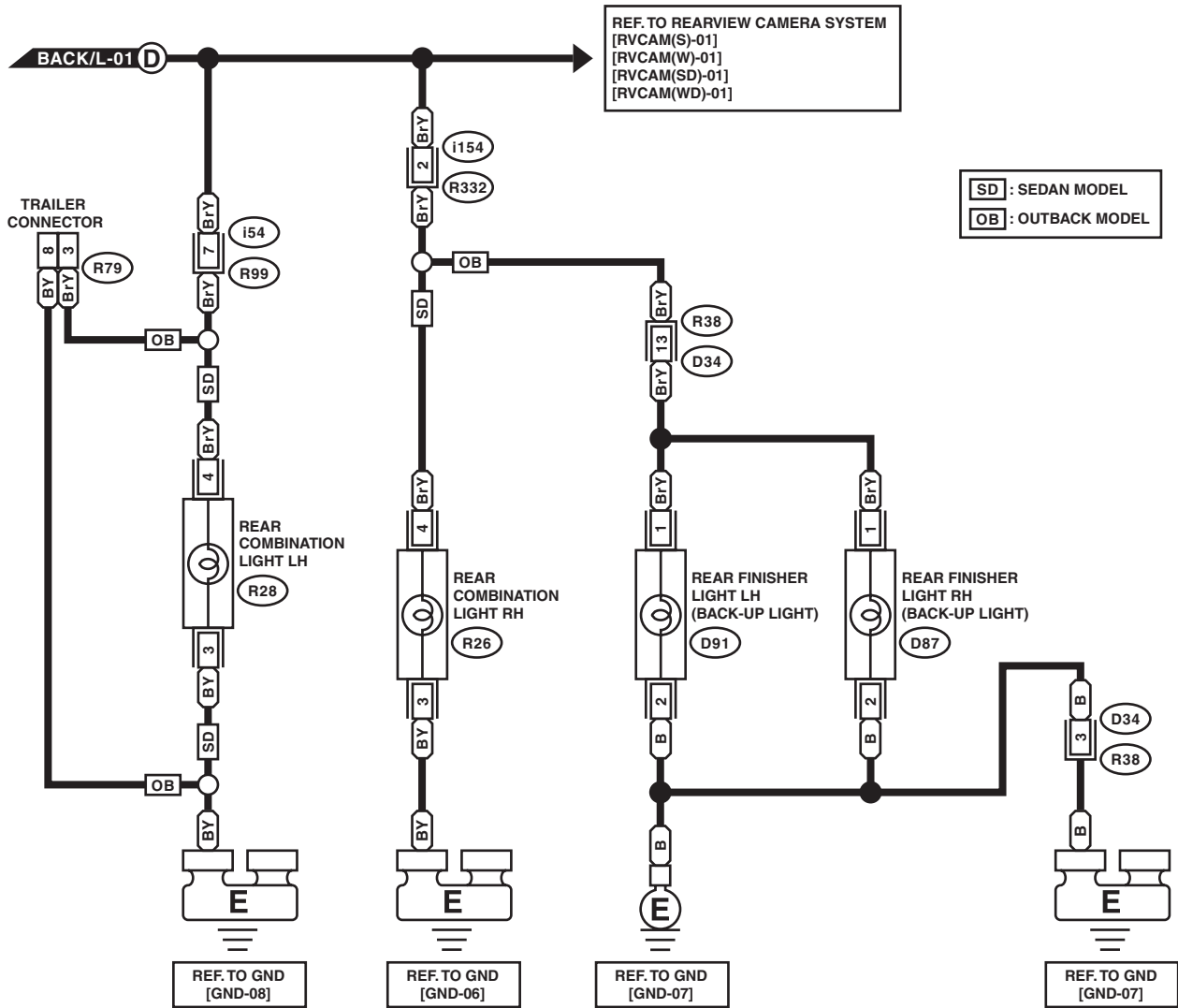
WI-41324

Back-up Light System

WIRING SYSTEM

BACK/L-02

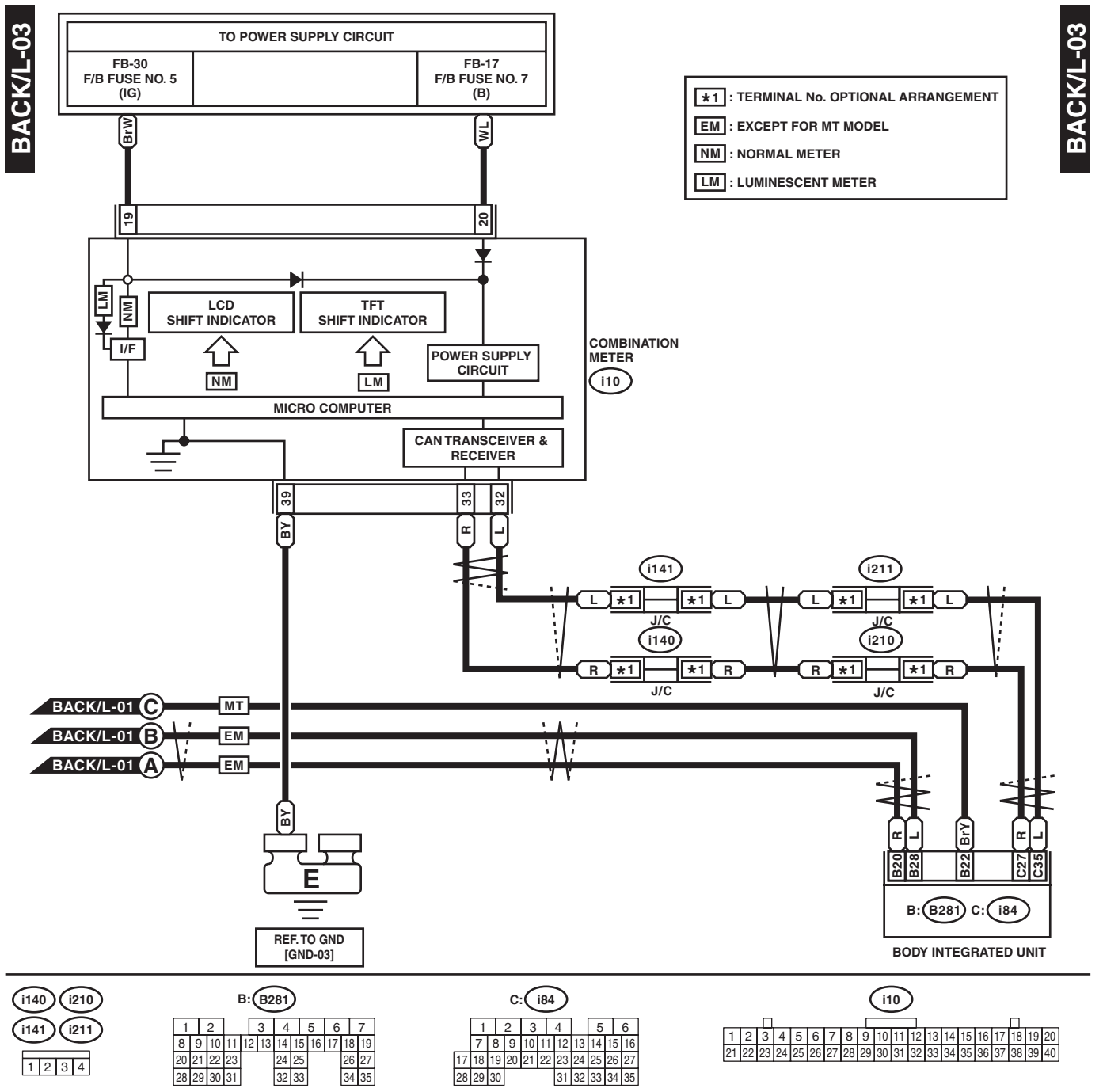
BACK/L-02



WI-41325

Back-up Light System

WIRING SYSTEM



WI-42057