

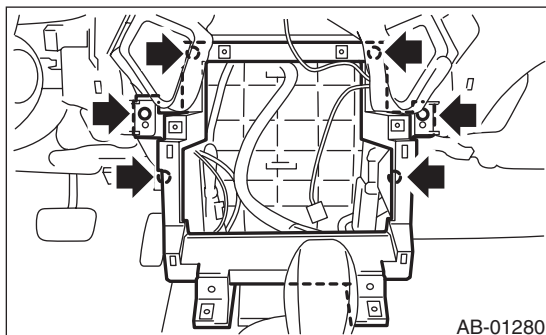
## 8. Airbag Control Module

### A: REMOVAL

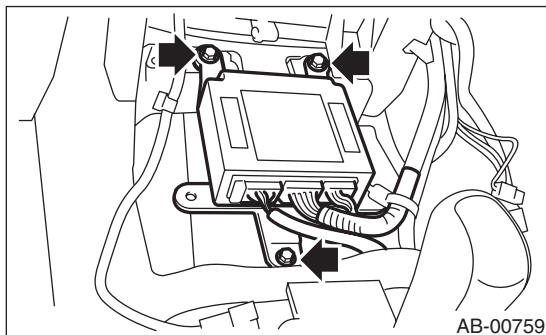
#### CAUTION:

- Do not disassemble the airbag control module.
- If the airbag control module is deformed or if the fault occurs by water, replace the airbag control module with a new part.
- Do not drop the airbag control module.
- After removal, keep the airbag control module on a dry, clean surface away from moisture, heat and dust.

- 1) Turn the ignition switch to OFF.
- 2) Disconnect the ground cable from battery and wait for at least 20 seconds before starting work.
- 3) Remove the center console. <Ref. to EI-39, REMOVAL, Center Console.>
- 4) Remove the console box. <Ref. to EI-38, REMOVAL, Console Box.>
- 5) Remove the instrument panel lower cover. <Ref. to EI-36, REMOVAL, Instrument Panel Lower Cover.>
- 6) Remove the glove box. <Ref. to EI-37, REMOVAL, Glove Box.>
- 7) Remove the audio unit. <Ref. to ET-14, REMOVAL, Audio.>
- 8) Remove the screws, and remove the center console frame.



- 9) Disconnect the connector from airbag control module.
- 10) Remove the bolts and remove airbag control module.



### B: INSTALLATION

#### CAUTION:

- Do not reuse the bolt and nut.
- Always use new bolts and nuts for them.
- Be sure to put the water protection cover over the connector.

Install in the reverse order of removal.

#### Tightening torque:

25 N·m (2.5 kgf-m, 18.1 ft-lb)

### C: INSPECTION

Check for the following, and replace the damaged parts with new parts.

- Control module, connector, and mounting bracket are damaged.
- Airbag is deployed.
- Side airbag is deployed.
- Curtain airbag is deployed.