

# Airbag Warning Light Failure

AIRBAG SYSTEM (DIAGNOSTICS)

## 12. Airbag Warning Light Failure

### A: AIRBAG WARNING LIGHT REMAINS ON

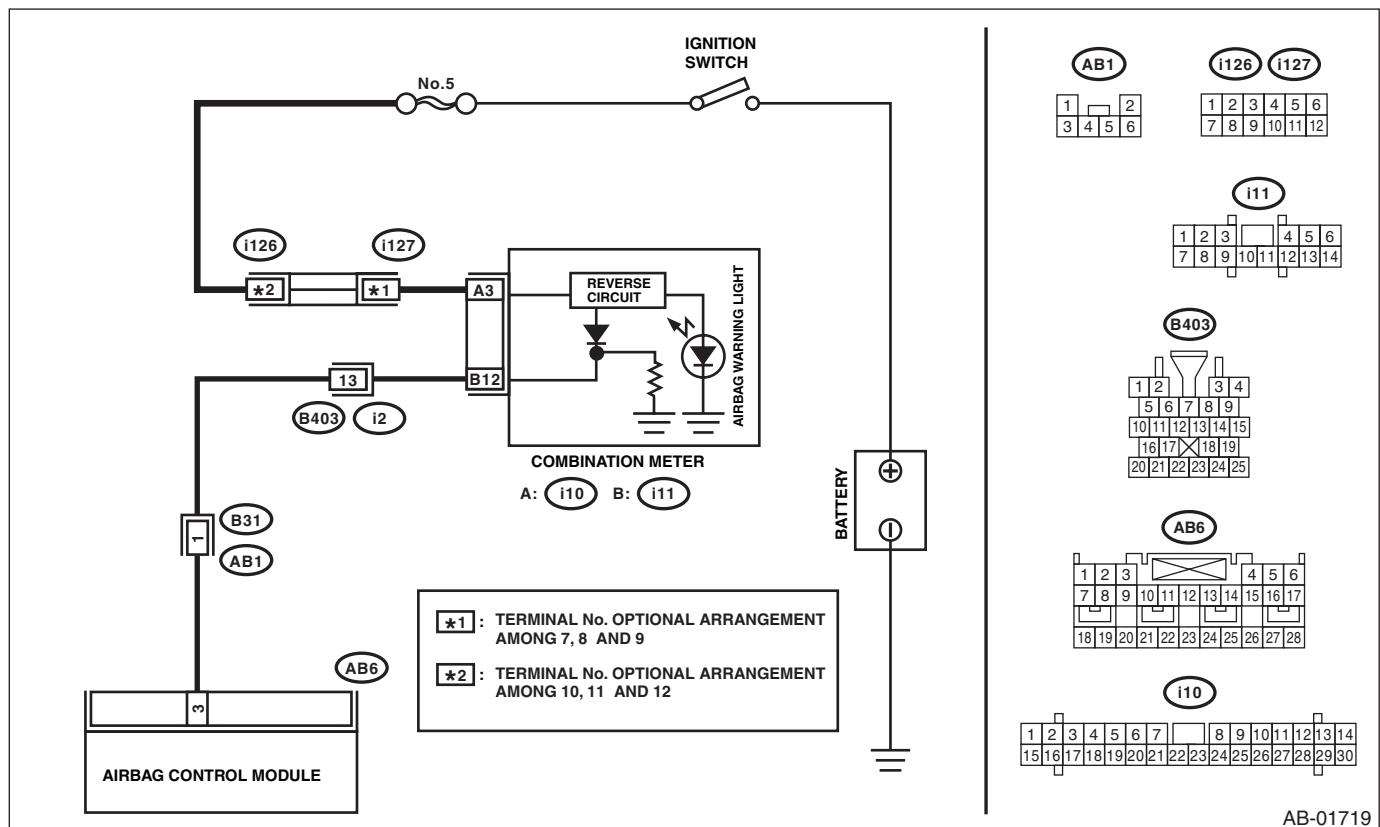
#### DETECTING CONDITION:

- Airbag warning light is faulty.
- Airbag control module to airbag warning light circuit is shorted or open.
- Grounding circuit is faulty.
- Airbag control module is faulty.
- Connection of (AB) and (B31) is improper.
- Connection of (AB6) to airbag control module is improper.

#### CAUTION:

- Before diagnosing the airbag system, be sure to turn the ignition switch to OFF, disconnect the ground terminal from battery, and wait more than 20 seconds before starting to work.
- After replacing the airbag module, seat belt pretensioner, roll connector, control module and sensor, reconnect each part and confirm that the warning light operates properly.
- When inspecting the airbag main harness, disconnect the airbag module connectors and seat belt pretensioners of the driver's and passenger's seats for safety reasons.

#### WIRING DIAGRAM:



# Airbag Warning Light Failure

AIRBAG SYSTEM (DIAGNOSTICS)

Step	Check	Yes	No
<b>1 READ DTC.</b> Read the DTC. <Ref. to AB(diag)-32, READ DIAGNOSTIC TROUBLE CODE (DTC), OPERATION, Subaru Select Monitor.>	Is DTC displayed?	Perform the diagnosis according to DTC.	Go to step 2.
<b>2 CHECK POOR CONTACT.</b> 1) Turn the ignition switch to OFF, disconnect the battery ground cable, and wait more than 20 seconds. 2) Confirm that there is solid connection between the airbag control module and connector (AB6).	Is there poor contact in connector (AB6)?	If the poor contact of the connector is not fixed, replace the airbag main harness along with body harness or replace the airbag control module. <Ref. to AB-19, Airbag Control Module.>	Go to step 3.
<b>3 CHECK AIRBAG MAIN HARNESS.</b> 1) Remove the instrument panel lower cover and disconnect the connectors (AB7) and (AB2). 2) Remove the console side cover lower on the passenger's side and disconnect the connectors (AB10) and (AB9). 3) Disconnect the connector (AB6) from the airbag control module, and connect the connector (1U) in the test harness U. 4) Connect the battery ground terminal and turn the ignition switch to ON. 5) Connect the connectors (7U) and (8U) in the test harness U. NOTE: After the fault has been cleared, disconnect the connectors (7U) and (8U).	Does the airbag warning light go off?	Go to step 4.	Go to step 5.
<b>4 CHECK GROUND CIRCUIT.</b> 1) Turn the ignition switch to OFF, disconnect the battery ground cable, and wait more than 20 seconds. 2) Disconnect the connector (AB6) from airbag control module. 3) Connect the connector (1U) in the test harness U to body harness connector (AB6). 4) Measure the resistance between connector (2U) in the test harness U and chassis ground. <i>Connector &amp; terminal</i> <i>(2U) No. 10 — Chassis ground:</i> <i>(2U) No. 11 — Chassis ground:</i>	Is the resistance less than 10 Ω?	Replace the airbag control module. <Ref. to AB-19, Airbag Control Module.>	Repair the chassis ground circuit.
<b>5 CHECK AIRBAG MAIN HARNESS AND BULKHEAD HARNESS.</b> 1) Disconnect the connectors (7U) and (8U). 2) Remove the combination meter. 3) Measure the resistance between connector (i11) and connector (2U) in the test harness U. <i>Connector &amp; terminal</i> <i>(2U) No. 7 — (i11) No. 12:</i>	Is the resistance less than 10 Ω?	Check the combination meter.	Go to step 6.
<b>6 CHECK POOR CONTACT OF CONNECTORS (AB) AND (B31).</b> 1) Turn the ignition switch to OFF, disconnect the battery ground terminal, and wait more than 20 seconds. 2) Confirm that there is a firm contact between connectors (AB) and (B31).	Is there poor contact between connectors (AB) and (B31)?	Repair the bulkhead harness or replace the airbag main harness along with body harness.	Go to step 7.

# Airbag Warning Light Failure

## AIRBAG SYSTEM (DIAGNOSTICS)

	<b>Step</b>	<b>Check</b>	<b>Yes</b>	<b>No</b>
7	<b>CHECK AIRBAG MAIN HARNESS.</b> Check the airbag main harness for defect.	Is there any defect in the airbag main harness?	Replace the airbag main harness along with bulk-head harness.	Repair the bulk-head harness.

# Airbag Warning Light Failure

## B: AIRBAG WARNING LIGHT REMAINS OFF

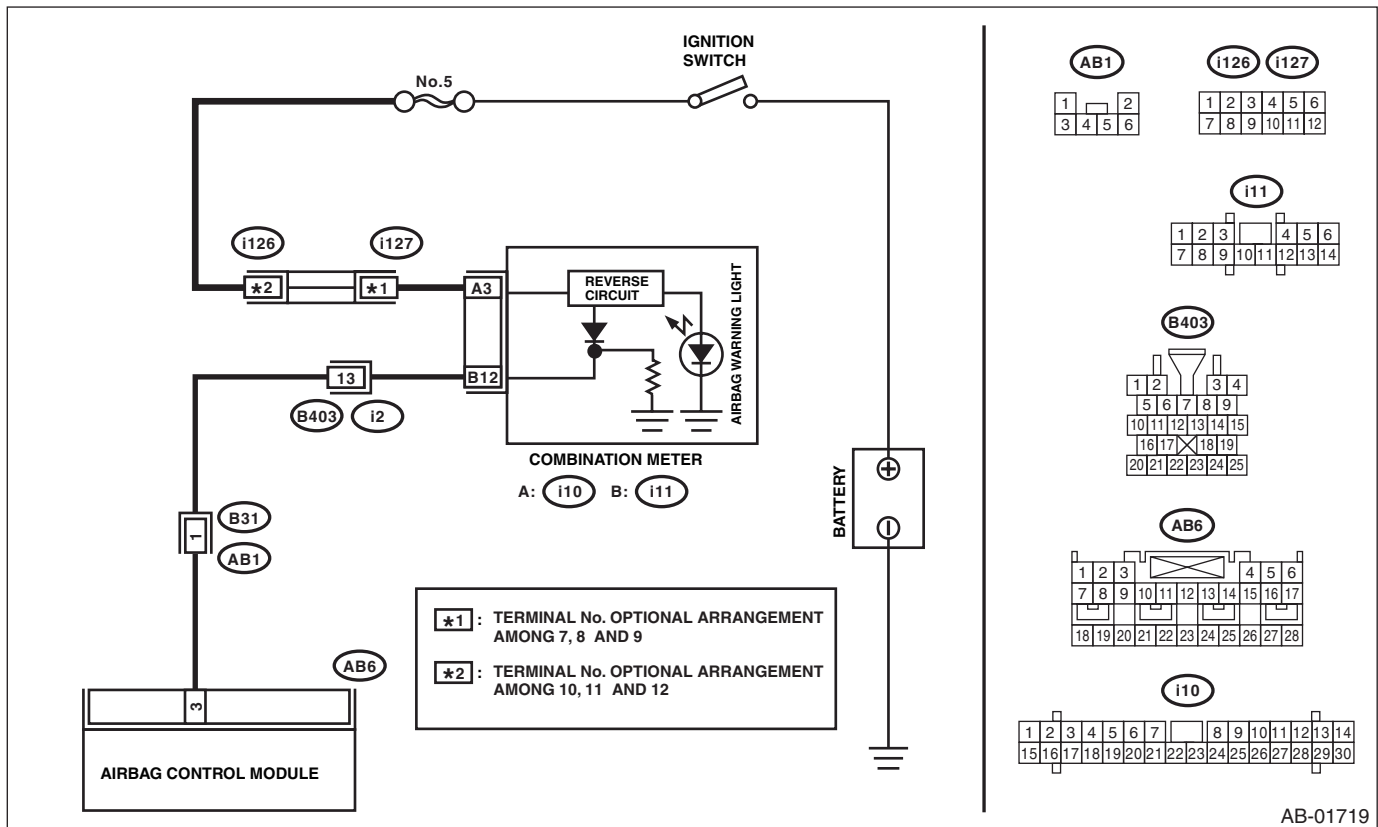
### DETECTING CONDITION:

- Fuse No. 5 (in fuse box) is brown out.
- Body harness circuit is open.
- Airbag warning light is faulty.
- Airbag main harness is faulty.
- Airbag control module is faulty.

### CAUTION:

- Before diagnosing the airbag system, be sure to turn the ignition switch to OFF, disconnect the ground terminal from battery, and wait more than 20 seconds before starting to work.
- After replacing the airbag module, seat belt pretensioner, roll connector, control module and sensor, reconnect each part and confirm that the warning light operates properly.
- When inspecting the airbag main harness, disconnect the airbag module connectors and seat belt pretensioners of the driver's and passenger's seats for safety reasons.

### WIRING DIAGRAM:



# Airbag Warning Light Failure

## AIRBAG SYSTEM (DIAGNOSTICS)

Step	Check	Yes	No
<b>1 CHECK COMBINATION METER.</b> Turn the ignition switch to ON, and confirm that warning light of combination meter is turned on.	Do warning lights except for airbag turn on?	Go to step 2.	Check the combination meter.
<b>2 CHECK DTC.</b> Read the DTC. <Ref. to AB(diag)-32, READ DIAGNOSTIC TROUBLE CODE (DTC), OPERATION, Subaru Select Monitor.>	Is DTC displayed?	Perform the diagnosis according to DTC.	Go to step 3.
<b>3 CHECK FUSE NO. 5 (IN MAIN FUSE BOX).</b> Remove the fuse No. 5 and perform visual inspection.	Is the fuse No. 5 (in main fuse box) blown out?	Replace the fuse No. 5. If the fuse No. 5 is blown out again, go to step 4.	Go to step 4.
<b>4 CHECK AIRBAG WARNING LIGHT CIRCUIT (IN COMBINATION METER).</b> 1) Turn the ignition switch to OFF, disconnect the battery ground cable, and wait more than 20 seconds. 2) Disconnect the connector (AB) from (B31). 3) Connect the battery ground terminal and turn the ignition switch to ON.	Does airbag warning light turn on?	Go to step 5.	Check the combination meter.
<b>5 CHECK AIRBAG MAIN HARNESS.</b> 1) Turn the ignition switch to OFF, disconnect the battery ground cable, and wait more than 20 seconds. 2) Connect the connector (AB) to (B31). 3) Disconnect the connector (AB6) from airbag control module. 4) Connect the battery ground terminal and turn the ignition switch to ON.	Does airbag warning light turn on?	Replace the airbag control module. <Ref. to AB-19, Airbag Control Module.>	Replace the airbag main harness along with bulk-head harness.