

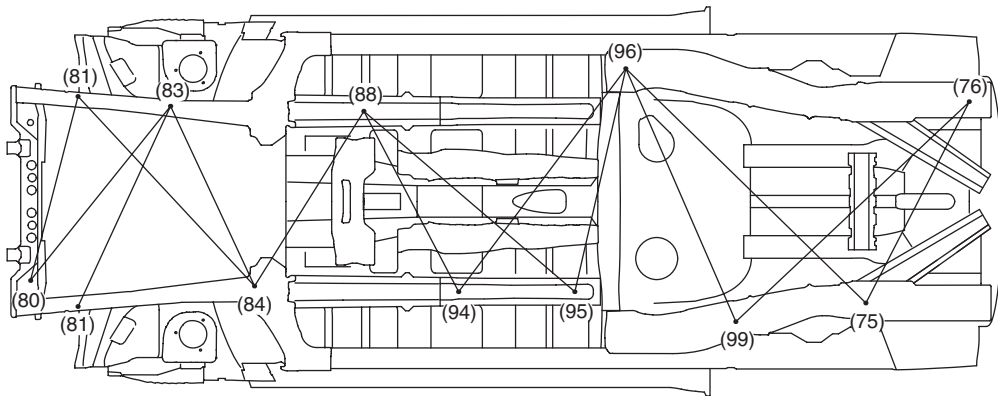
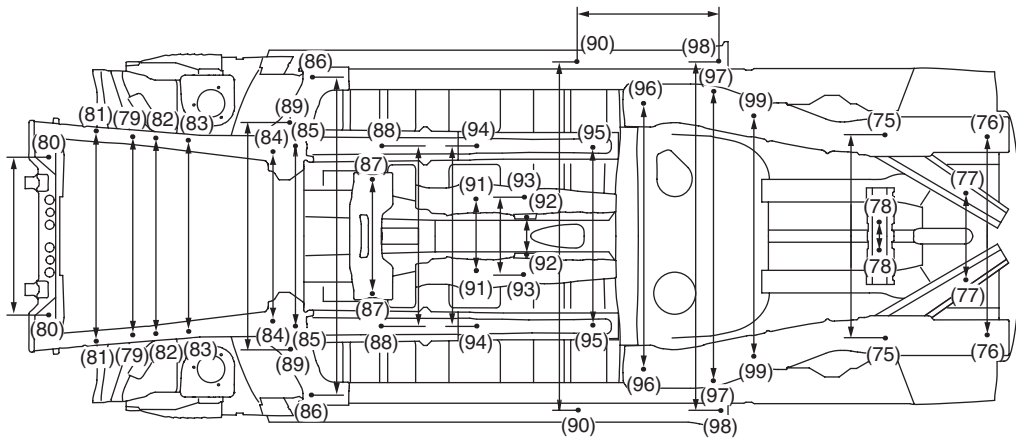
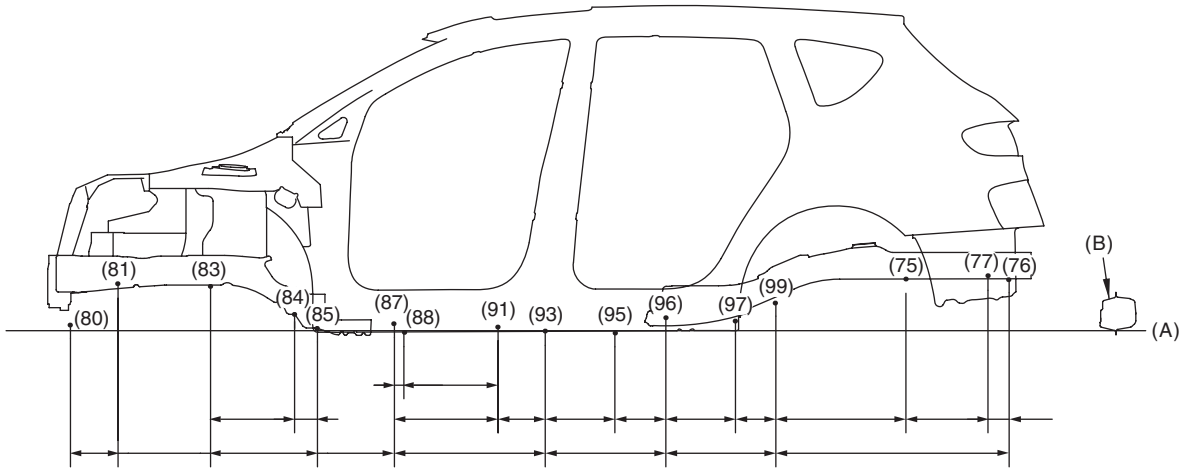
Datum Dimensions

BODY STRUCTURE

1. CENTER STRUCTURE

NOTE:

- Longitudinal dimensions are projected dimensions.
- The height dimensions are the vertical distances from the gauge point on the assumed horizontal line through the side sill flange joint (bending angle point).
- Diagonal dimensions are the actual dimensions between reference points. The values in brackets are projected dimensions for reference.



BS-01612

Datum Dimensions

BODY STRUCTURE

(A) Standard line	(B) Side sill		
(75) Sub frame mounting hole (symmetrical)	(83) Front crossmember mounting hole (symmetrical), rear	(91) Gauge hole (symmetrical)	
(76) Muffler cover mounting hole (symmetrical)	(84) Bushing rear mounting hole (symmetrical)	(92) Center bearing mounting hole	
(77) Trailer hitch mounting hole (symmetrical)	(85) Suspension plate mounting hole (symmetrical)	(93) Exhaust cover mounting hole (symmetrical)	
(78) Support sub frame mounting hole (symmetrical)	(86) Gauge hole (symmetrical)	(94) Gauge hole (symmetrical)	
(79) Combination member mounting hole (symmetrical)	(87) Crossmember mounting hole (symmetrical)	(95) Gauge hole (symmetrical)	
(80) Paint drain hole (symmetrical)	(88) Gauge hole (symmetrical)	(96) Tank protector mounting hole (symmetrical)	
(81) Gauge hole (symmetrical)	(89) Suspension plate mounting hole (symmetrical)	(97) Tie-down plate mounting hole (symmetrical)	
(82) Front crossmember mounting hole (symmetrical), front	(90) Side sill spoiler mounting hole (symmetrical)	(98) Side spoiler mounting hole (symmetrical)	
		(99) Sub frame mounting hole (symmetrical)	

Datum Dimensions

BODY STRUCTURE

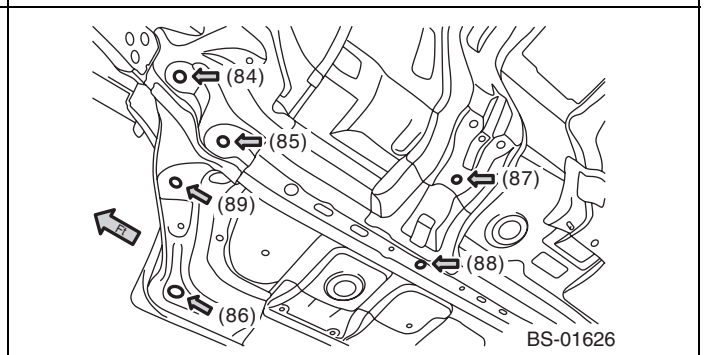
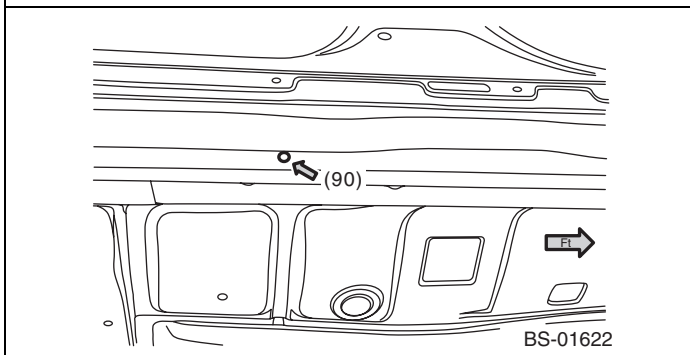
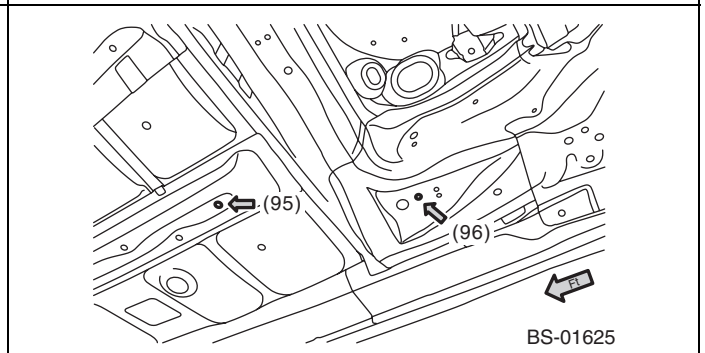
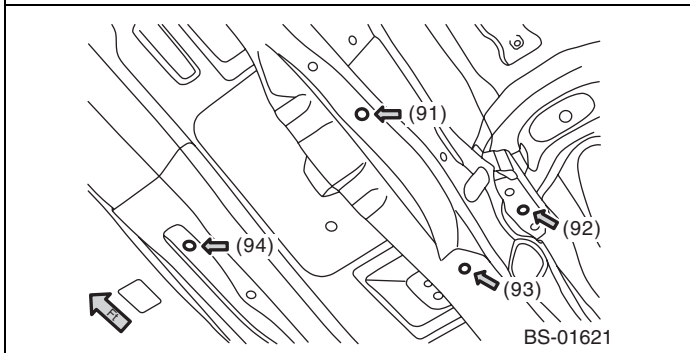
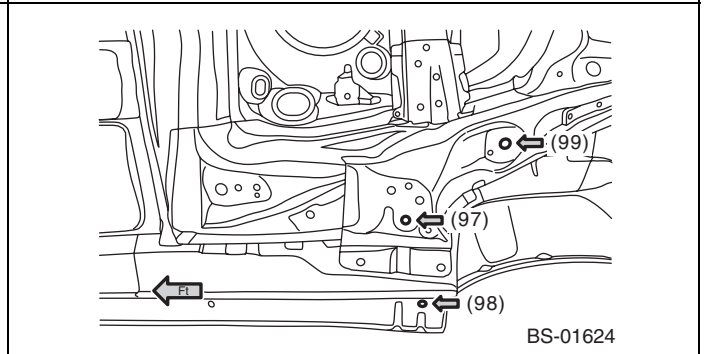
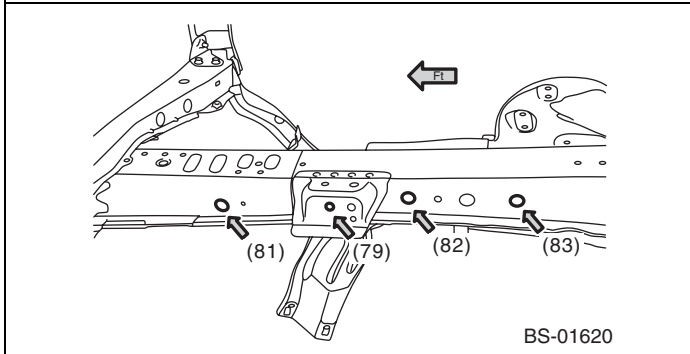
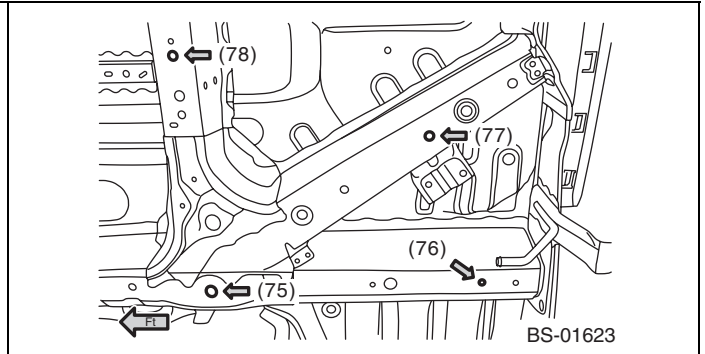
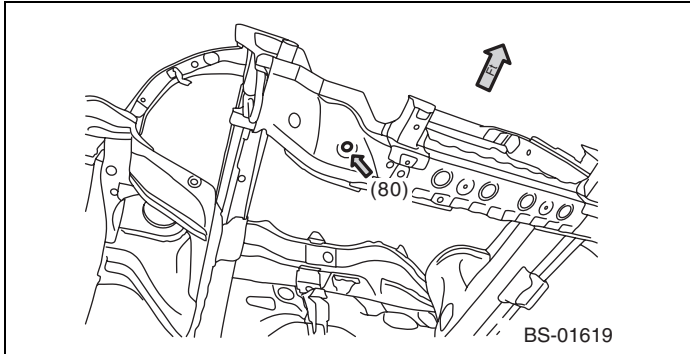
Point of measurement	Datum dimension mm (in)
Datum line — (75)	225 (8.86)
Datum line — (76)	228 (8.98)
Datum line — (77)	238 (9.37)
Datum line — (80)	27 (1.06)
Datum line — (81)	204 (8.03)
Datum line — (83)	218 (8.58)
Datum line — (84)	70 (2.76)
Datum line — (85)	10 (0.39)
Datum line — (87)	30 (1.18)
Datum line — (88)	-10 (-0.39)
Datum line — (91)	16 (0.63)
Datum line — (93)	-5 (-0.20)
Datum line — (95)	-7 (-0.28)
Datum line — (96)	62 (2.44)
Datum line — (97)	45 (1.77)
Datum line — (99)	124 (4.88)
(75) — (77)	362 (14.25)
(75) — (99)	573 (22.56)
(76) — (77)	93 (3.66)
(76) — (99)	1,028 (40.47)
(80) — (81)	210 (8.27)
(81) — (83)	408 (16.06)
(83) — (84)	370 (14.57)
(83) — (85)	471 (18.54)
(84) — (85)	101 (3.98)
(85) — (87)	339 (13.35)
(87) — (88)	42 (1.65)
(87) — (91)	457 (17.99)
(87) — (93)	665 (26.18)
(88) — (91)	415 (16.34)
(91) — (93)	208 (8.19)
(93) — (95)	307 (12.09)
(93) — (96)	563 (22.17)
(95) — (96)	256 (10.08)
(96) — (97)	276 (10.87)
(96) — (99)	455 (17.91)
(97) — (99)	179 (7.05)
(75) RH — (75) LH	895 (35.24)
(76) RH — (76) LH	876 (34.49)
(77) RH — (77) LH	376 (14.80)
(78) RH — (78) LH	120 (4.72)
(79) RH — (79) LH	868 (34.17)
(80) RH — (80) LH	696 (27.40)
(81) RH — (81) LH	926 (36.46)
(82) RH — (82) LH	862 (33.94)
(83) RH — (83) LH	840 (33.07)
(84) RH — (84) LH	746 (29.37)
(85) RH — (85) LH	796 (31.34)
(86) RH — (86) LH	1,402 (55.20)
(87) RH — (87) LH	504 (19.84)

Point of measurement	Datum dimension mm (in)
(88) RH — (88) LH	796 (31.34)
(89) RH — (89) LH	1,002 (39.45)
(90) RH — (90) LH	1,536 (60.47)
(91) RH — (91) LH	320 (12.60)
(92) RH — (92) LH	168 (6.61)
(93) RH — (93) LH	343 (13.50)
(94) RH — (94) LH	796 (31.34)
(95) RH — (95) LH	796 (31.34)
(96) RH — (96) LH	1,167 (45.94)
(97) RH — (97) LH	1,280 (50.39)
(98) RH — (98) LH	1,536 (60.47)
(99) RH — (99) LH	1,060 (41.73)
(75) RH — (76) LH	996 (39.21)
(75) RH — (96) LH	1,465 (57.68)
(76) LH — (99) RH	1,416 (55.75)
(80) RH — (81) LH	856 (33.70)
(80) RH — (83) LH	1,004 (39.53)
(81) RH — (83) LH	973 (38.31)
(81) LH — (84) RH	1,150 (45.28)
(83) LH — (84) RH	887 (34.92)
(84) RH — (88) LH	913 (35.94)
(88) LH — (94) RH	899 (35.39)
(88) LH — (95) RH	1,224 (48.19)
(94) RH — (96) LH	1,248 (49.13)
(95) RH — (96) LH	1,017 (40.04)
(96) LH — (99) RH	1,204 (47.4)

Datum Dimensions

NOTE:

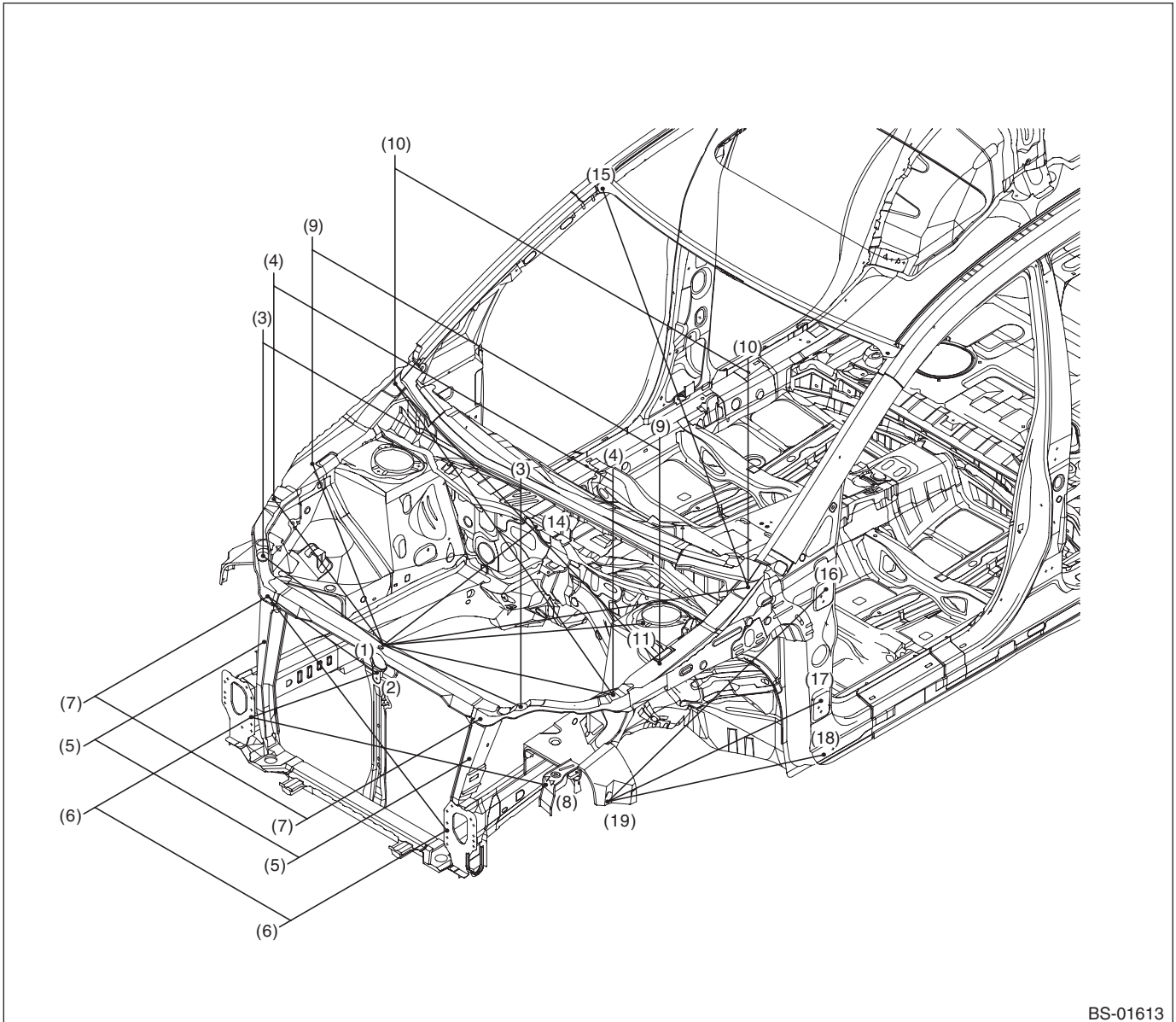
- Other datum points except for (92) are symmetrical.
- Longitudinal dimensions are projected dimensions.
- The height dimensions are the vertical distances from the gauge point on the assumed horizontal line through the side sill flange joint (bending angle point).
- Diagonal dimensions are the actual dimensions between reference points.
- The left and right dimensions are the actual dimensions between reference points.



Datum Dimensions

BODY STRUCTURE

2. FRONT STRUCTURE



BS-01613

- | | | |
|---|---|---|
| (1) Cover upper front mounting hole | (8) Harness mounting hole | (16) Front door hinge upper mounting hole (symmetrical), upper side |
| (2) Hood lock mounting hole | (9) Fender drip bracket mounting hole (symmetrical) | (17) Front door hinge lower mounting hole (symmetrical), upper side |
| (3) Headlight temporal supporting hole | (10) Assemblies hole (symmetrical) | (18) Front fender mounting hole (symmetrical), rear |
| (4) Fender drip bracket mounting hole (symmetrical) | (11) Strut mount mounting hole (symmetrical), front | (19) Front fender mounting hole (symmetrical), front |
| (5) Corner bracket mounting hole (symmetrical) | (14) Assemblies hole | |
| (6) Bumper beam mounting hole (symmetrical) | (15) Glass mounting hole (symmetrical) | |
| (7) Corner bracket mounting hole (symmetrical) | | |

Datum Dimensions

BODY STRUCTURE

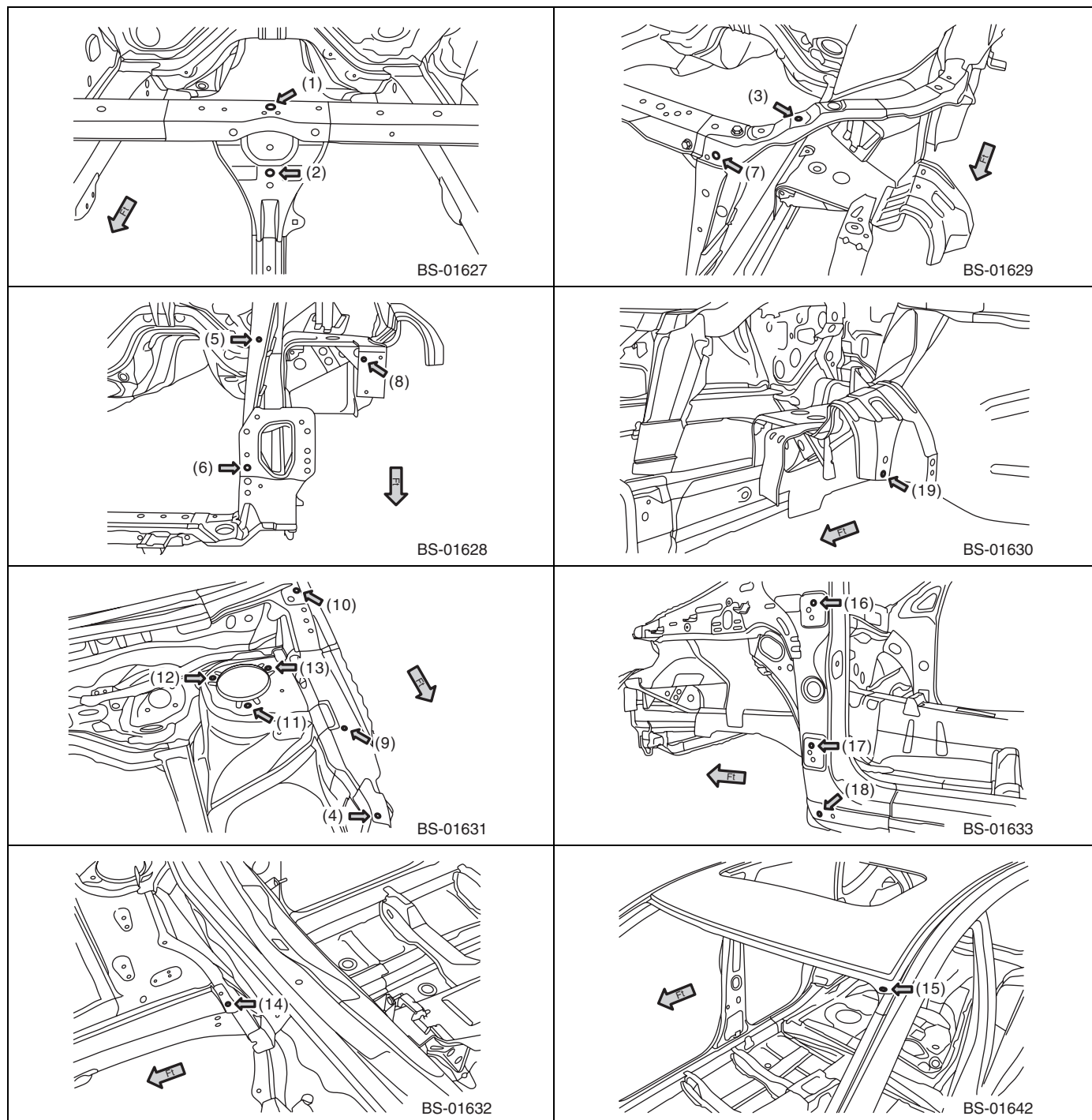
Point of measurement	Datum dimension mm (in)
(1) — (3) RH	567 (22.32)
(1) — (3) LH	567 (22.32)
(1) — (4) RH	779 (30.67)
(1) — (4) LH	797 (31.38)
(1) — (9) RH	888 (34.96)
(1) — (10) LH	1,147 (45.16)
(1) — (11) LH	807 (31.77)
(1) — (14)	667 (26.26)
(2) — (6) RH	550 (21.65)
(2) — (7) RH	469 (18.46)
(3) — (3)	1,130 (44.49)
(4) — (4)	1,487 (58.54)
(4) LH — (10) RH	1,636 (64.41)
(5) — (5)	894 (35.20)
(6) — (6)	858 (33.78)
(6) LH — (7) RH	980 (38.58)
(6) RH — (8)	1,123 (44.21)
(7) — (7)	930 (36.61)
(9) — (9)	1,522 (59.92)
(9) LH — (10) RH	1,584 (62.36)
(10) — (10)	1,548 (60.94)
(10) LH — (15) RH	1,651 (65.00)
(16) RH — (19) RH	1,019 (40.12)
(17) RH — (19) RH	954 (37.56)
(18) RH — (19) RH	1,016 (40.00)

Datum Dimensions

BODY STRUCTURE

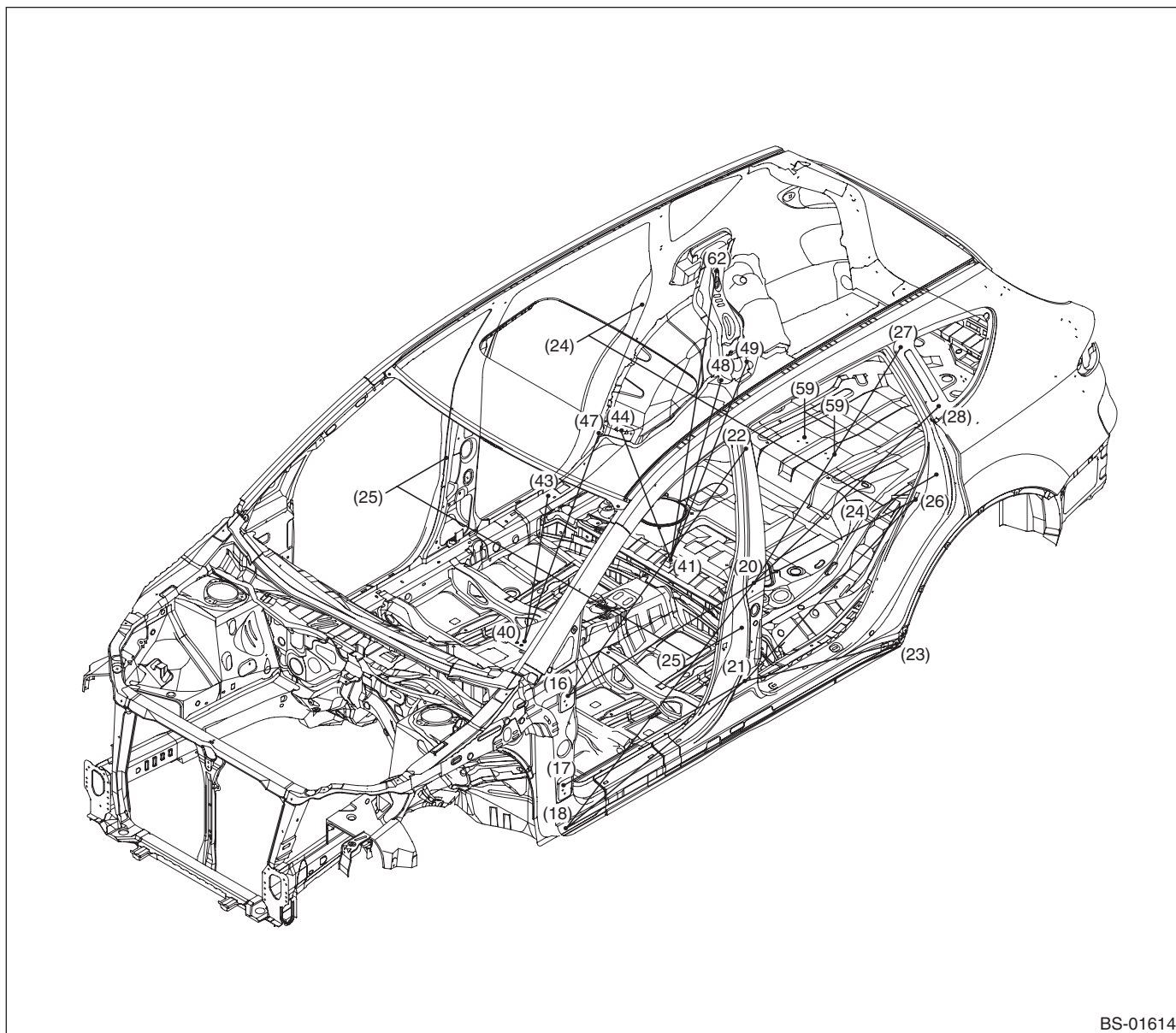
NOTE:

- The reference points (1) and (2) are at the body center, while the other points except for (3), (4), (8) and (14) are left-right symmetrical.
- The dimensions are the actual dimensions between the reference points.



3. INSIDE

- View 1



BS-01614

- | | | |
|---|---|---|
| (20) Rear door hinge upper mounting hole (symmetrical), upper | (26) Door switch mounting hole (symmetrical) | (44) Belt anchor mounting hole (symmetrical) |
| (21) Rear door hinge lower mounting hole (symmetrical), front | (27) Rear quarter glass clip mounting hole (symmetrical), upper | (47) Trim mounting hole (symmetrical) |
| (22) Door seal mounting hole (symmetrical) | (28) Rear quarter glass clip mounting hole (symmetrical), lower | (48) Damper mounting hole (symmetrical), front |
| (23) End cover mounting hole (symmetrical) | (40) Hand brake mounting hole | (49) Damper mounting hole (symmetrical), rear |
| (24) Rear door striker mounting hole (symmetrical), upper | (41) Floor mat mounting hole | (59) Third seat hinge mounting hole (symmetrical) |
| (25) Front door striker mounting hole (symmetrical), upper | (43) Piping cover mounting hole (symmetrical) | (62) Assemblies hole (symmetrical) |

Datum Dimensions

BODY STRUCTURE

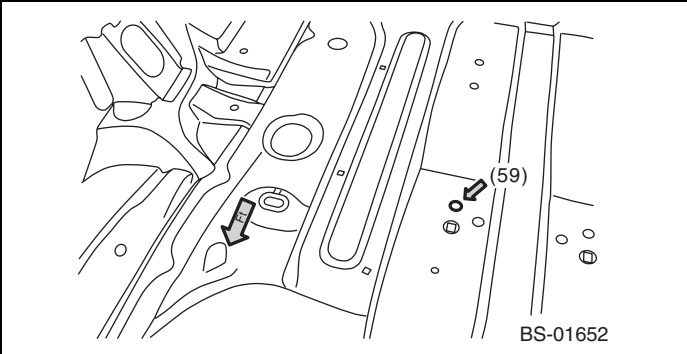
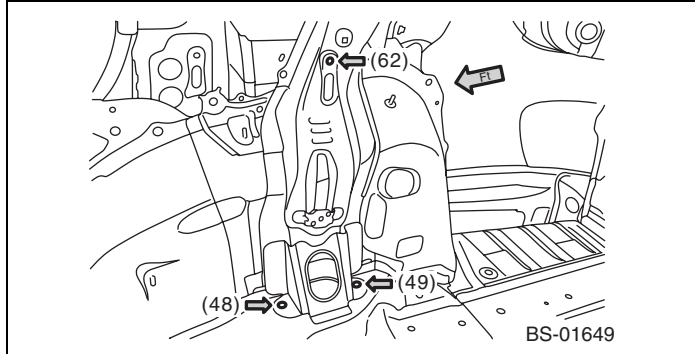
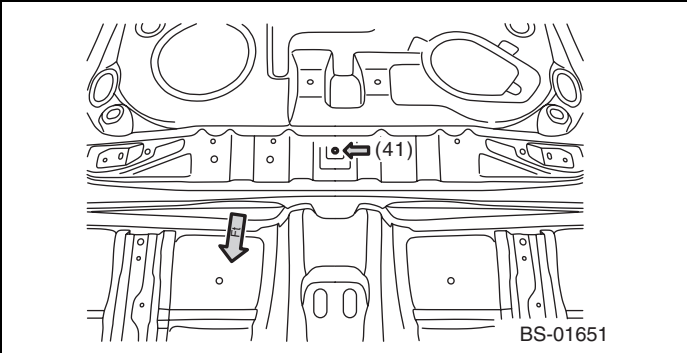
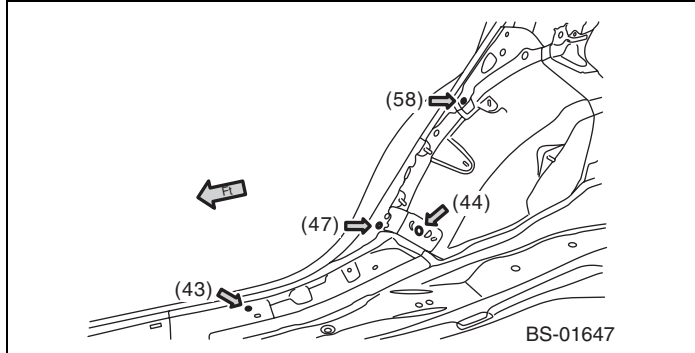
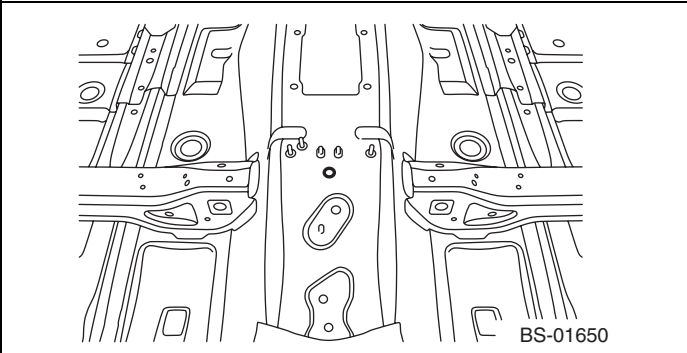
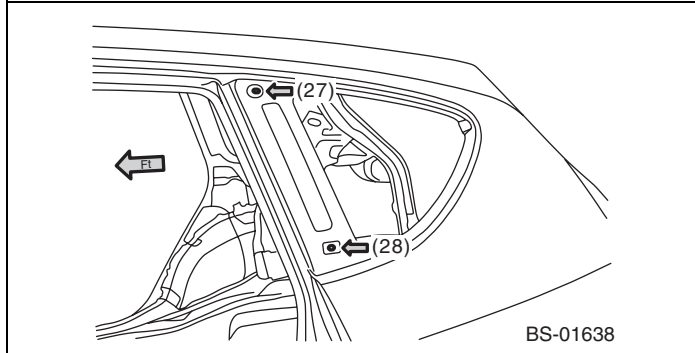
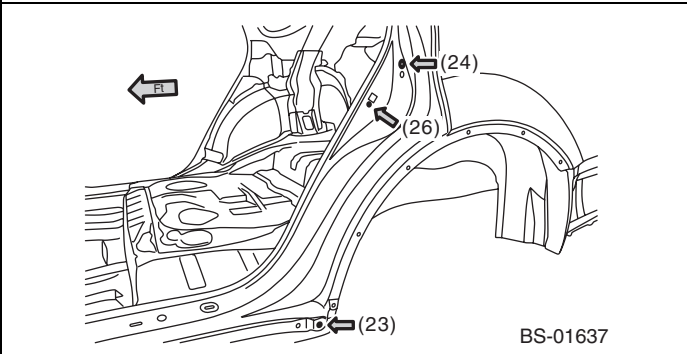
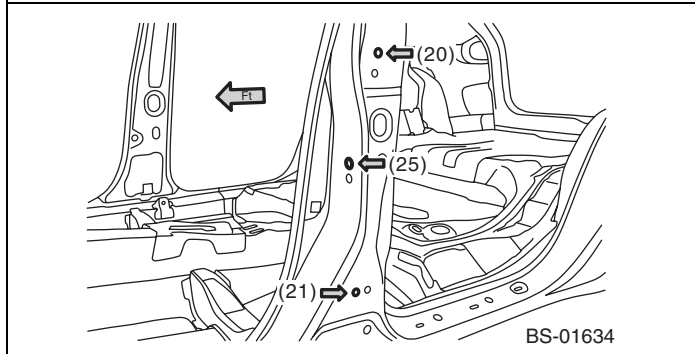
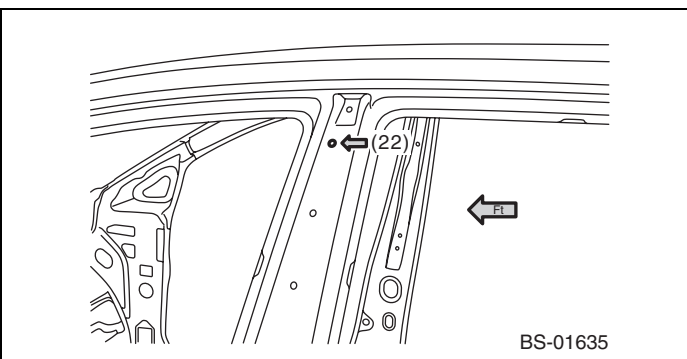
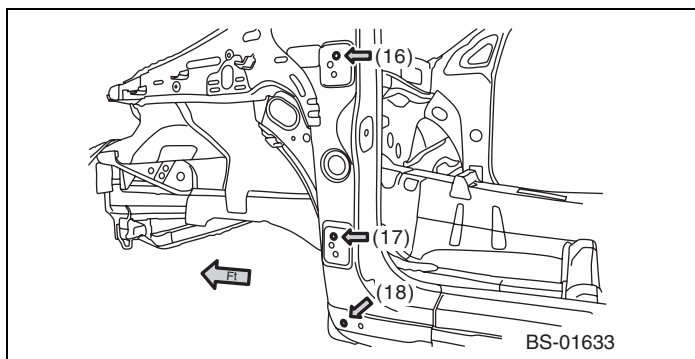
Point of measurement	Datum dimension mm (in)
(16) LH — (20) LH	1,017 (40.04)
(16) LH — (22) LH	1,242 (48.90)
(17) LH — (21) LH	990 (38.98)
(18) LH — (20) LH	1,212 (47.72)
(18) LH — (21) LH	997 (39.25)
(18) LH — (23) LH	1,771 (69.72)
(20) LH — (26) LH	954 (37.56)
(20) LH — (27) LH	1,124 (44.25)
(20) LH — (28) LH	1,111 (43.74)
(21) LH — (23) LH	825 (32.48)
(21) LH — (26) LH	1,049 (41.30)
(24) — (24)	1,610 (63.39)
(25) — (25)	1,612 (63.46)
(40) — (43) RH	1,125 (44.29)
(40) — (47) RH	1,375 (54.13)
(41) — (44) RH	822 (32.36)
(41) — (48) RH	1,031 (40.59)
(41) — (49) RH	1,150 (45.28)
(41) — (62) RH	1,309 (51.54)
(59) — (59)	163 (6.24)

NOTE:

- The reference points (40) and (41) are at the body center, while the other reference points are left-right symmetrical.
- The dimensions are the actual dimensions between the reference points.

Datum Dimensions

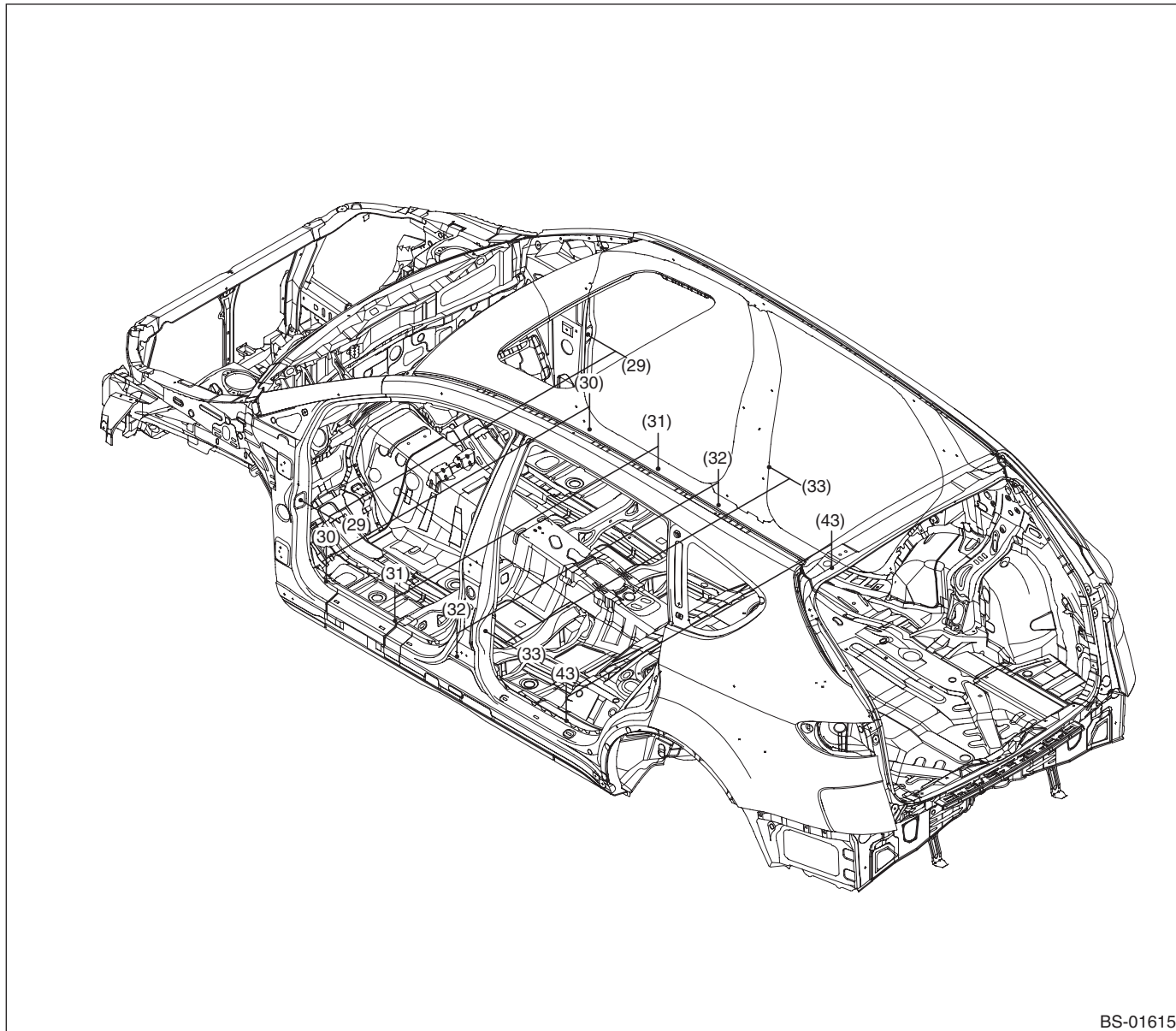
BODY STRUCTURE



Datum Dimensions

BODY STRUCTURE

- View 2



BS-01615

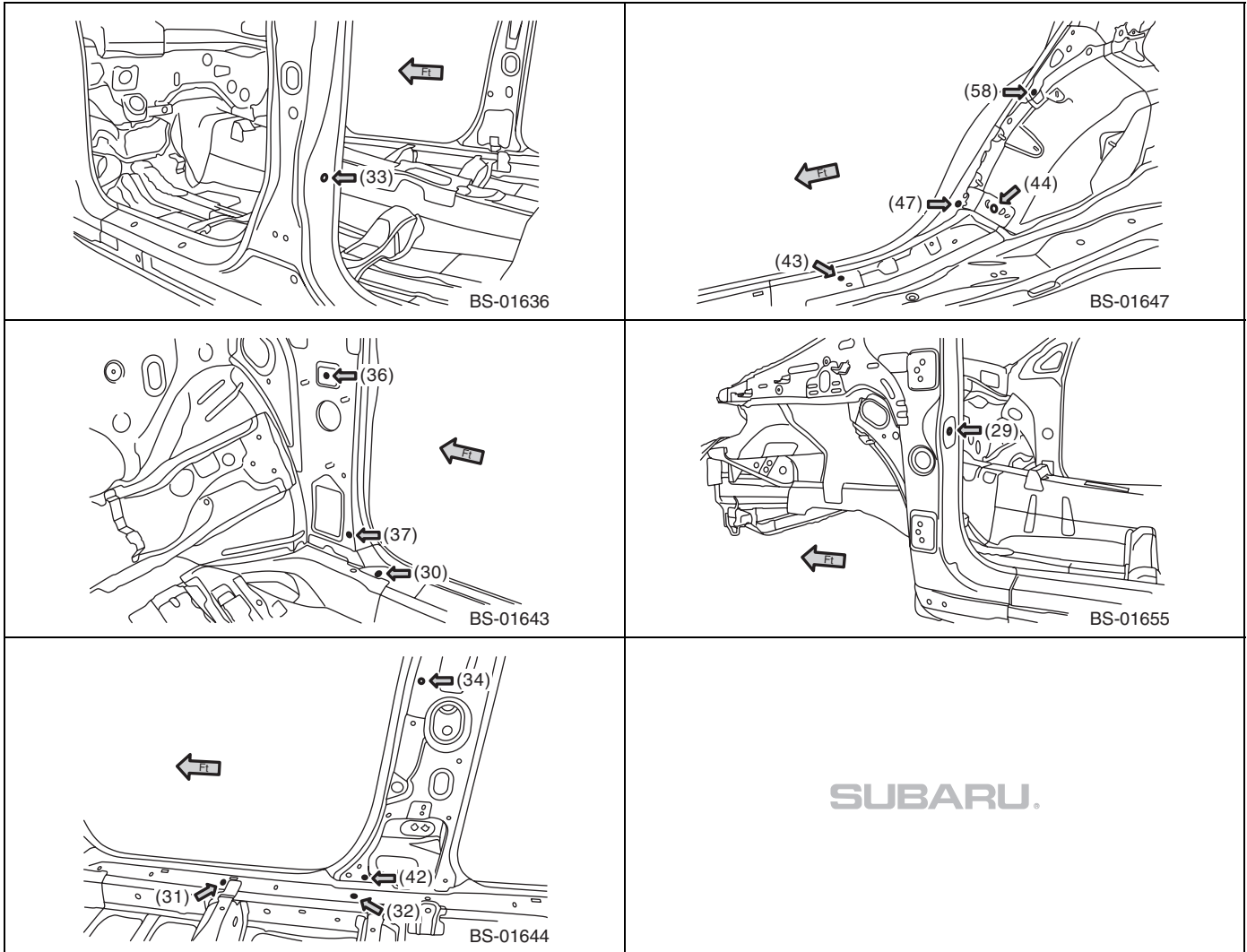
- | | | |
|---|---|--|
| (29) Front door checker mounting hole (symmetrical) | (31) Harness clip attachment hole (symmetrical) | (33) Rear door checker mounting hole (symmetrical) |
| (30) Harness clip attachment hole (symmetrical) | (32) Harness clip attachment hole (symmetrical) | |

Point of measurement	Datum dimension mm (in)
(29) — (29)	1,566 (61.65)
(30) — (30)	1,439 (56.65)
(31) — (31)	1,439 (56.65)
(32) — (32)	1,429 (56.26)
(33) — (33)	1,553 (61.14)
(43) — (43)	1,452 (57.17)

Datum Dimensions

NOTE:

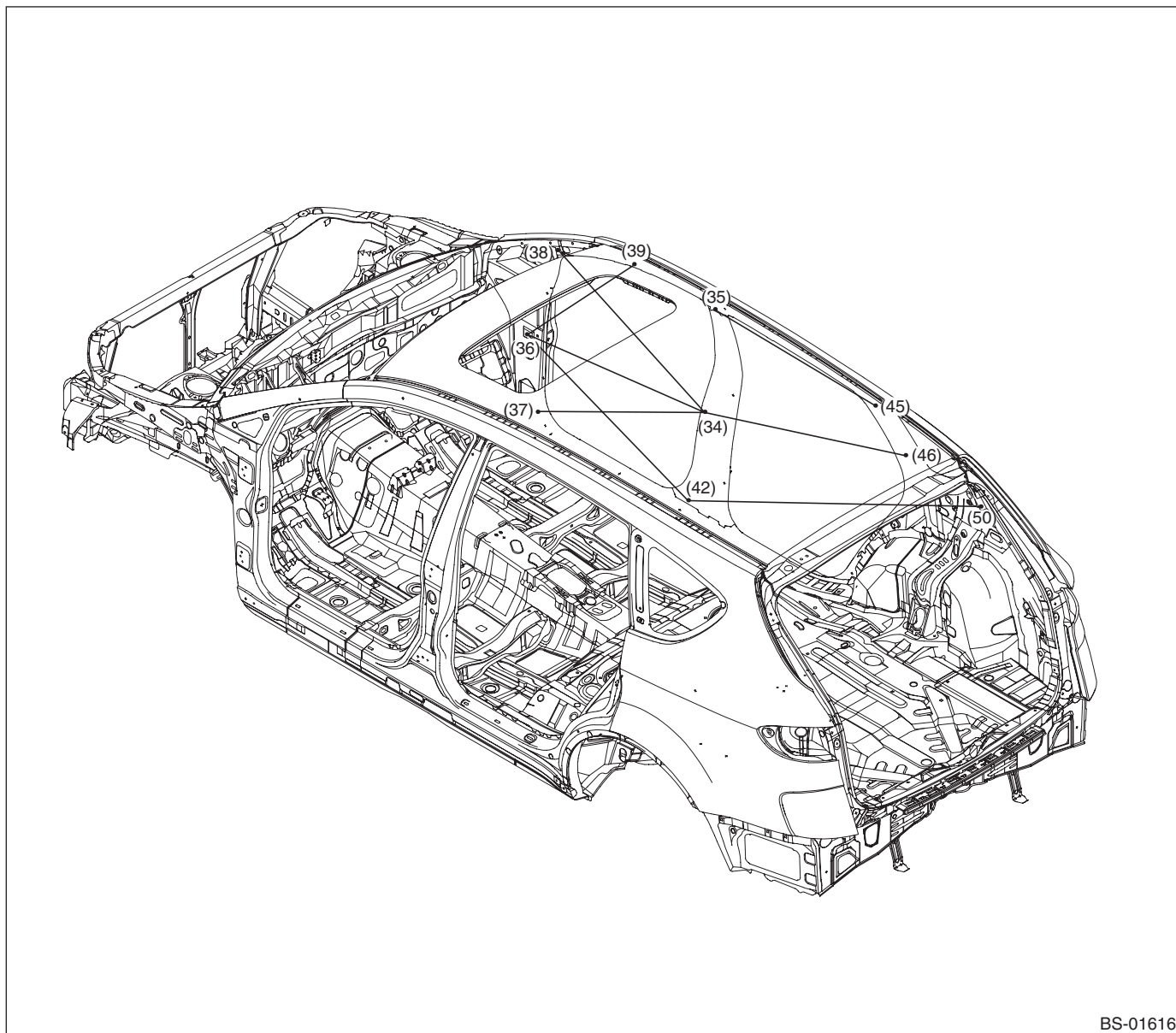
- All reference points are left-right symmetrical.
- The dimensions are the actual dimensions between the reference points.



Datum Dimensions

BODY STRUCTURE

- View 3



BS-01616

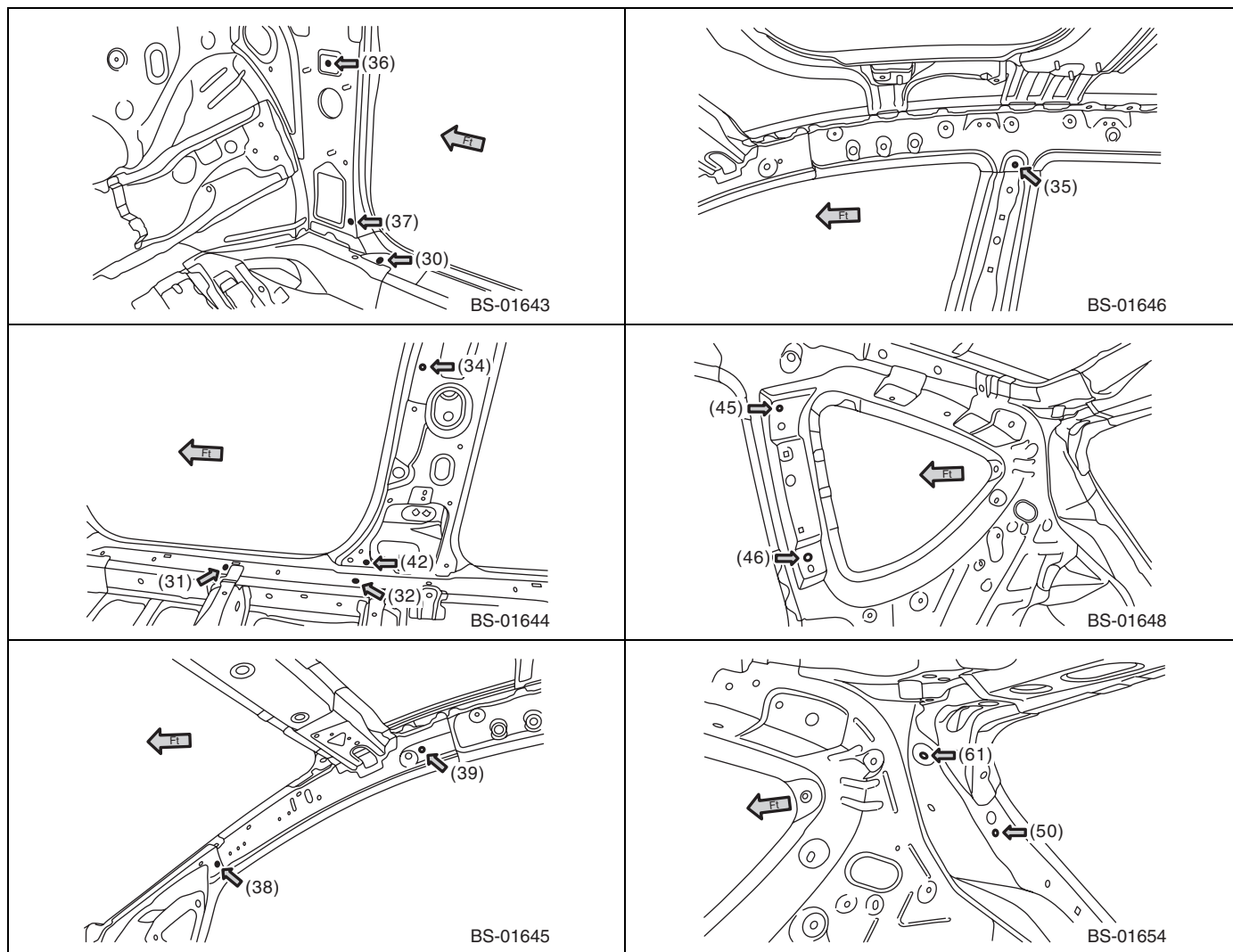
- | | | |
|---|---|--|
| (34) B pillar trim mounting hole (symmetrical), upper | (38) A pillar trim mounting hole (symmetrical) | (45) C pillar trim mounting hole (symmetrical) |
| (35) Center pillar trim mounting hole (symmetrical) | (39) A pillar pad mounting hole (symmetrical) | (46) Adjuster mounting hole (symmetrical) |
| (36) Harness protector mounting hole (symmetrical) | (42) B pillar trim mounting hole (symmetrical), lower | (50) Assemblies hole (symmetrical) |
| (37) Side sill cover mounting hole (symmetrical) | | |

Datum Dimensions

Point of measurement	Datum dimension mm (in)
(34) RH — (36) RH	979 (38.54)
(34) RH — (37) RH	1,018 (40.08)
(34) RH — (38) RH	871 (34.29)
(34) RH — (46) RH	1,154 (45.43)
(35) RH — (45) RH	860 (33.86)
(36) RH — (39) RH	999 (39.33)
(36) RH — (42) RH	941 (37.05)
(42) RH — (50) RH	2,030 (79.92)

NOTE:

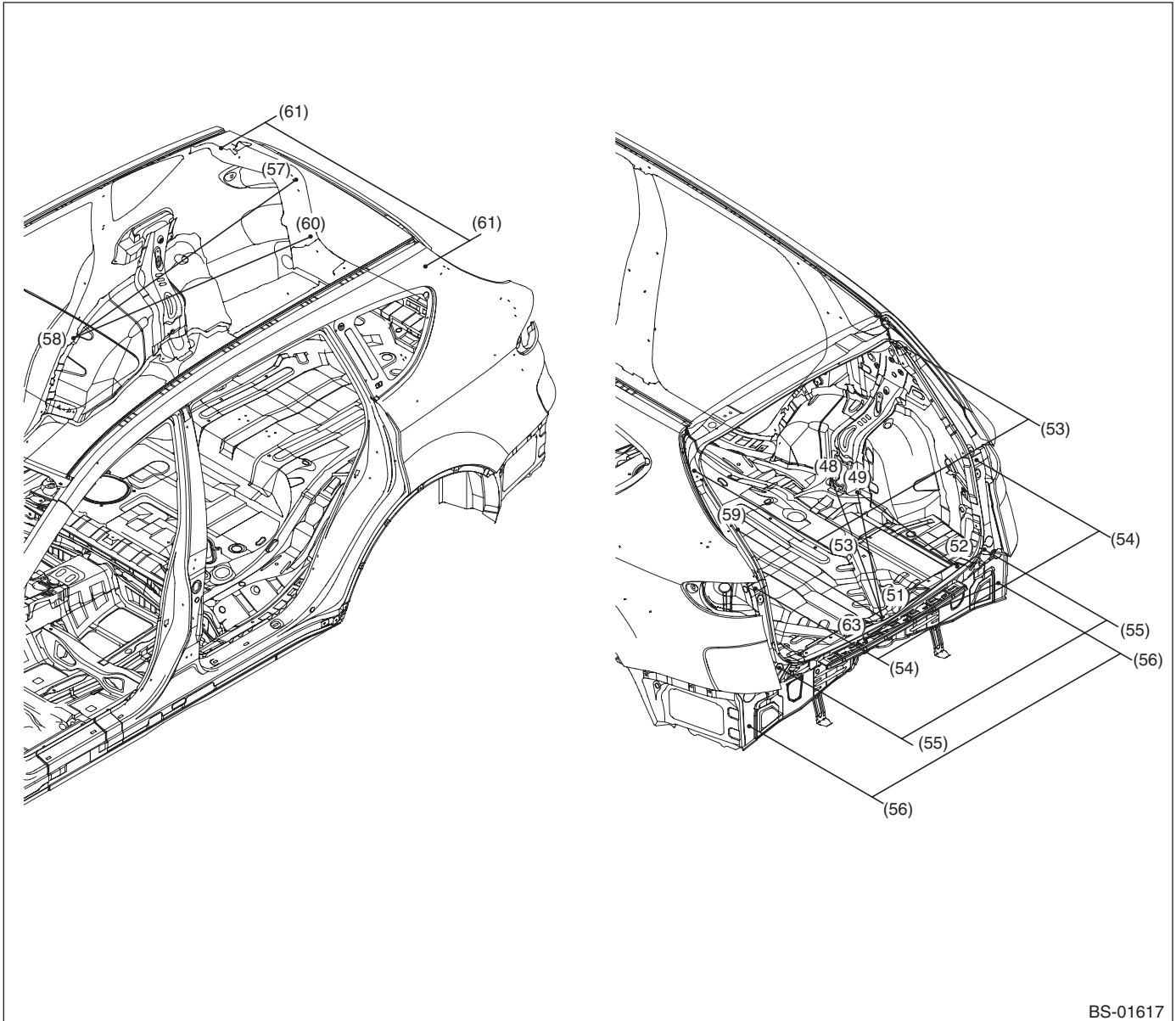
- All reference points are left-right symmetrical.
- The dimensions are the actual dimensions between the reference points.



Datum Dimensions

BODY STRUCTURE

4. REAR



BS-01617

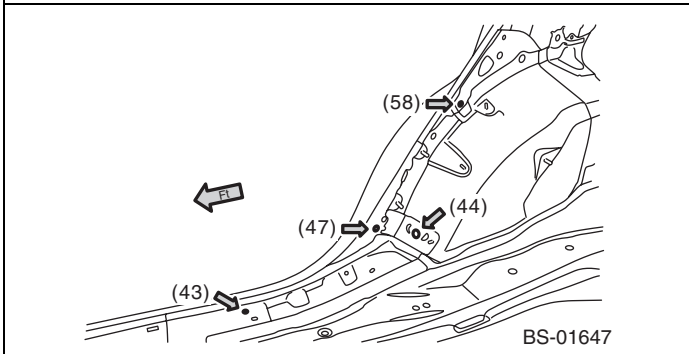
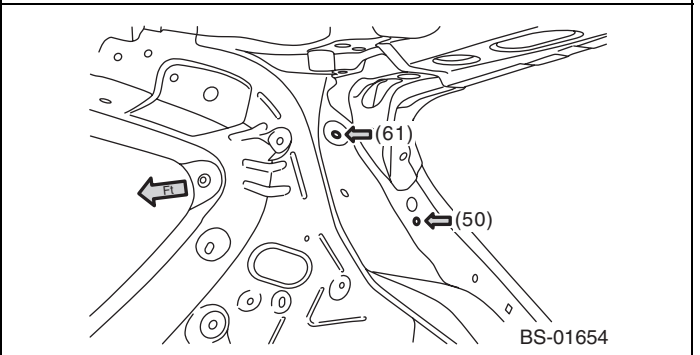
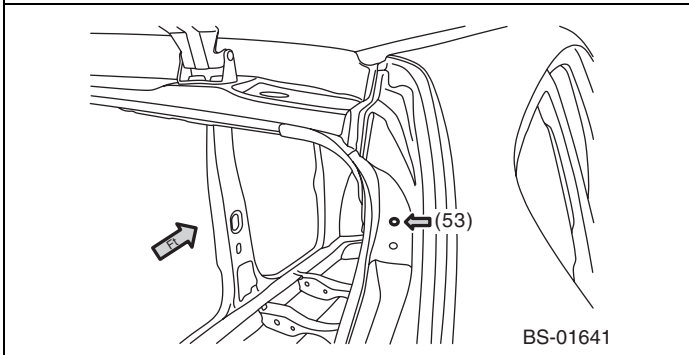
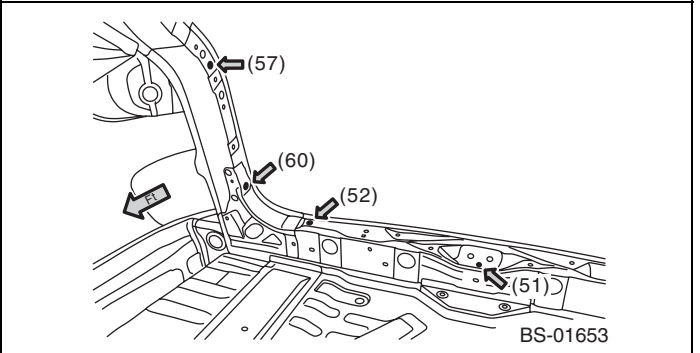
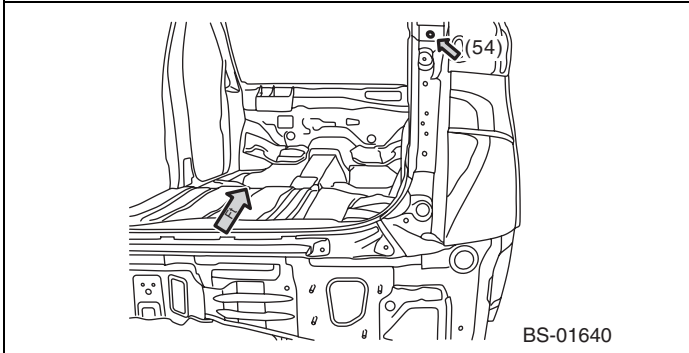
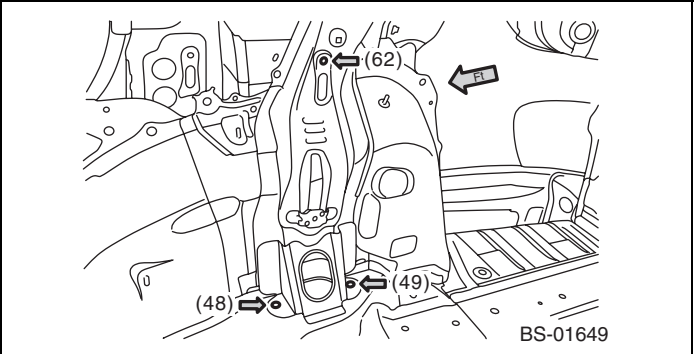
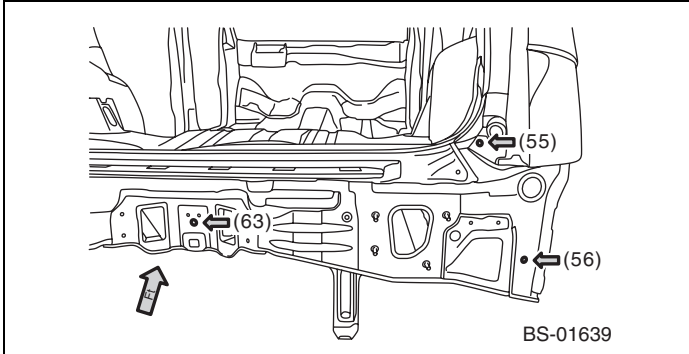
- | | | |
|--|---|---|
| (51) Paint drain hole | (55) D pillar cover mounting hole (symmetrical) | (60) Apron trim mounting hole (symmetrical) |
| (52) Edge rear mounting hole (symmetrical) | (56) Gauge hole (symmetrical) | (61) Harness mounting hole (symmetrical) |
| (53) Rear gate stay mounting hole (symmetrical), upper | (57) Retractor mounting hole (symmetrical) | (63) Gauge hole |
| (54) Gauge hole (symmetrical) | (58) Trim mounting hole (symmetrical) | |

Point of measurement	Datum dimension mm (in)
(48) RH — (51)	1,022 (40.24)
(49) RH — (51)	909 (35.79)
(49) RH — (52) RH	724 (28.50)
(51) — (59) RH	886 (34.88)
(53) — (53)	1,165 (45.87)
(54) — (54)	1,220 (48.03)
(55) — (55)	1,130 (44.49)
(55) RH — (63)	602 (23.70)

Point of measurement	Datum dimension mm (in)
(56) — (56)	1,369 (53.90)
(56) RH — (63)	688 (27.09)
(57) RH — (58) RH	1,107 (43.58)
(58) RH — (60) RH	1,136 (44.72)
(61) — (61)	1,127 (44.37)

NOTE:

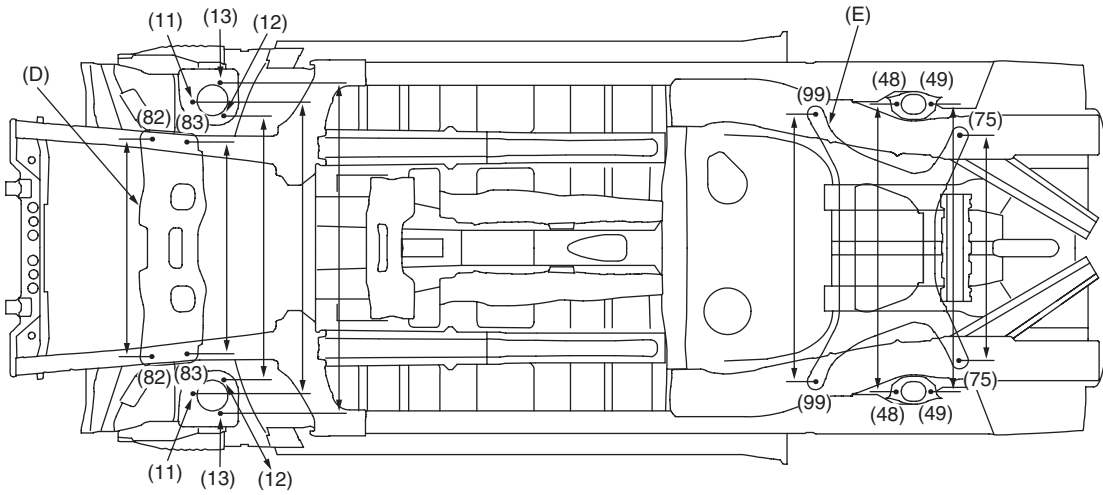
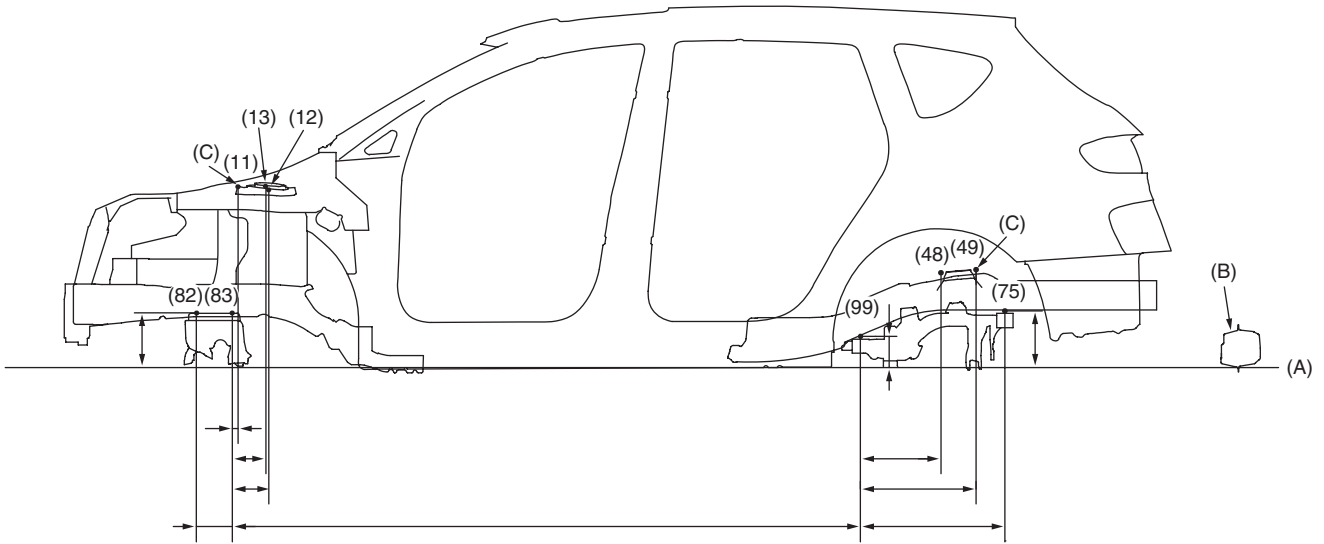
- The reference points (51) and (63) are at the body center, while the other points are left-right symmetrical.
- The dimensions are the actual dimensions between the reference points.



Datum Dimensions

BODY STRUCTURE

5. SUSPENSION MOUNT



BS-01618

Datum Dimensions

BODY STRUCTURE

- | | | |
|--|--|---|
| (A) Standard line | (B) Side sill | (C) Upper face |
| (D) Crossmember | (E) Sub frame | |
| (11) Strut mount mounting hole (symmetrical), front | (48) Damper mounting hole (symmetrical), front | (82) Front crossmember mounting hole (symmetrical), front |
| (12) Strut mount mounting hole (symmetrical), rear inside | (49) Damper mounting hole (symmetrical), rear | (83) Front crossmember mounting hole (symmetrical), rear |
| (13) Strut mount mounting hole (symmetrical), rear outside | (75) Sub frame mounting hole (symmetrical) | (99) Sub frame mounting hole (symmetrical) |

Point of measurement	Datum dimension mm (in)
Datum line — (75)	225 (8.86)
Datum line — (82)	218 (8.58)
Datum line — (83)	218 (8.58)
Datum line — (99)	124 (4.88)
(11) — (83)	23 (0.91)
(12) — (83)	144 (5.67)
(13) — (83)	132 (5.20)
(48) — (99)	319 (12.56)
(49) — (99)	459 (18.07)
(75) — (99)	573 (22.56)
(82) — (83)	144 (5.67)
(83) — (99)	2,492 (98.11)
(11) — (11)	1,156 (45.51)
(12) — (12)	1,046 (41.18)
(13) — (13)	1,311 (51.61)
(48) — (48)	1,139 (44.84)
(49) — (49)	1,139 (44.84)
(75) — (75)	895 (35.24)
(82) — (82)	862 (33.94)
(83) — (83)	840 (33.07)
(99) — (99)	1,060 (41.73)

Datum Dimensions

BODY STRUCTURE

NOTE:

- All reference points are left-right symmetrical.
- Longitudinal dimensions are projected dimensions.
- The height dimensions are the vertical distances from the gauge point on the assumed horizontal line through the side sill flange joint (bending angle point).
- The left and right dimensions are the actual dimensions between reference points.

