

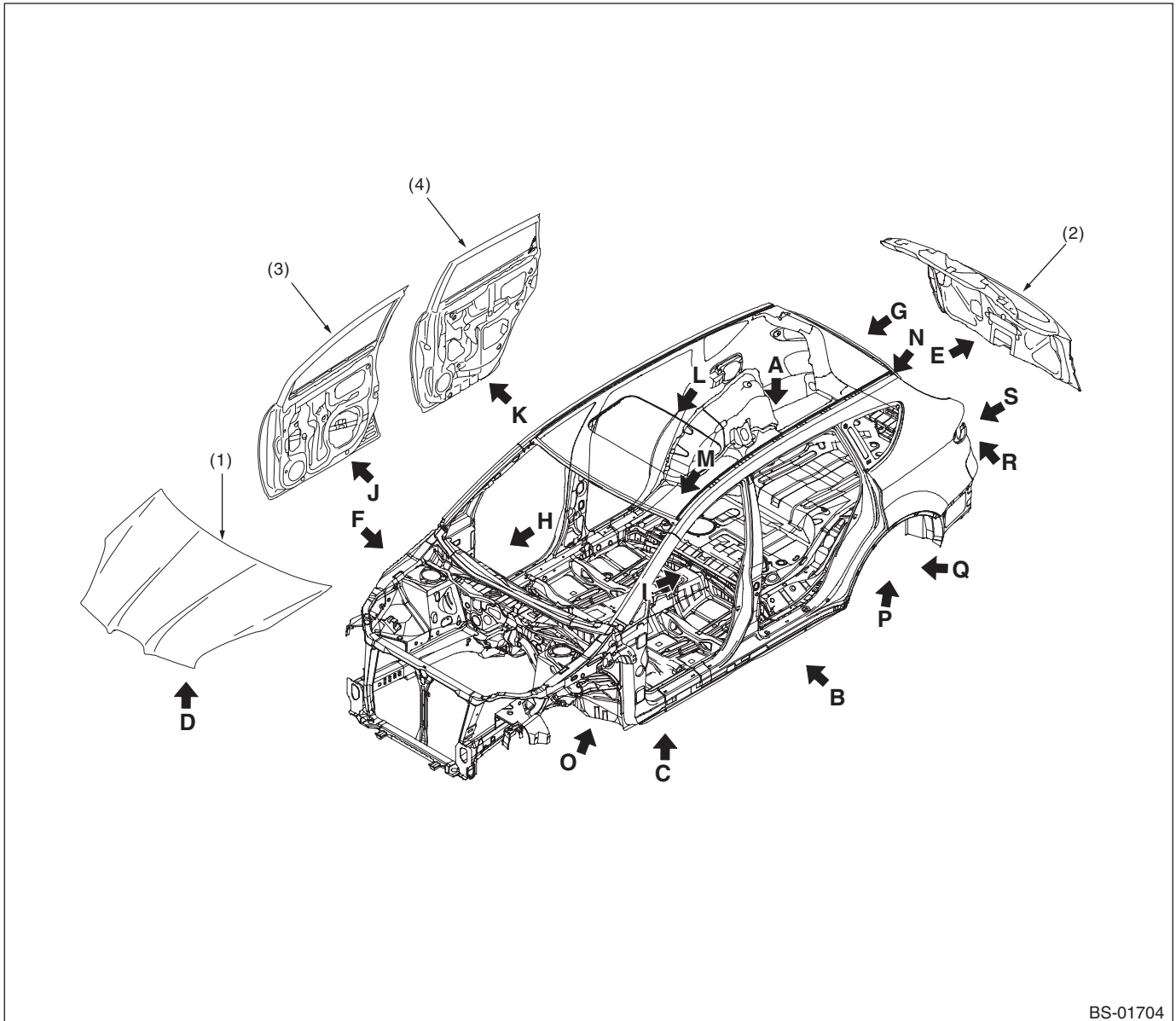
3. Body Sealing

A: SPECIFICATION

Used material:

THREE BOND 4101 (004403063)

—: Sealing application locations



BS-01704

(1) Front hood
(2) Rear gate

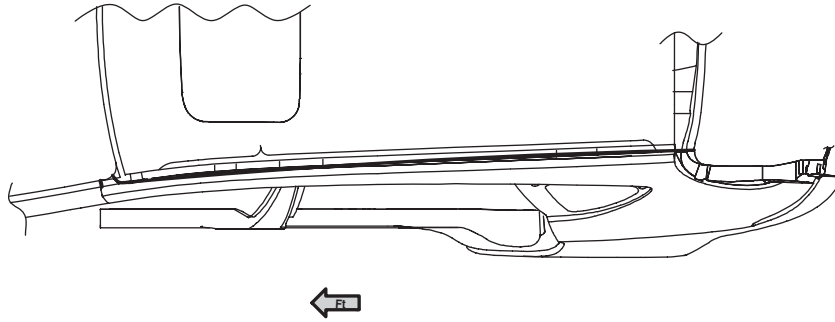
(3) Front door

(4) Rear door

Body Sealing

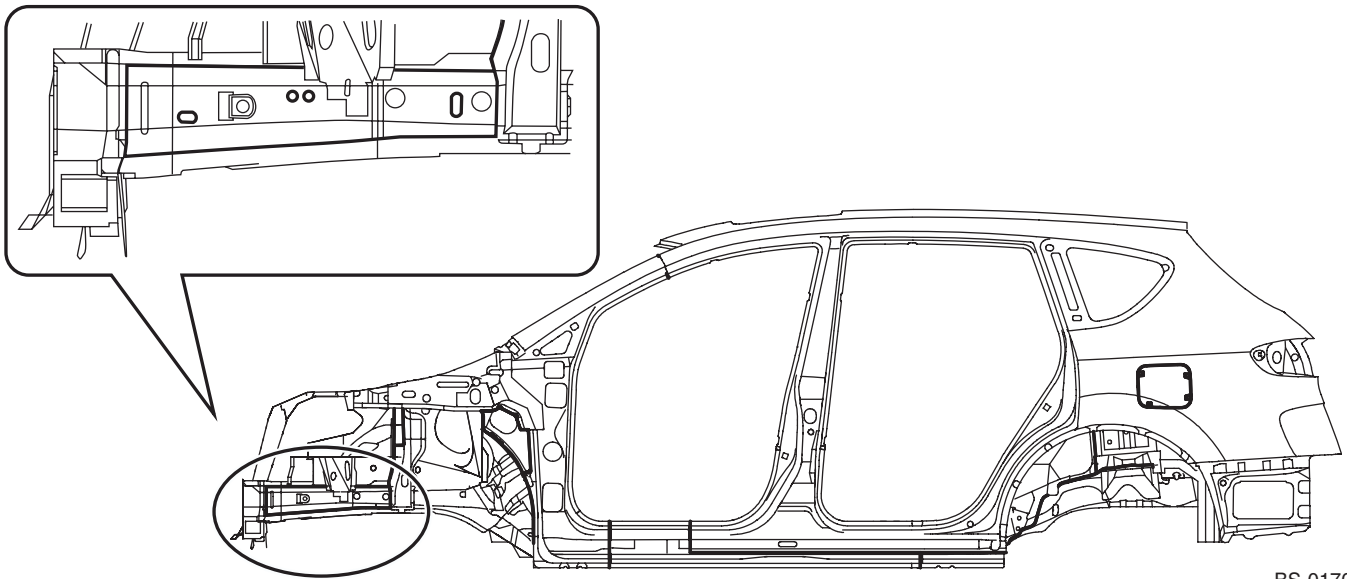
BODY STRUCTURE

View A



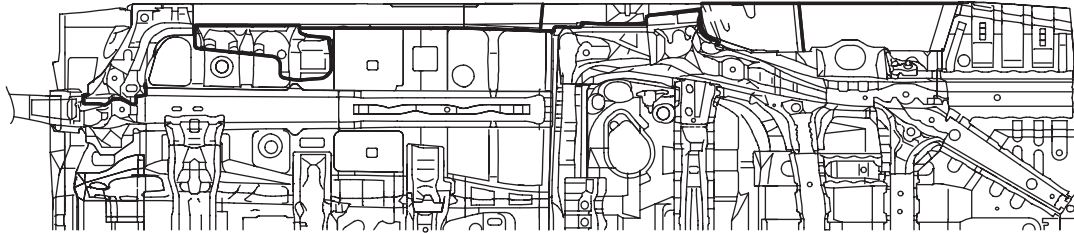
BS-01657

View B



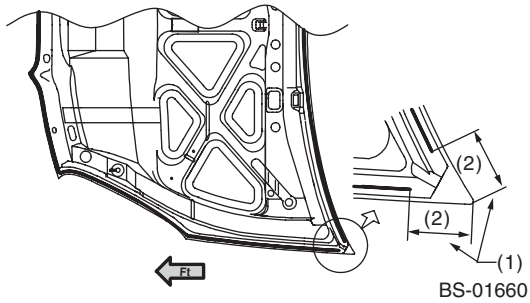
BS-01705

View C



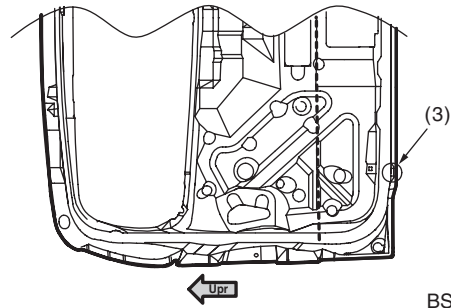
BS-01659

View D



BS-01660

View E



BS-01661

(1) Application not required.

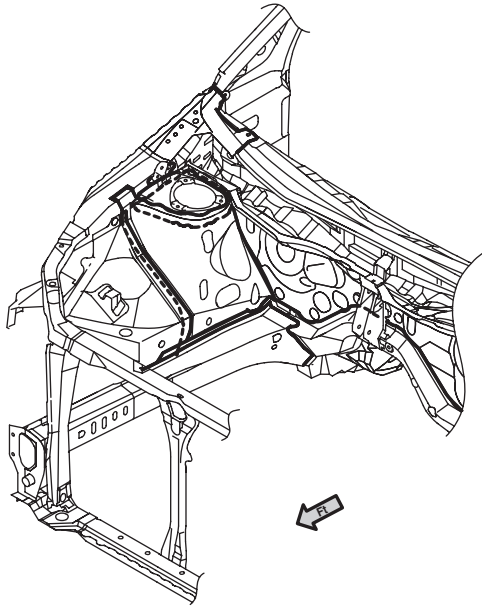
(2) 50 mm (1.97 in)

(3) Do not block the water drain hole.

Body Sealing

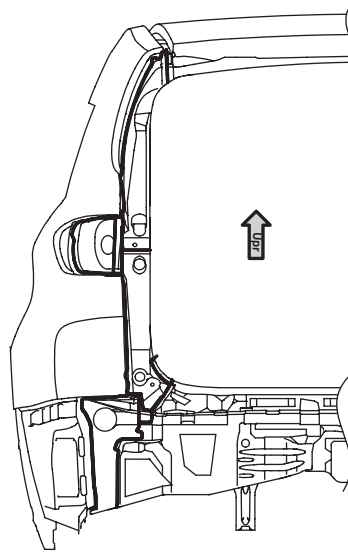
BODY STRUCTURE

View F



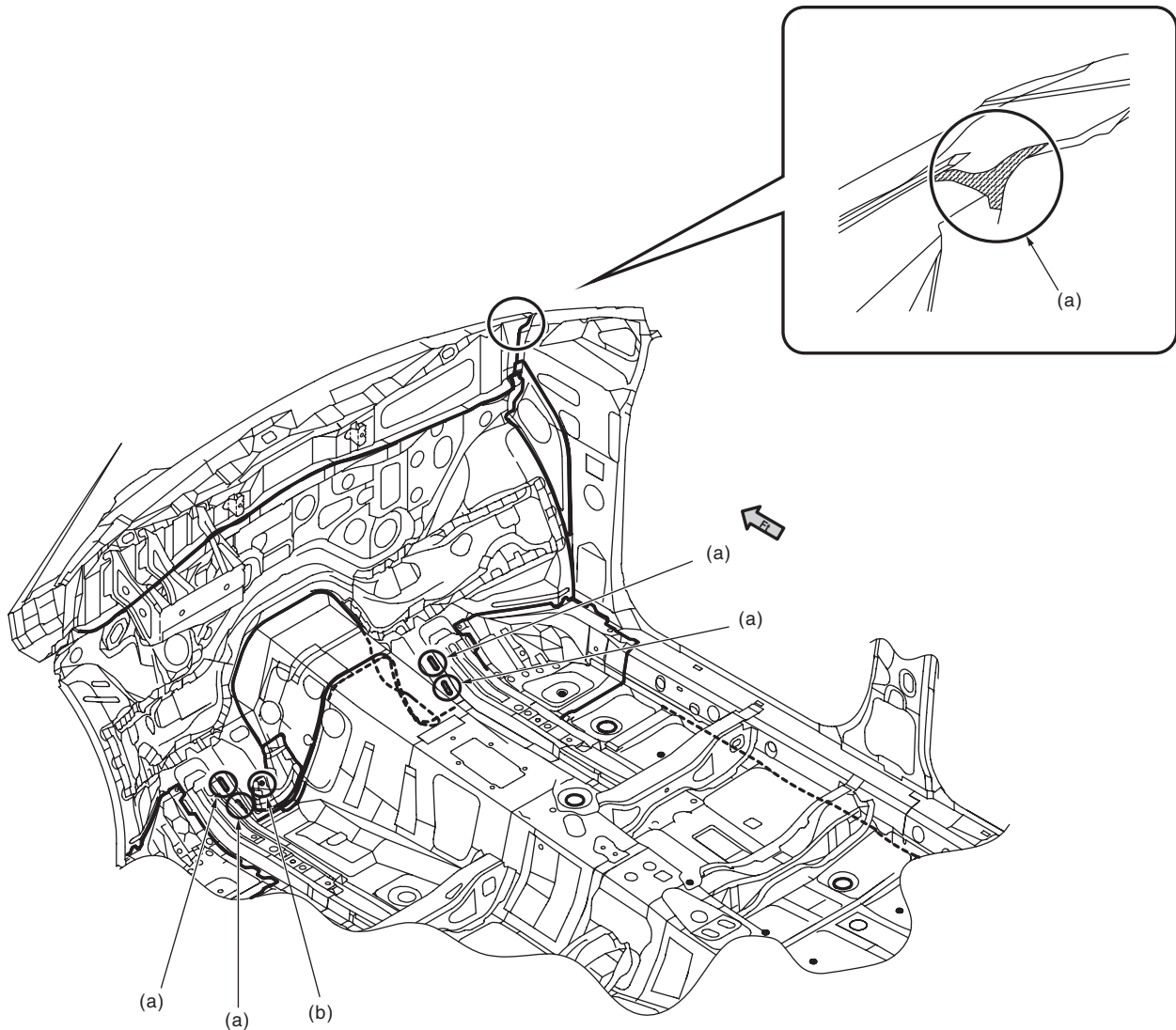
BS-01662

View G



BS-01663

View H



BS-01712

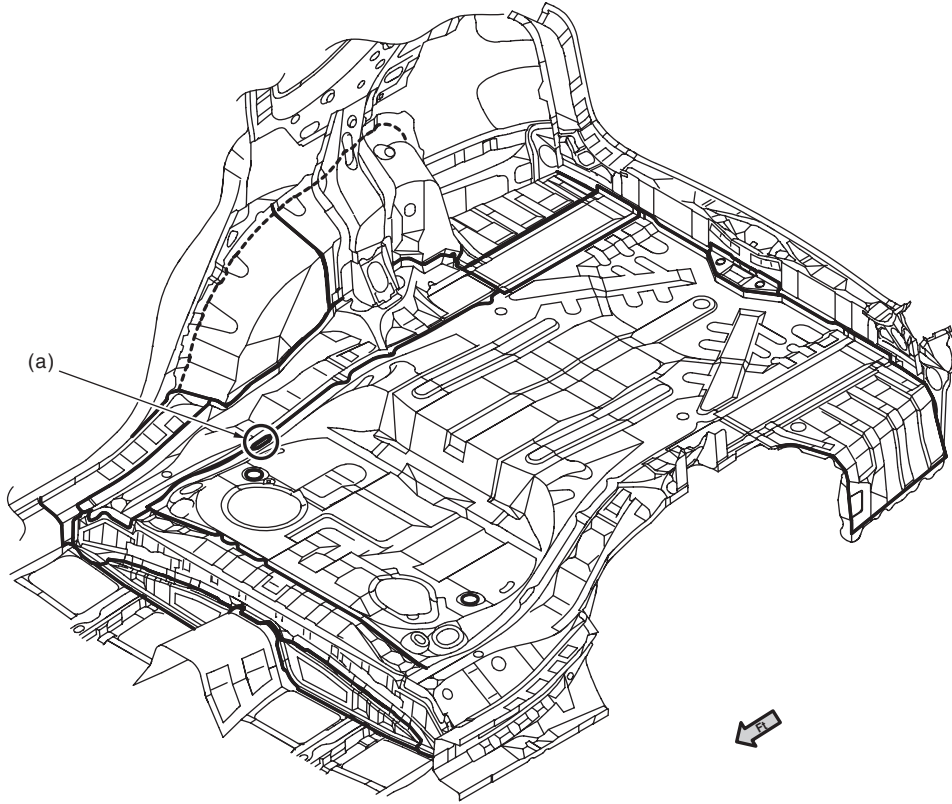
(a) The holes shall be blocked.

(b) The holes shall be blocked.
LH side: one location
RH side: two locations

Body Sealing

BODY STRUCTURE

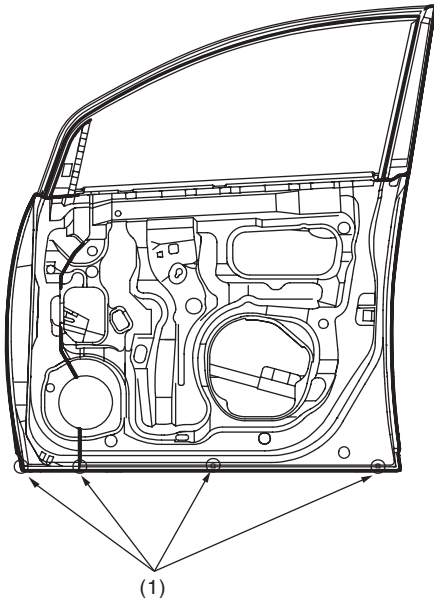
View I



BS-01707

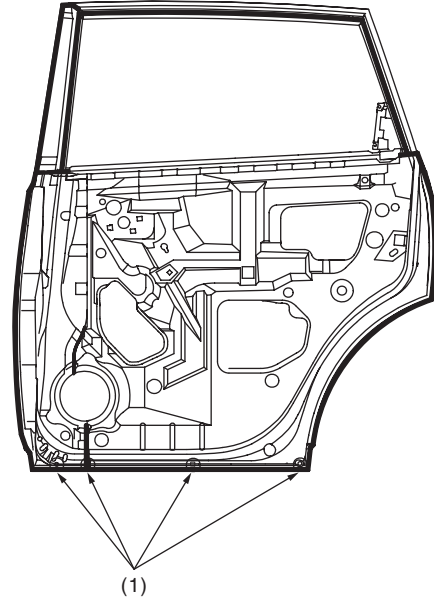
(a) The holes shall be blocked.

View J



BS-01713

View K

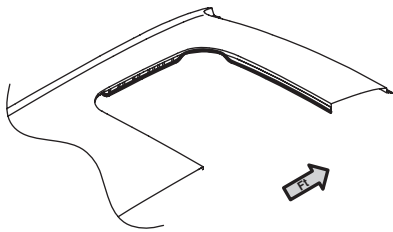


BS-01714

(1) Do not block the water drain holes.

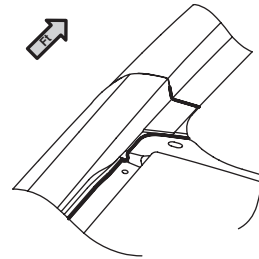
(1) Do not block the water drain holes.

View L



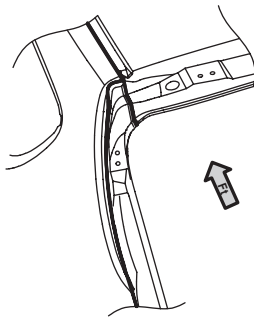
BS-01668

View M



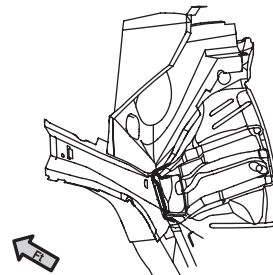
BS-01669

View N



BS-01670

View O

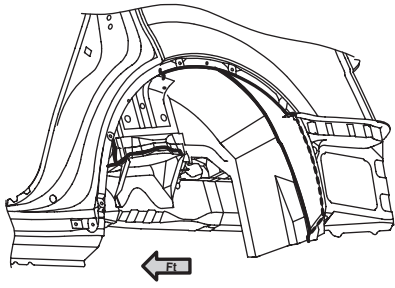


BS-01671

Body Sealing

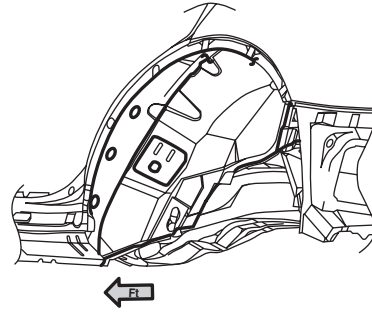
BODY STRUCTURE

View P



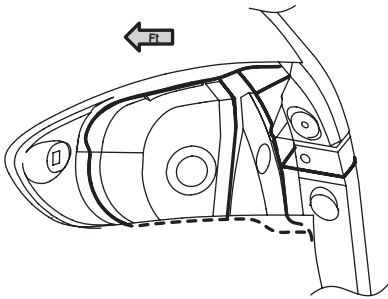
BS-01708

View Q



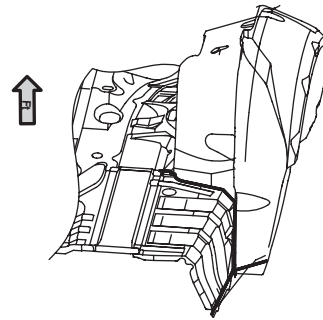
BS-01709

View R



BS-01674

View S



BS-01675