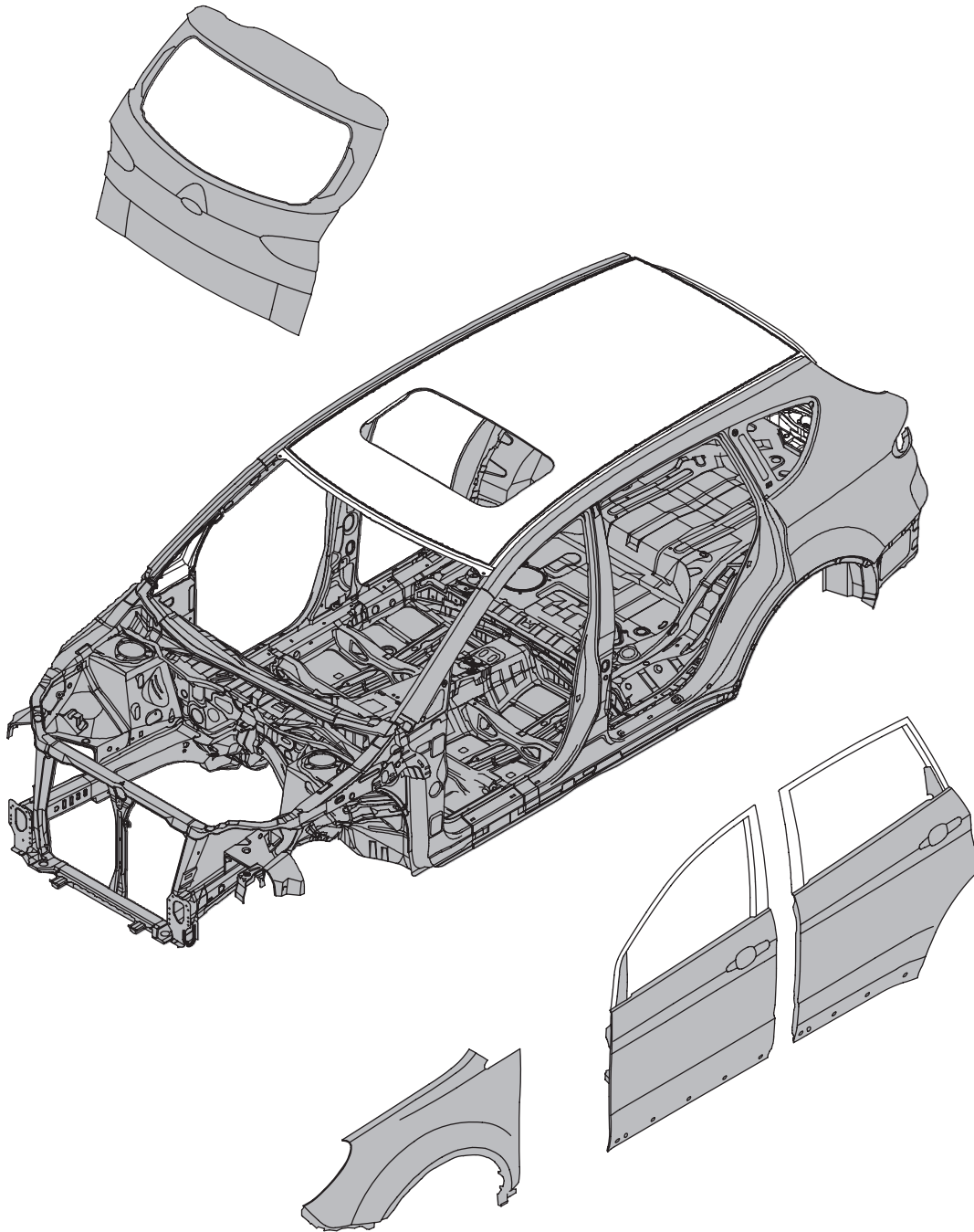


6. Galvanized Sheet Metal

A: SPECIFICATION

■ (1)



BS-01696

(1) Galvanized on both sides