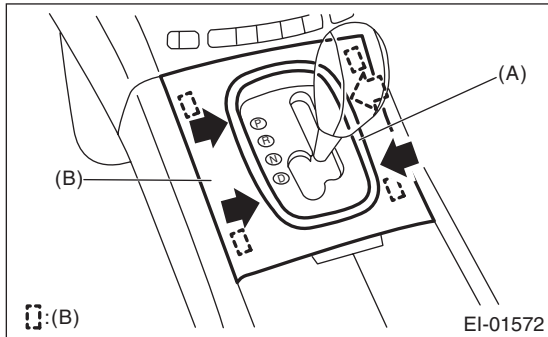


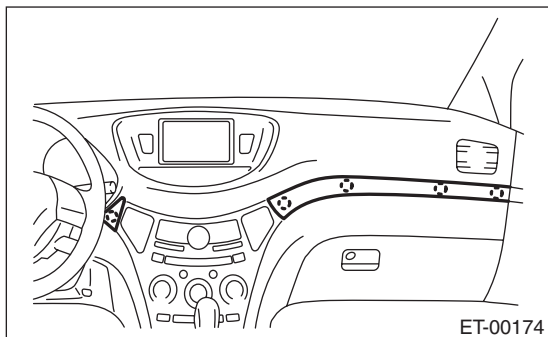
10. Audio

A: REMOVAL

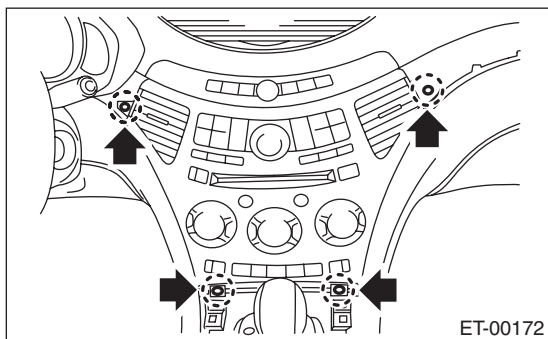
- 1) Disconnect the ground cable from the battery.
- 2) Remove the ring indicator (A) and console front panel (B).



- 3) Remove the instrument ornament on passenger's seat and inner panels on driver's seat.

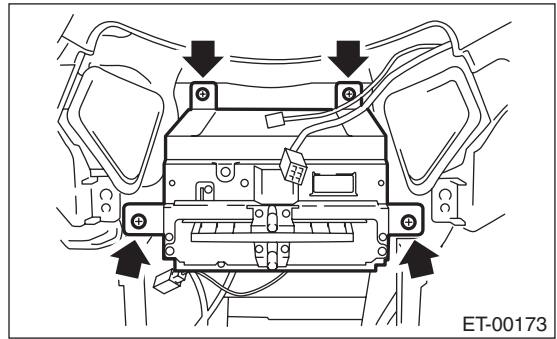


- 4) Remove the screws, and pull out the front control panel.



- 5) Disconnect the harness connectors and remove the front control panel.

- 6) Remove the screws, and partially pull the audio out from center console.



- 7) Disconnect the harness connector and antenna feeder cord, and then remove the audio.

B: INSTALLATION

Install in the reverse order of removal.