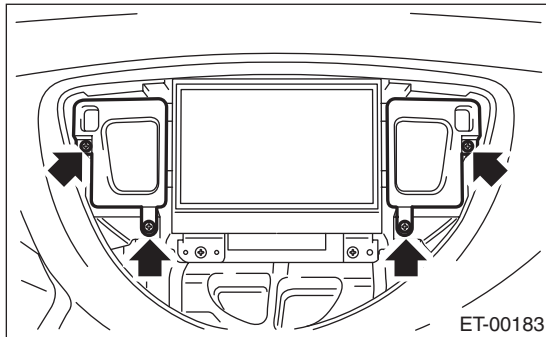


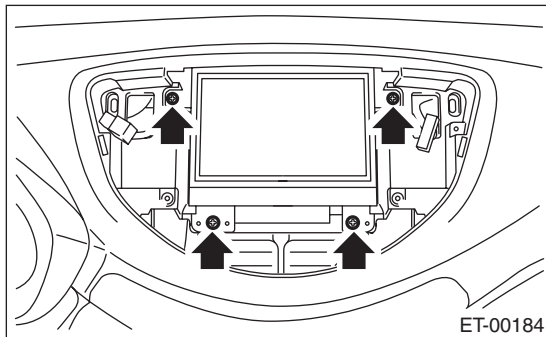
18. Navigation Display

A: REMOVAL

- 1) Disconnect the ground cable from the battery.
- 2) Remove the upper grille. <Ref. to AC-49, UPPER GRILL, REMOVAL, Air Vent Grille.>
- 3) Remove the warning box.



- 4) Remove the screws and then remove the navigation display.



B: INSTALLATION

Install in the reverse order of removal.