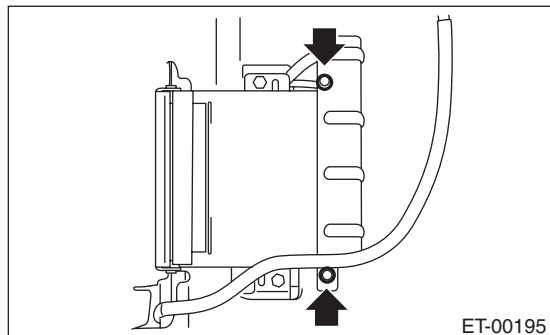


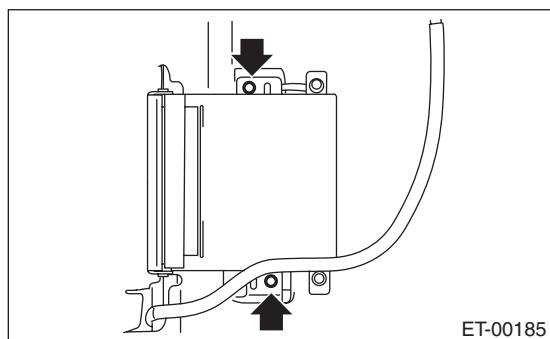
19.Navigation Body

A: REMOVAL

- 1) Disconnect the ground cable from the battery.
- 2) Slide the driver's seat to the forward position.
- 3) Remove the cover attachment bolts, and remove the cover.



- 4) Disconnect the connector.
- 5) Remove the bolts and then remove the navigation unit.



B: INSTALLATION

Install in the reverse order of removal.