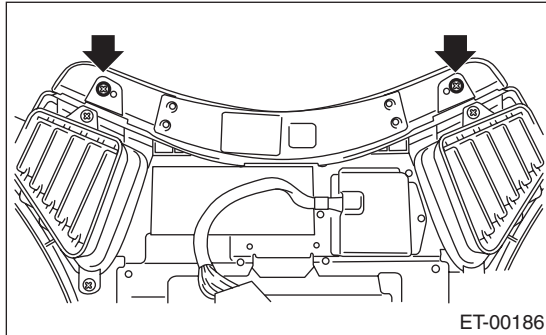


20. Navigation Switch

A: REMOVAL

- 1) Disconnect the ground cable from the battery.
- 2) Remove the control panel. <Ref. to ET-10, REMOVAL, Control Panel.>
- 3) Remove the screws and then remove the navigation switch.



B: INSTALLATION

Install in the reverse order of removal.