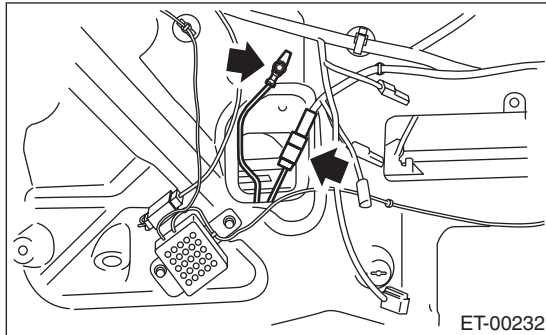


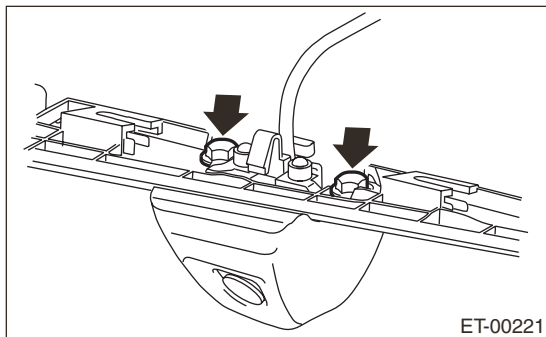
22.Rearview Camera

A: REMOVAL

- 1) Disconnect the ground cable from the battery.
- 2) Remove the rear gate trim and disconnect the rear view camera connector and the ground cable.
<Ref. to EI-51, REMOVAL, Rear Gate Trim.>



- 3) Detach the license light assembly. <Ref. to LI-27, REMOVAL, License Plate Light Assembly.>
- 4) Remove the bolt from the license light assembly, and remove the rear view camera.



B: INSTALLATION

Install in the reverse order of removal.

NOTE:

Make sure the maker position of the rear view camera after installation. <Ref. to ET-7, ADJUSTMENT, Rearview Camera System.>