

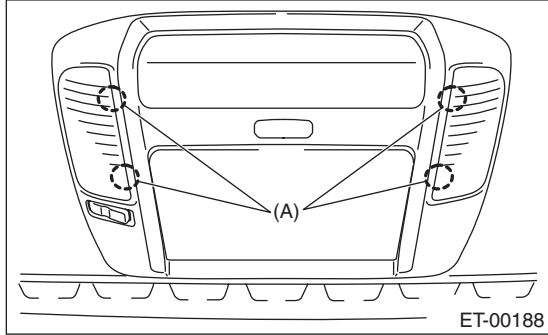
# Rear Entertainment

## ENTERTAINMENT

### 26.Rear Entertainment

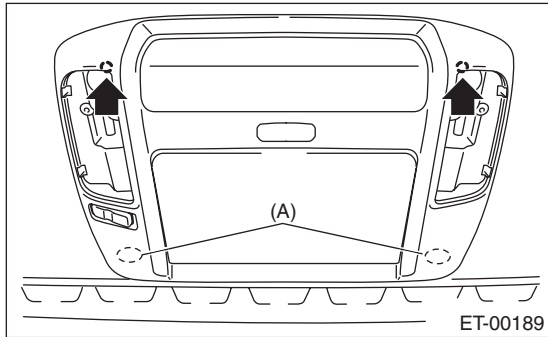
#### A: REMOVAL

- 1) Disconnect the ground cable from the battery.
- 2) Insert a flat tip screw driver in the ○ section, and remove the room light lens.



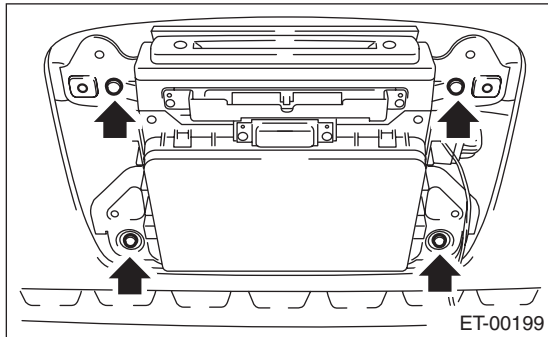
(A) Cutout

- 3) Remove the bolts, and then remove the monitor cover.

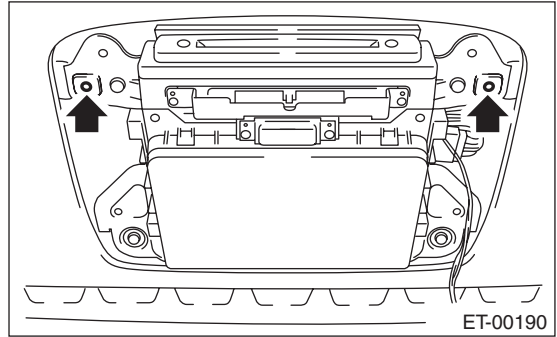


(A) Clip

- 4) Remove the 4 mounting bolts.



- 5) Remove the temporary screws and remove the monitor body.



#### NOTE:

Always support with one hand to prevent the unit from falling.

- 6) Remove the temporary clips from the roof brace.

#### B: INSTALLATION

- 1) Attach the temporary clip and temporary screw to the rear entertainment system body.

#### NOTE:

When installing a new rear entertainment system, a clip is supplied on the unit, and step 1) can be omitted.

- 2) Place the hook of the rear entertainment unit on the roof brace section.
- 3) Affix the temporary fixture clips on the roof brace.
- 4) Tighten the 4 attachment bolts, and connect the connector.
- 5) Connect the room light connector, attach the cover and affix with the bolts.
- 6) Attach the room light lens from the outside of the vehicle and snap into place.