

## 30. Steering Satellite Switch

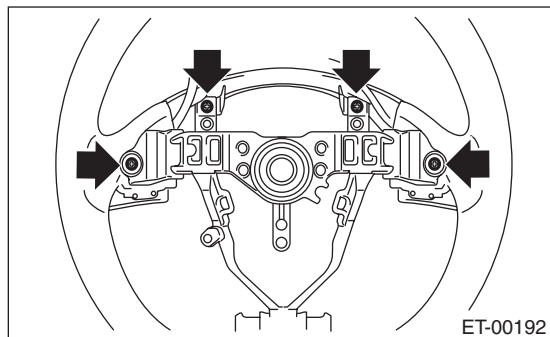
### A: REMOVAL

- 1) Disconnect the ground cable from the battery.
- 2) Set the tire to the straight-ahead position.
- 3) Remove the airbag module. <Ref. to AB-14, REMOVAL, Driver's Airbag Module.>

#### WARNING:

If there are airbag modules mounted, always refer to "Airbag System" when performing airbag module service. <Ref. to AB-14, INSPECTION, Driver's Airbag Module.>

- 4) Remove the steering wheel. <Ref. to PS-14, REMOVAL, Steering Wheel.>
- 5) Remove the cover from steering wheel.
- 6) Remove two satellite switch mounting screws each from the left and right sides.

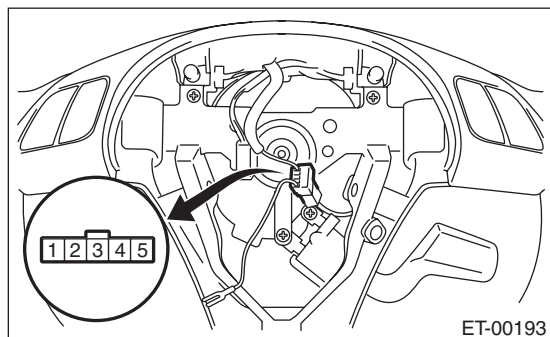


- 7) Remove the satellite switch.

### B: INSTALLATION

Install in the reverse order of removal.

### C: INSPECTION



# Steering Satellite Switch

ENTERTAINMENT

Step	Check	Yes	No
<b>1 CHECK MUTE SWITCH CONTINUITY.</b> 1) Press the mute switch. 2) Measure the resistance between satellite switch connector terminals. <b>Terminals</b> <b>No. 1 — No. 2:</b>	Is the resistance approx. 22 $\Omega$ ?	Go to step 2.	Replace the satellite switch.
<b>2 CHECK VOLUME SWITCH CONTINUITY.</b> 1) Press the volume switch. 2) Measure the resistance between satellite switch connector terminals. <b>Terminals</b> <b>No. 1 — No. 2: Volume up</b> <b>No. 1 — No. 2: Volume down</b>	Is the resistance approx. 90 $\Omega$ ? (Volume up) And is the resistance approx. 190 $\Omega$ ? (Volume down)	Go to step 3.	Replace the satellite switch.
<b>3 CHECK MODE SWITCH CONTINUITY.</b> 1) Press the MODE switch. 2) Measure the resistance between satellite switch connector terminals. <b>Terminals</b> <b>No. 1 — No. 2:</b>	Is the resistance approx. 330 $\Omega$ ?	Go to step 4.	Replace the satellite switch.
<b>4 CHECK SEEK SWITCH CONTINUITY.</b> 1) Press the seek switch. 2) Measure the resistance between satellite switch connector terminals. <b>Terminals</b> <b>No. 1 — No. 2: Seek up</b> <b>No. 1 — No. 2: Seek down</b>	Is the resistance approx. 600 $\Omega$ ? (Seek up) And is the resistance approx. 1.1 k $\Omega$ ? (Seek down)	Go to step 5.	Replace the satellite switch.
<b>5 CHECK SATELLITE SWITCH INSULATION.</b> 1) Not to operate the satellite switch. 2) Measure the resistance between satellite switch connector terminals. <b>Terminals</b> <b>No. 1 — No. 2:</b>	Is the resistance approx. 4.7 k $\Omega$ ?	Satellite switch is normal.	Replace the satellite switch.

# Steering Satellite Switch

ENTERTAINMENT

---

# COMMUNICATION SYSTEM

# COM

---

	<b>Page</b>
1. General Description .....	2
2. Horn System .....	3
3. Horn .....	4
4. Horn Switch .....	5