

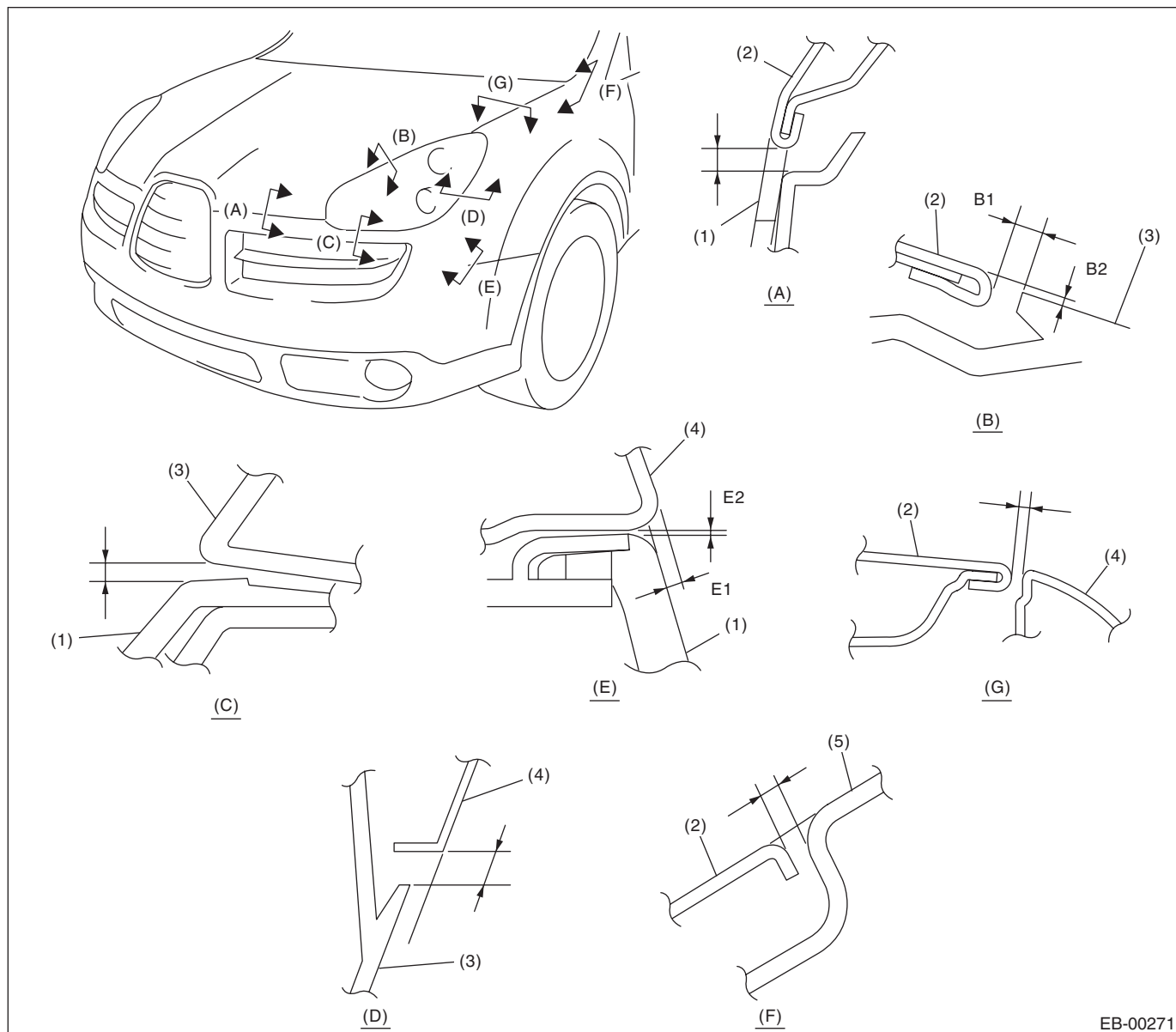
General Description

EXTERIOR BODY PANELS

1. General Description

A: SPECIFICATION

1. FRONT



EB-00271

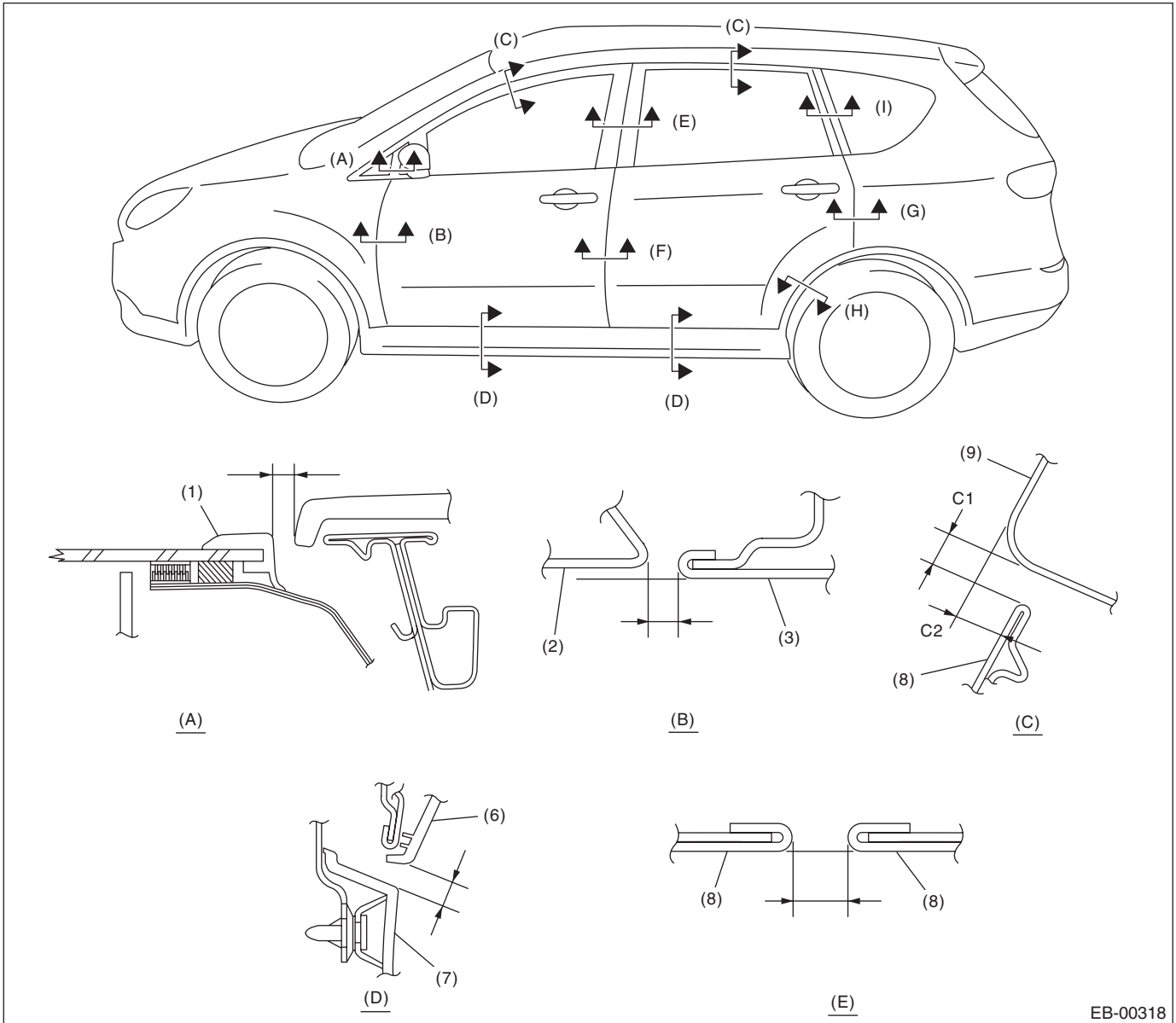
- (1) Front bumper
- (2) Front hood panel

- (3) Headlight
- (4) Front fender panel

- (5) Front pillar

Section	Part	Specification
(A)	Front hood panel to Front bumper	5.0±1.0 mm (0.20±0.04 in)
(B)	Front hood panel to Headlight	3.5±1.0 mm (0.14±0.04 in)
(C)	Headlight to Front bumper	3.0±1.0 mm (0.12±0.04 in)
(D)	Headlight to Front fender panel	1.5±0.7 mm (0.06±0.03 in)
(E)	Front bumper to Front fender panel	E1: 0.7±0.5 mm (0.03±0.02 in) E2: 0.3 — 0.4 mm (0.012 — 0.016 in)
(F)	Front fender panel to Front pillar	2.0±0.5 mm (0.08±0.02 in)
(G)	Front hood panel to Front bumper	3.5±1.0 mm (0.14±0.04 in)

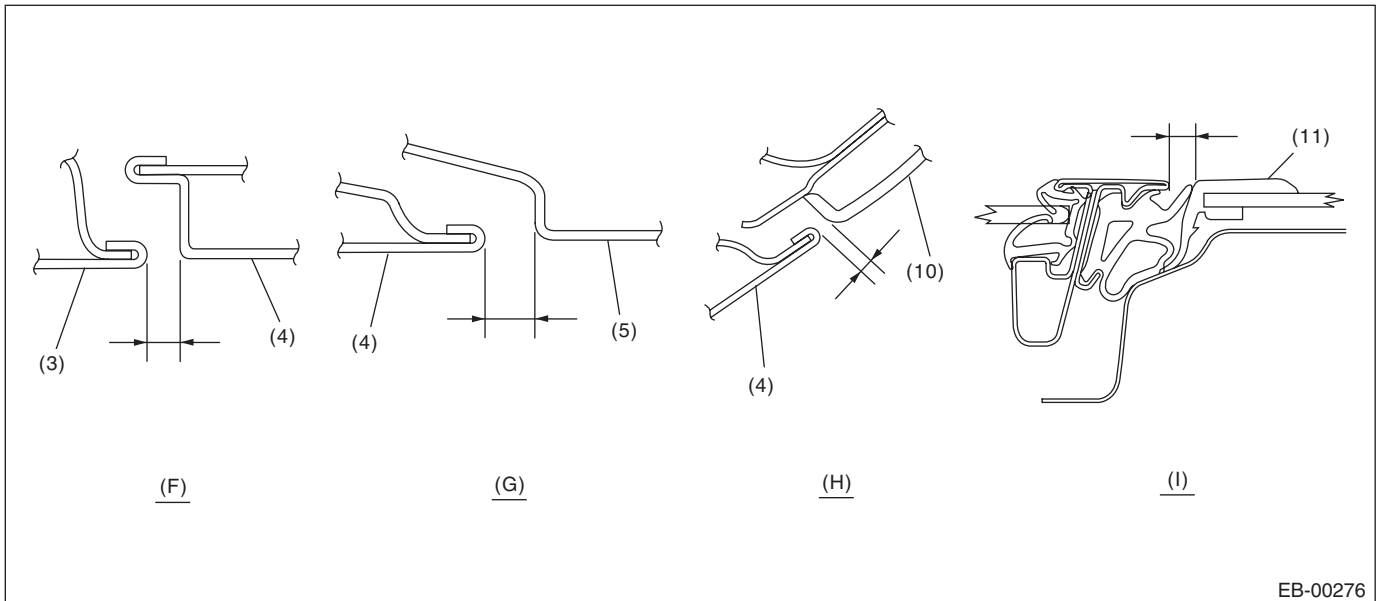
2. SIDE



EB-00318

General Description

EXTERIOR BODY PANELS

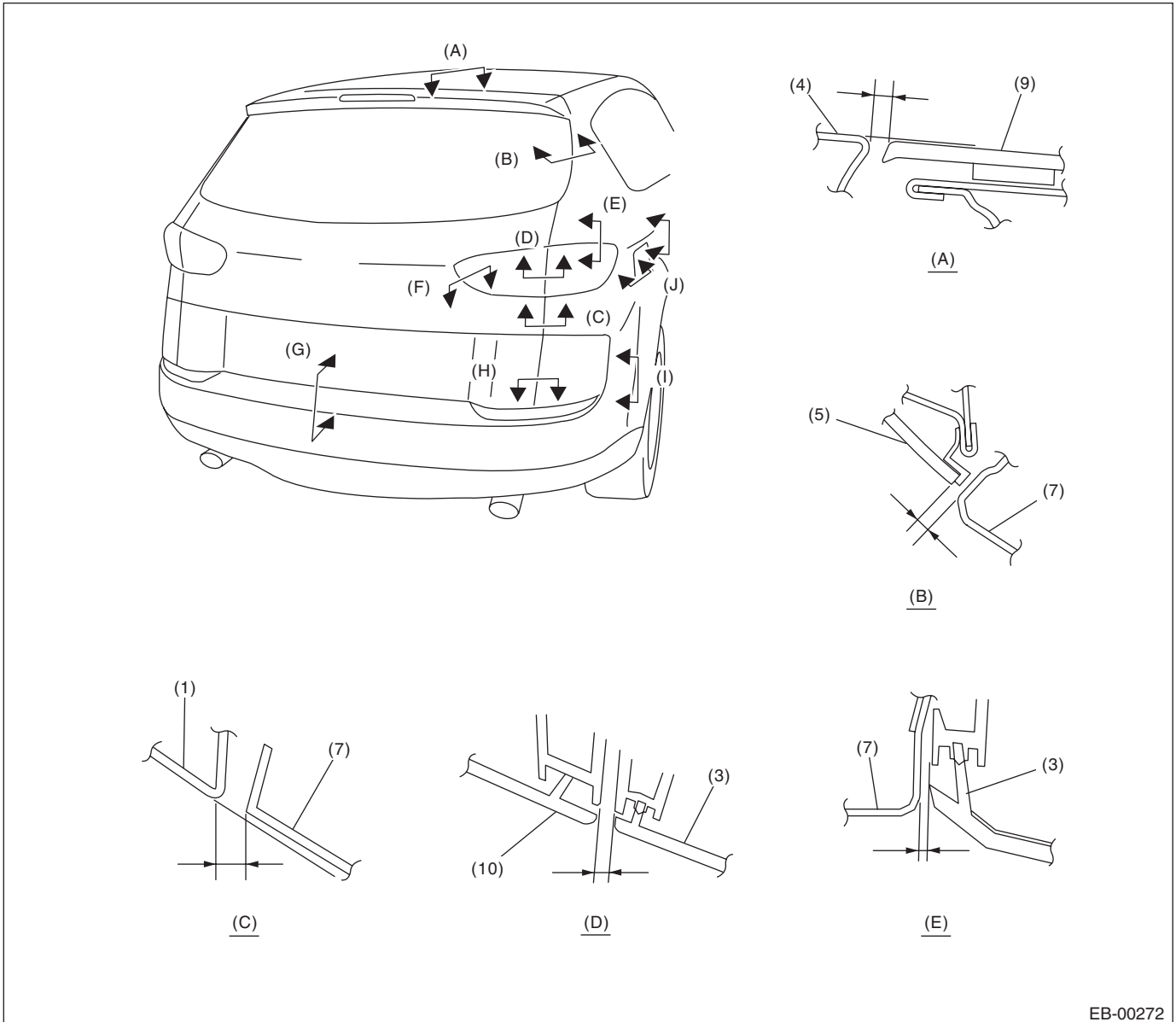


EB-00276

- | | | |
|-------------------------|------------------------|---------------------------|
| (1) Front quarter glass | (5) Rear quarter panel | (9) Roof panel |
| (2) Front fender panel | (6) Door garnish | (10) Rear quarter garnish |
| (3) Front door panel | (7) Side sill garnish | (11) Rear quarter glass |
| (4) Rear door panel | (8) Door sash | |

Section	Part	Specification
(A)	Front quarter glass and the peripheral area	5.0±1.5 mm (0.20±0.06 in)
(B)	Front fender panel to Front door panel	4.0±1.0 mm (0.16±0.04 in)
(C)	Door sash to Roof panel	C1: 5.0±1.0 mm (0.20±0.04 in) C2: 4.0±1.0 mm (0.16±0.04 in)
(D)	Door garnish to Side sill garnish	8.0±1.5 mm (0.31±0.06 in)
(E)	Front door sash to Rear door sash	5.6±1.0 mm (0.22±0.04 in)
(F)	Front door panel to Rear door panel	4.6±1.0 mm (0.18±0.04 in)
(G)	Rear door panel to Rear quarter panel	4.0±1.0 mm (0.16±0.04 in)
(H)	Rear quarter garnish to Rear door panel	4.0±1.0 mm (0.16±0.04 in)
(I)	Between rear door sash to Rear quarter glass	5.0±1.5 mm (0.20±0.06 in)

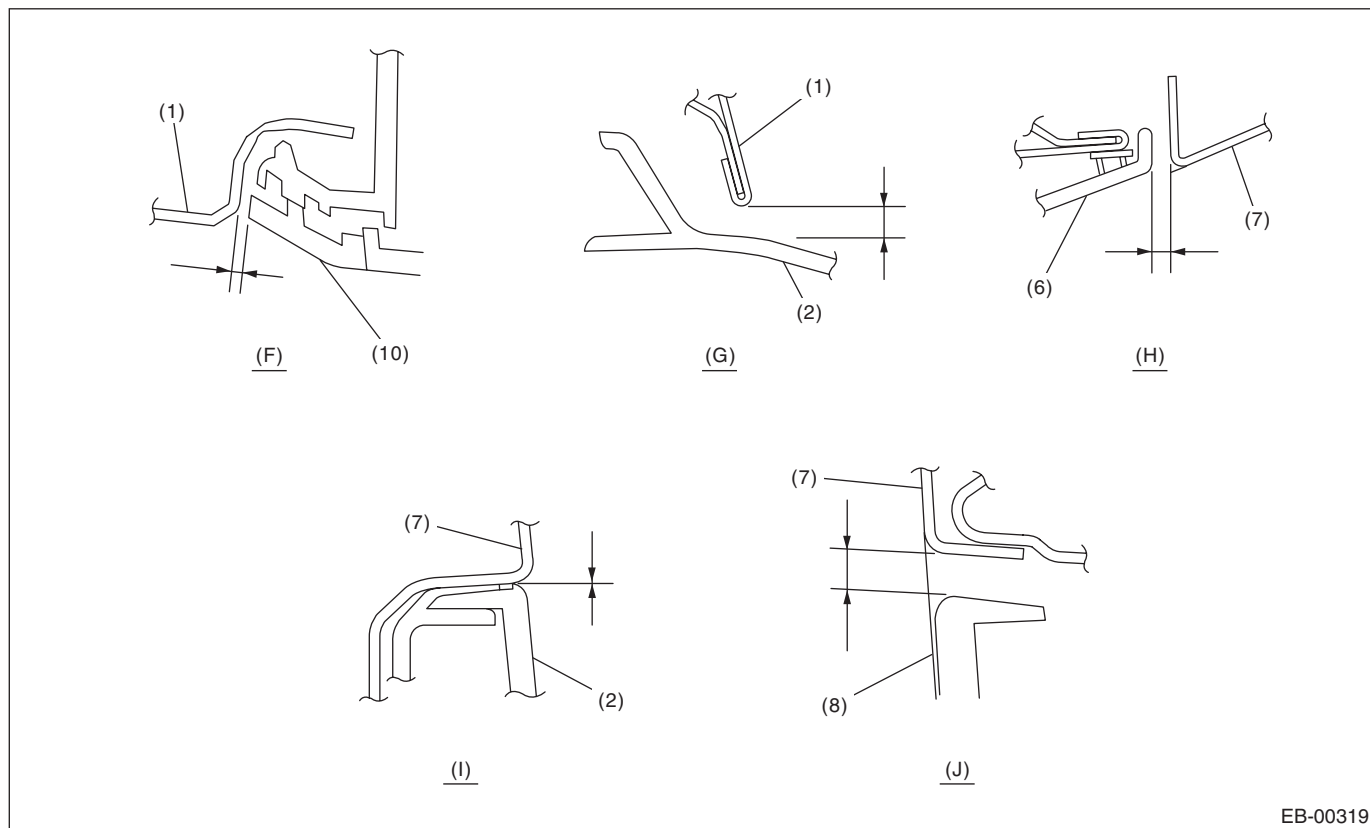
3. REAR



EB-00272

General Description

EXTERIOR BODY PANELS



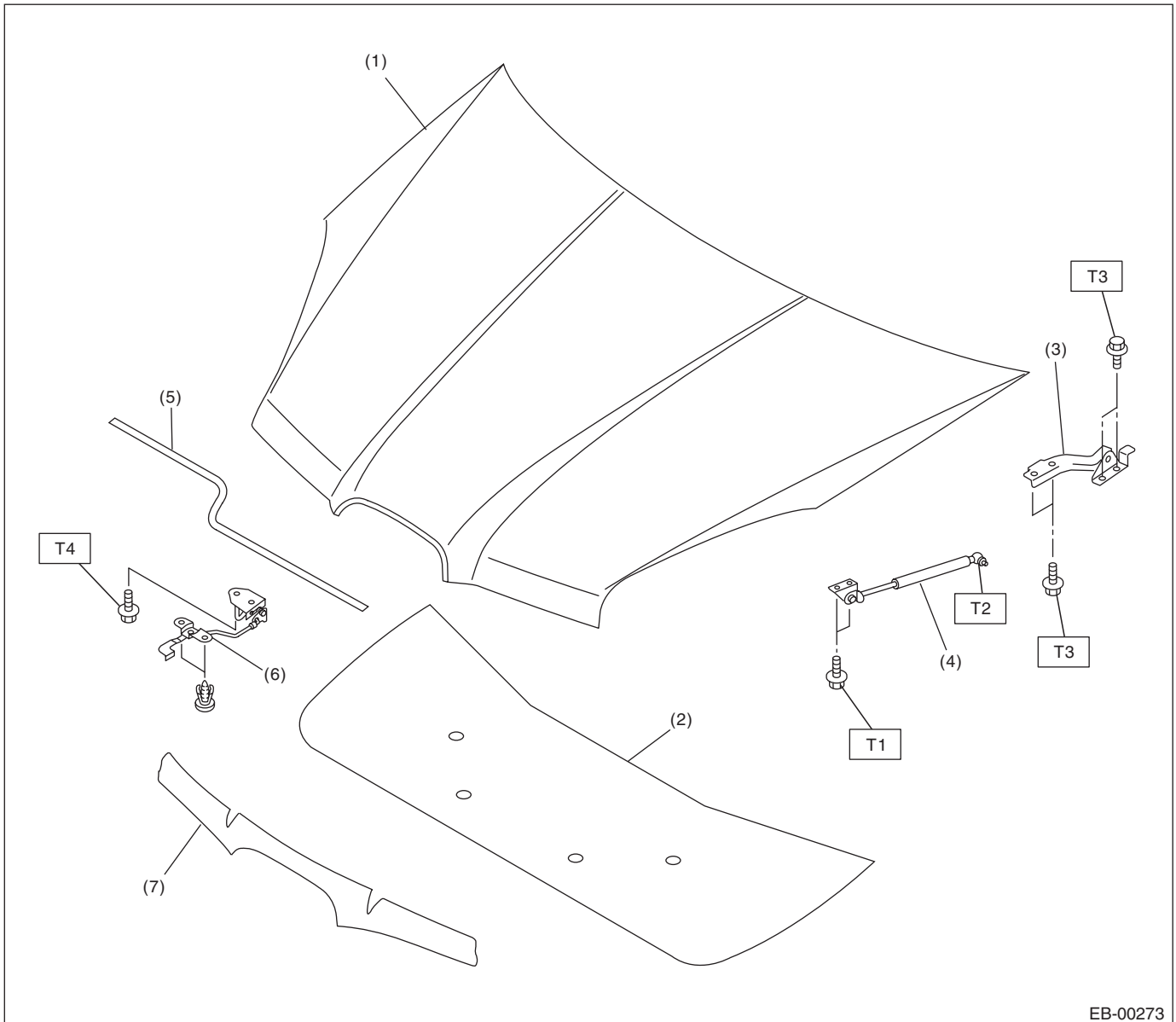
EB-00319

- | | | |
|----------------------------|------------------------|--------------------------|
| (1) Rear gate panel | (5) Rear gate glass | (8) Fuel filler flap lid |
| (2) Rear bumper | (6) Rear gate garnish | (9) Roof spoiler |
| (3) Rear combination light | (7) Rear quarter panel | (10) Rear finisher light |
| (4) Roof panel | | |

Section	Part	Specification
(A)	Roof panel to Roof spoiler	5.5±1.0 mm (0.22±0.04 in)
(B)	Rear gate glass to Rear quarter panel	5.0±1.0 mm (0.20±0.04 in)
(C)	Rear gate panel to Rear quarter panel	4.0±1.0 mm (0.16±0.04 in)
(D)	Rear finisher light to Rear combination light	4.0±1.0 mm (0.16±0.04 in)
(E)	Rear quarter panel to Rear combination light	1.5±0.7 mm (0.06±0.03 in)
(F)	Rear finisher light to Rear gate light	1.5±0.7 mm (0.06±0.03 in)
(G)	Rear gate panel to Rear bumper	7.0±1.5 mm (0.28±0.06 in)
(H)	Rear quarter panel to Rear gate garnish	4.0±1.0 mm (0.16±0.04 in)
(I)	Rear quarter panel to Rear bumper	0.3 — 0.4 mm (0.012 — 0.016 in)
(J)	Area around the Fuel filler flap lid to Quarter panel	3.5±0.5 mm (0.14±0.02 in)

B: COMPONENT

1. FRONT HOOD



EB-00273

- | | |
|------------------------------|------------------------------------|
| (1) Front hood panel | (6) Front hood release handle ASSY |
| (2) Front hood insulator | (7) Front grille weatherstrip |
| (3) Front hood hinge | |
| (4) Front hood damper | |
| (5) Front hood weather strip | |

Tightening torque: N·m (kgf·m, ft·lb)

T1: 7.5 (0.76, 5.5)

T2: 20 (2.04, 14.5)

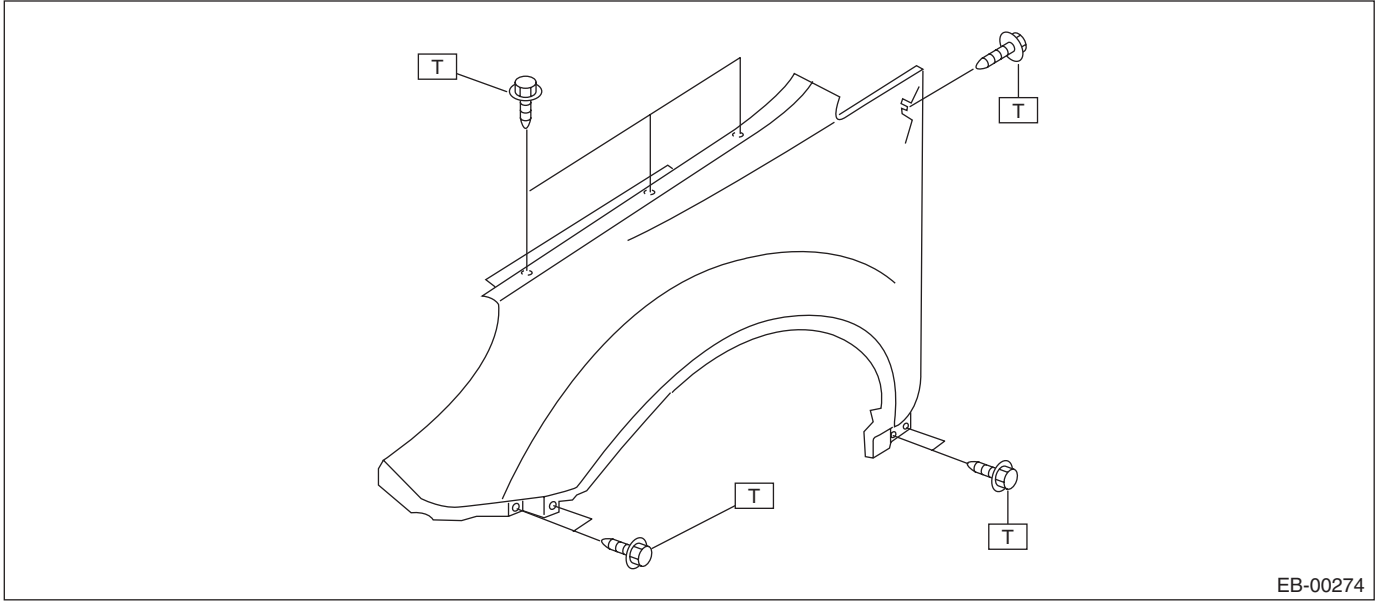
T3: 24.5 (2.5, 18.1)

T4: 33 (3.4, 24.5)

General Description

EXTERIOR BODY PANELS

2. FRONT FENDER PANEL

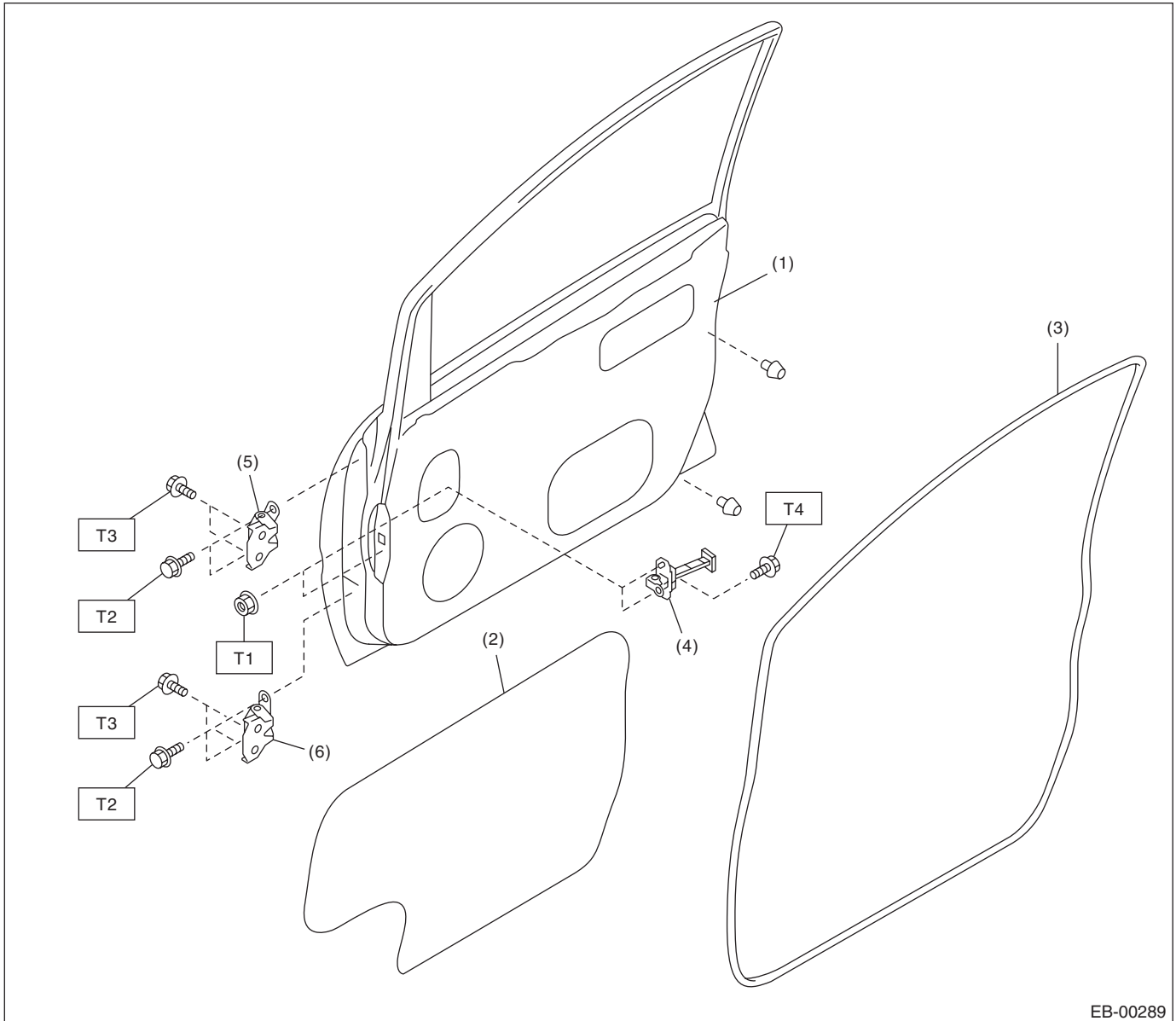


EB-00274

Tightening torque: N·m (kgf·m, ft·lb)

T: 7.4 (0.75, 5.5)

3. FRONT DOOR PANEL



EB-00289

- | | |
|------------------------------|-----------------|
| (1) Front door panel | (6) Lower hinge |
| (2) Sealing cover | |
| (3) Front door weather strip | |
| (4) Checker | |
| (5) Upper hinge | |

Tightening torque: N·m (kgf·m, ft·lb)

T1: 7.4 (0.75, 5.5)

T2: 24.5 (2.5, 18.1)

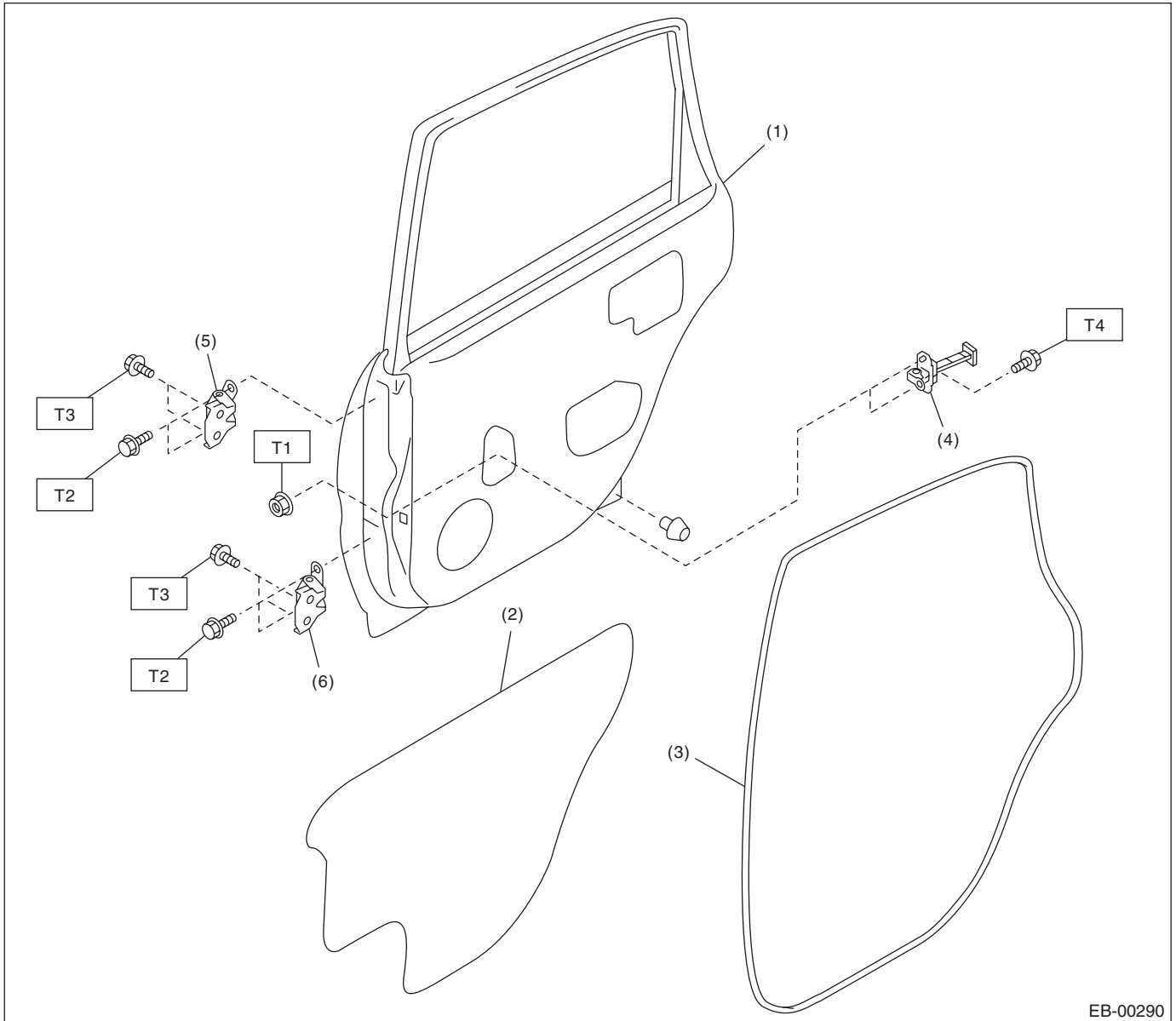
T3: 29.4 (3.0, 21.7)

T4: 32.3 (3.3, 23.8)

General Description

EXTERIOR BODY PANELS

4. REAR DOOR PANEL



EB-00290

(1) Rear door panel

(6) Lower hinge

(2) Sealing cover

(3) Rear door weather strip

(4) Checker

(5) Upper hinge

Tightening torque: N·m (kgf·m, ft·lb)

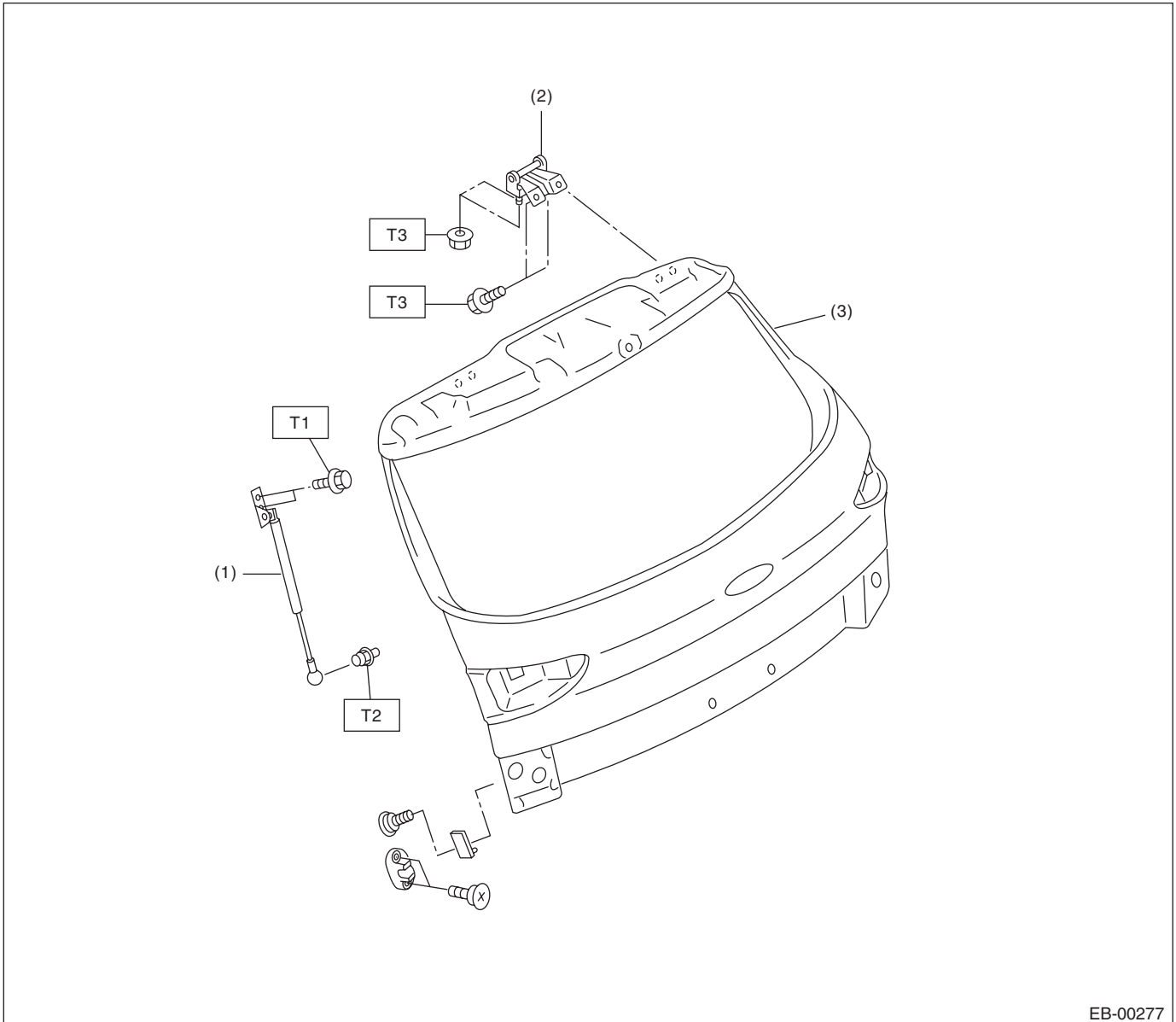
T1: 7.4 (0.75, 5.5)

T2: 24.5 (2.5, 18.1)

T3: 29.4 (3.0, 21.7)

T4: 32.3 (3.3, 23.8)

5. REAR GATE PANEL



EB-00277

- (1) Rear gate damper stay
- (2) Hinge
- (3) Rear gate panel

Tightening torque: N·m (kgf·m, ft·lb)

T1: 16 (1.63, 11.5)

T2: 20 (2.04, 14.5)

T3: 25 (2.6, 18.4)

General Description

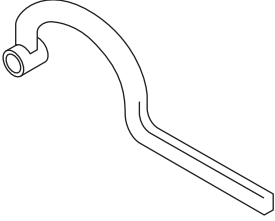
EXTERIOR BODY PANELS

C: CAUTION

- Exterior body panels are heavy. Do not drop and damage the panels. During removal and installation, do not damage the panel painting surface.
- While removing mounting bolts, using assistance devices such as a support jack will help support the panel.
- Be careful not to lose small parts.

D: PREPARATION TOOL

1. SPECIAL TOOL

ILLUSTRATION	TOOL NUMBER	DESCRIPTION	REMARKS
 ST-925610000	925610000	WRENCH	Used for removing and installing door hinge.

2. GENERAL TOOL

TOOL NAME	REMARKS
Support jack	Used for supporting door panel.
Clip remover	Used for removing various types of clips