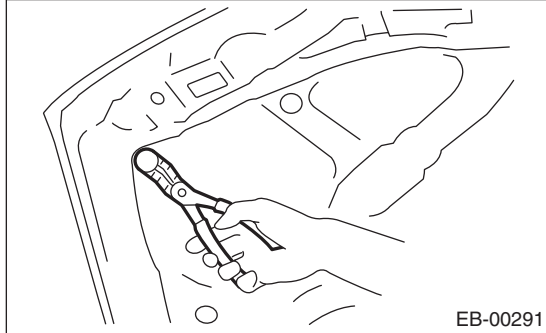


2. Front Hood

A: REMOVAL

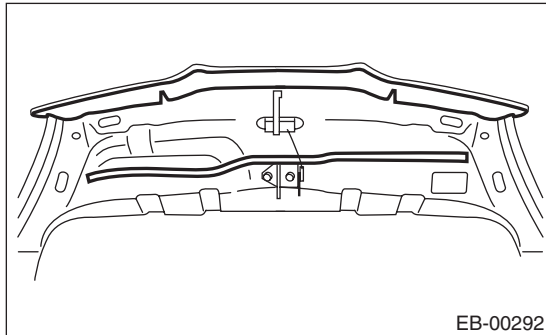
1. FRONT HOOD INSULATOR

1) Release the clips to remove the front hood insulator.



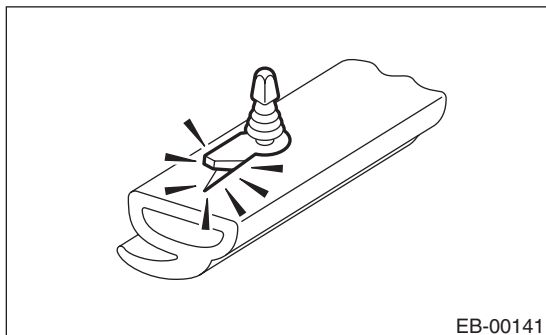
2. FRONT HOOD WEATHER STRIP

1) Remove the weather strip.



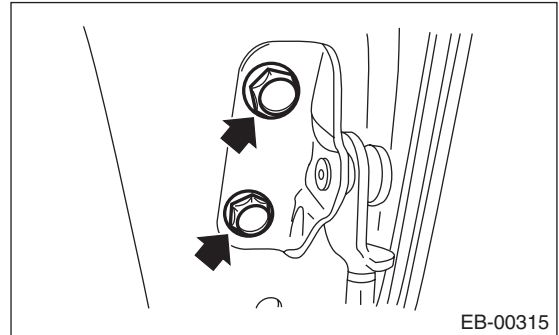
NOTE:

If the weather strip clip is removed with excessive force, the weather strip may be damaged. Be sure to use clip remover to remove.

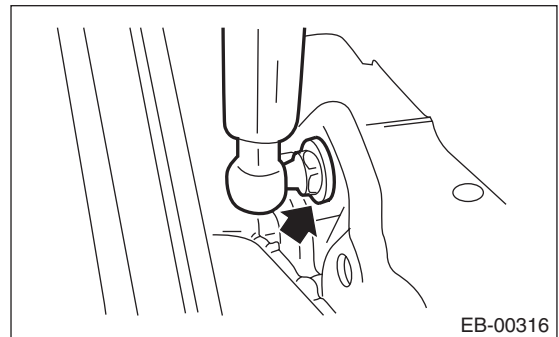


3. FRONT HOOD DAMPER

1) Remove the mounting bolts, and remove the damper stay.

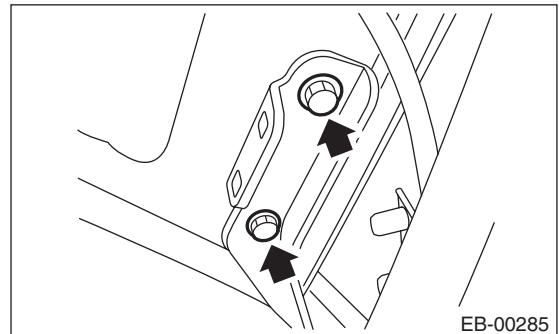


2) Remove the mounting bolt of front hood damper stay.

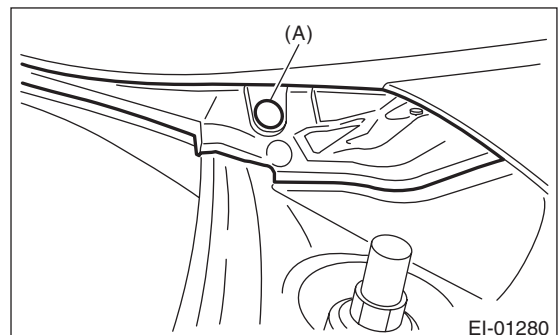


4. FRONT HOOD HINGE

1) Remove the front hood damper.
2) Remove the bolt, and remove the front hood panel.



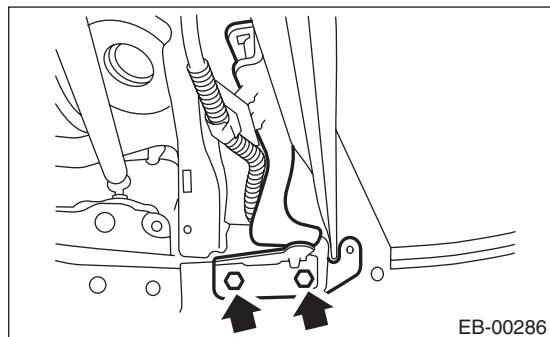
3) Remove the clip, and remove the cowl side panel front.



Front Hood

EXTERIOR BODY PANELS

- 4) Remove the front fender. <Ref. to EB-15, REMOVAL, Front Fender.>
- 5) Remove the bolts of front hood hinge.

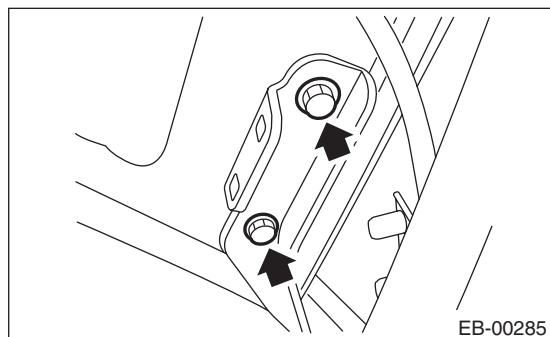


5. FRONT HOOD STRIKER

Refer to the front hood lock assembly of SL section. <Ref. to SL-43, Front Hood Lock Assembly.>

6. FRONT HOOD PANEL

- 1) Remove the front hood insulator.
- 2) Open the front hood to remove the window washer hose.
- 3) Remove the front hood weather strip.
- 4) Remove the hood lock assembly. <Ref. to SL-43, REMOVAL, Front Hood Lock Assembly.>
- 5) Remove the window washer hose and nozzle. <Ref. to WW-17, REMOVAL, Front Washer Nozzle.>
- 6) Remove the front hood damper.
- 7) Remove the bolt, and remove the front hood panel from the front hood hinge.



B: INSTALLATION

Install in the reverse order of removal.

NOTE:

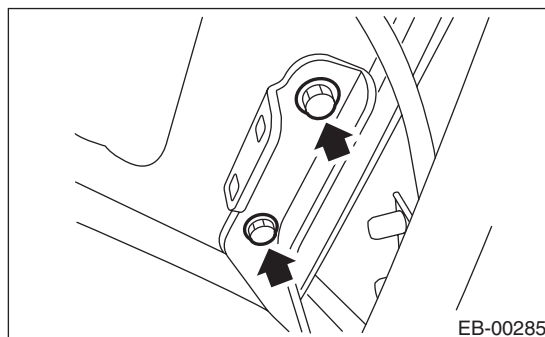
Be careful not to catch the window washer hose in.

Tightening torque:

Refer to "COMPONENT" of "General Description". <Ref. to EB-7, FRONT HOOD, COMPONENT, General Description.>

C: ADJUSTMENT

- 1) Adjust the clearance between front hood panel and front fender panel. Clearance must be equal at both sides. For the dimension of clearance, refer to "SPECIFICATION" in "General Description". <Ref. to EB-2, SPECIFICATION, General Description.>
- 2) Use the hinge mounting bolts to align the front hood longitudinal and lateral position.



- 3) Adjust the height at the front end of hood. <Ref. to SL-43, ADJUSTMENT, Front Hood Lock Assembly.>
- 4) Rotate the hood buffer to adjust lateral height.



D: DISPOSAL

For the disposal procedures of front hood damper stay, refer to the disposal procedures of rear gate damper stay. <Ref. to EB-24, REAR GATE DAMPER STAY, DISPOSAL, Rear Gate.>