

Front Door

EXTERIOR BODY PANELS

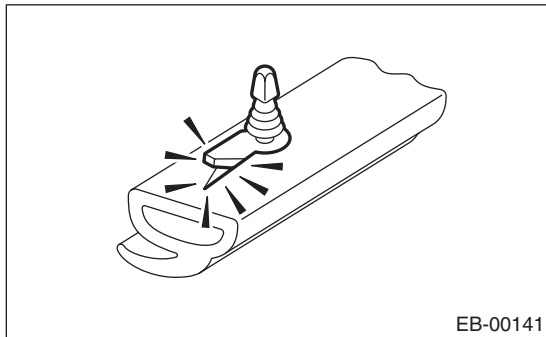
4. Front Door

A: REMOVAL

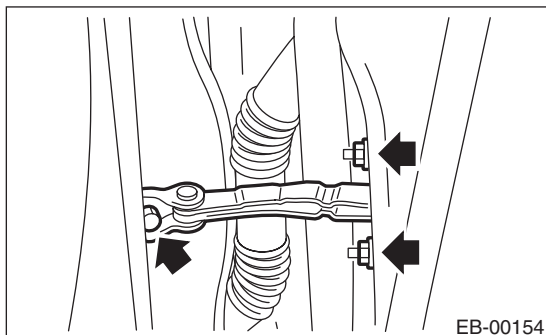
- 1) Disconnect the ground cable from the battery.
- 2) Remove the front door trim. <Ref. to EI-35, REMOVAL, Door Trim.>
- 3) Remove the outer mirror assembly. <Ref. to GW-13, REMOVAL, Outer Mirror Assembly.>
- 4) Remove the front door speaker. <Ref. to ET-15, REMOVAL, Front Speaker.>
- 5) Remove the sealing cover. <Ref. to EB-18, REMOVAL, Front Sealing Cover.>
- 6) Remove the front door glass. <Ref. to GW-9, REMOVAL, Front Door Glass.>
- 7) Remove the door sash, and remove the front door regulator and motor assemblies. <Ref. to GW-10, REMOVAL, Front Regulator and Motor Assembly.>
- 8) Remove the front inner remote. <Ref. to SL-33, REMOVAL, Front Inner Remote.>
- 9) Remove the front door latch assembly. <Ref. to SL-35, REMOVAL, Front Door Latch and Door Lock Actuator Assembly.>
- 10) Remove the front outer handle. <Ref. to SL-34, REMOVAL, Front Outer Handle.>
- 11) Remove the front door weather strip.

NOTE:

If the weather strip clip is removed with excessive force, the weather strip may be damaged. Be sure to use clip remover to remove.

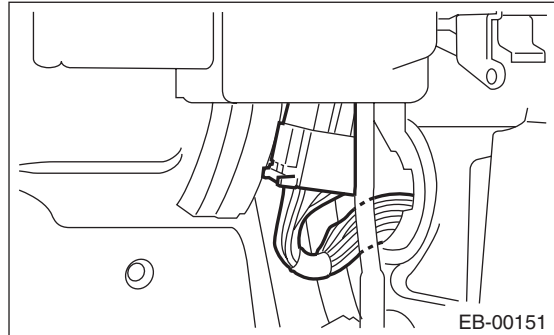


- 12) Remove the bolts and nuts to remove the door checker.

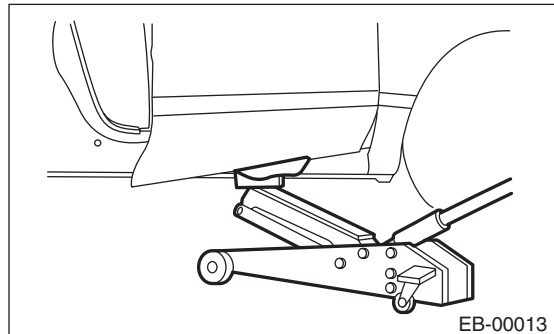


- 13) Remove the instrument panel lower cover or glove box lower cover. <Ref. to EI-36, REMOVAL, Instrument Panel Lower Cover.> or <Ref. to EI-37, REMOVAL, Glove Box.>

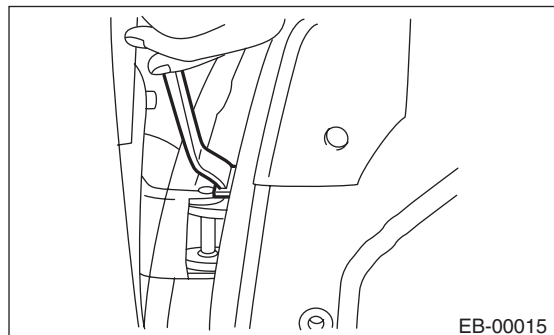
- 14) Disconnect the connector of door harness from body harness.



- 15) Put a wooden block on jack and place jack under the front door. Support the door with a jack to protect it from damage.



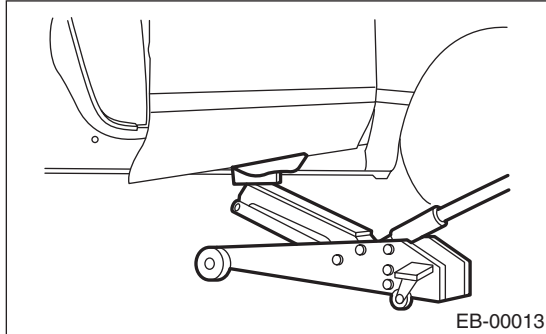
- 16) Remove the door-side bolts for upper and lower hinges to remove front door panel.



- 17) Remove the door hinge from vehicle.

B: INSTALLATION

- 1) Put a wooden block on jack and place the front door on that.



- 2) Apply grease to the sliding area of door hinges, and install the door hinge to vehicle.
- 3) Install the front door to upper hinge and lower hinge adjusting by jack.
- 4) Tighten bolt of door checker.
- 5) Connect door harness connector, and install the instrument panel lower cover.
- 6) Install the front pillar lower trim.

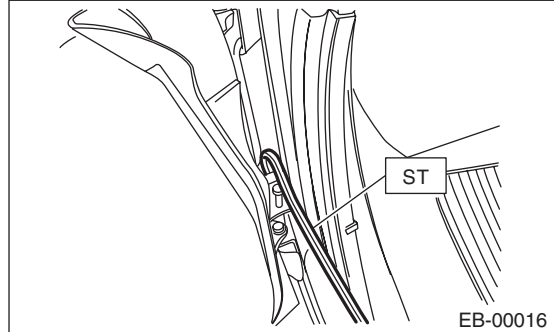
Tightening torque:

Refer to "COMPONENT" of "General Description".

<Ref. to EB-9, FRONT DOOR PANEL, COMPONENT, General Description.>

C: ADJUSTMENT

- 1) Using the ST, loosen the body-side bolts of upper and lower hinges to align the position for vertical and horizontal direction of the front door panel.
ST 925610000 DOOR HINGE WRENCH



- 2) Loosen the screw (A) and tap striker (B) using plastic hammer to adjust the gap between rear end surface of front door panel and front end surface of rear door.

CAUTION:

Do not use an impact wrench. Welding area on the striker nut plate is easily broken.

