

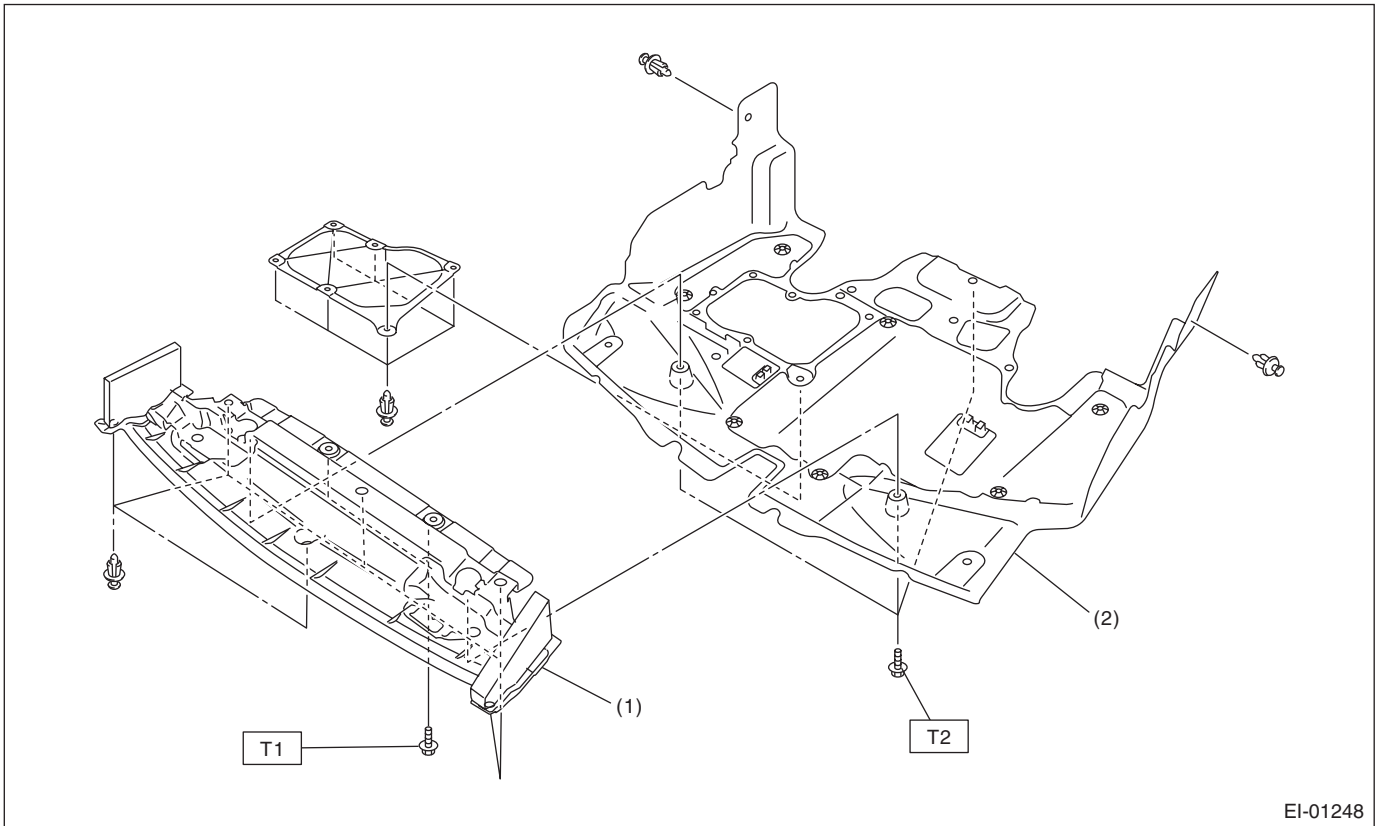
# General Description

EXTERIOR/INTERIOR TRIM

## 1. General Description

### A: COMPONENT

#### 1. UNDER COVER



(1) Front lower cover

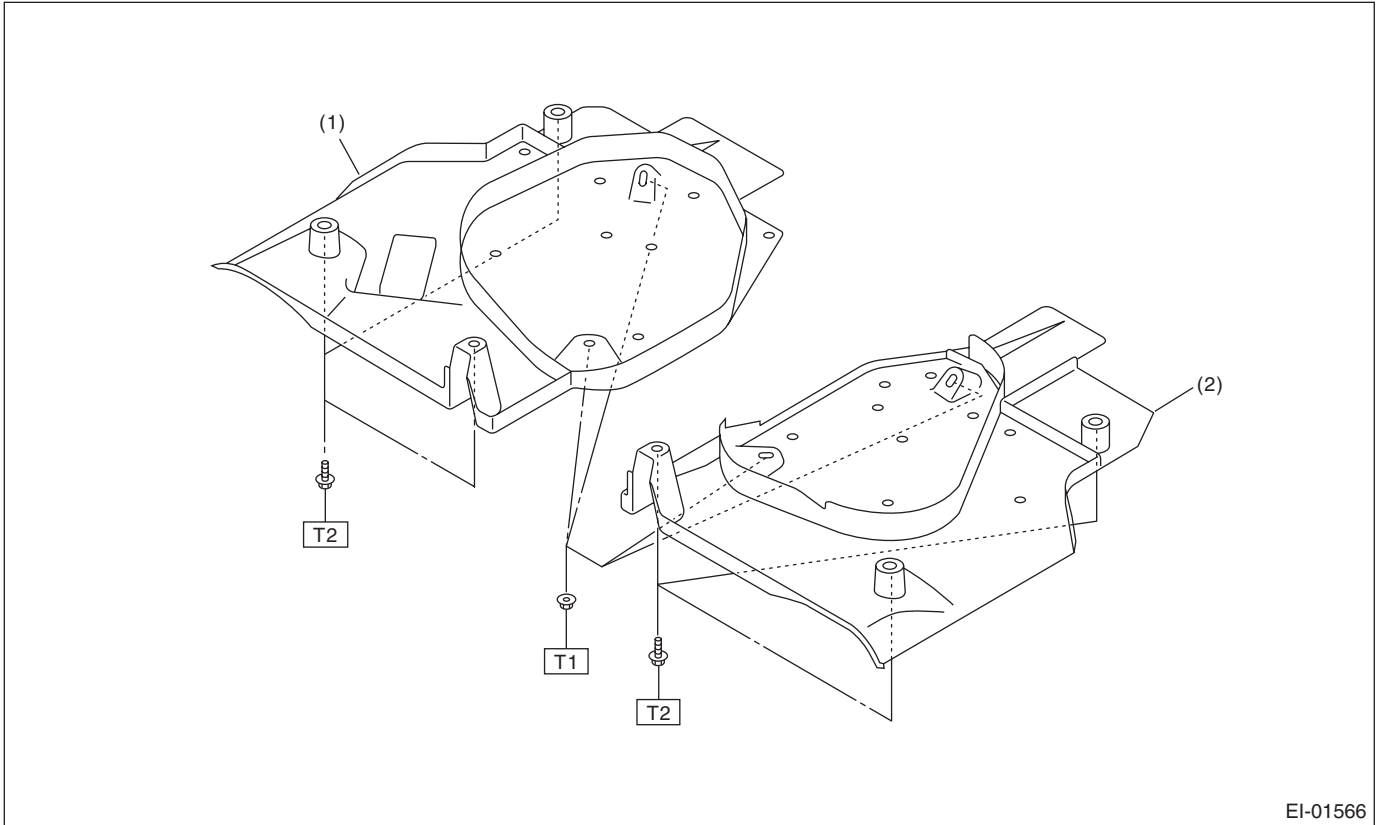
(2) Under cover

**Tightening torque: N-m (kgf-m, ft-lb)**

**T1: 7.5 (0.76, 5.4)**

**T2: 17.5 (1.78, 12.7)**

## 2. UNDER PROTECTOR



(1) Fuel tank protector RH

(2) Fuel tank protector LH

**Tightening torque: N·m (kgf·m, ft·lb)**

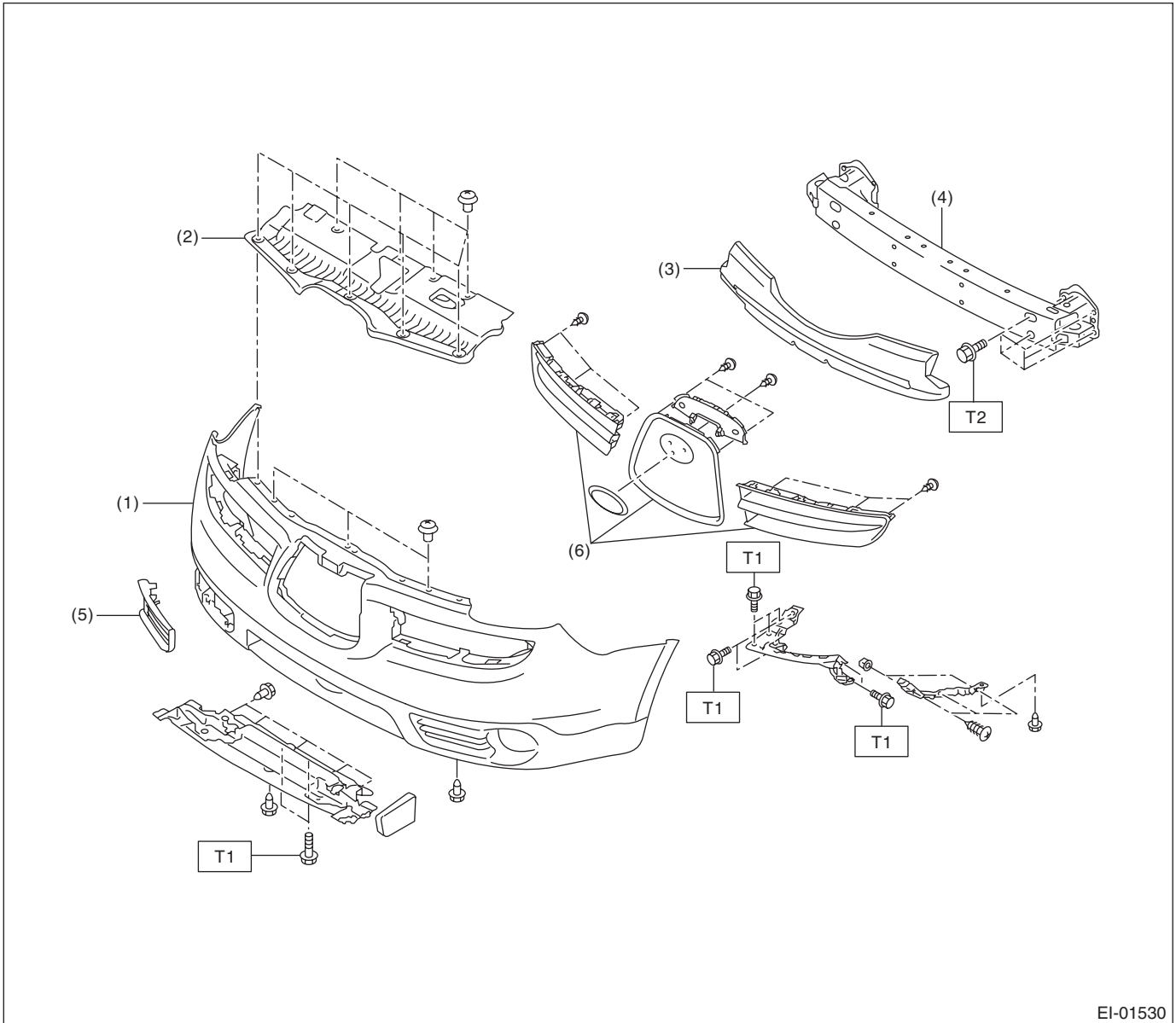
**T: 9.0 (0.92, 6.6)**

**T: 17.5 (1.78, 12.9)**

# General Description

EXTERIOR/INTERIOR TRIM

## 3. FRONT BUMPER



EI-01530

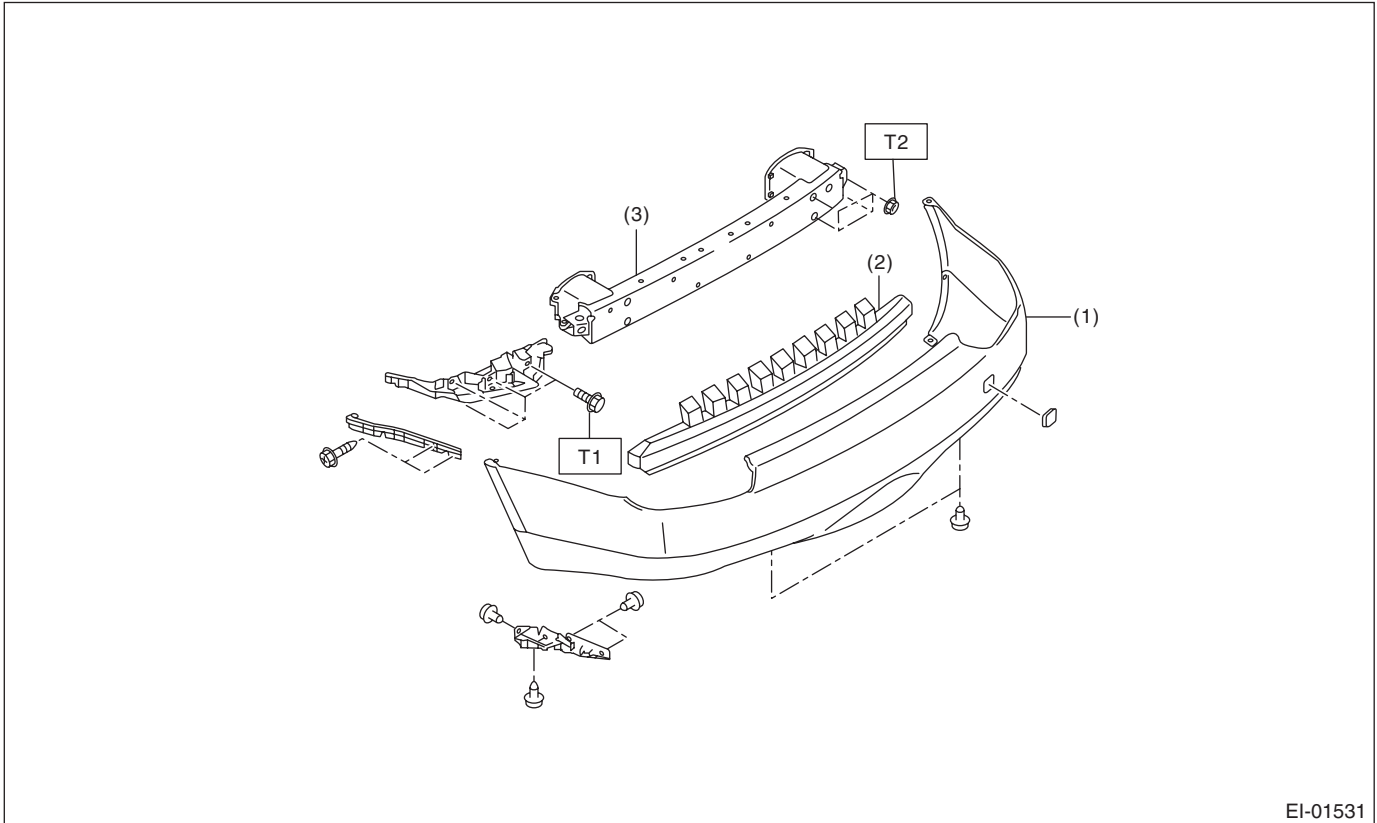
- |                          |                               |
|--------------------------|-------------------------------|
| (1) Bumper face          | (4) Bumper beam reinforcement |
| (2) Front upper cover    | (5) Towing hook cover         |
| (3) Energy absorber foam | (6) Front grille              |

**Tightening torque: N·m (kgf·m, ft·lb)**

**T1: 7.5 (0.76, 5.4)**

**T2: 33 (3.4, 24)**

## 4. REAR BUMPER



EI-01531

- (1) Bumper face
- (2) Energy absorber foam

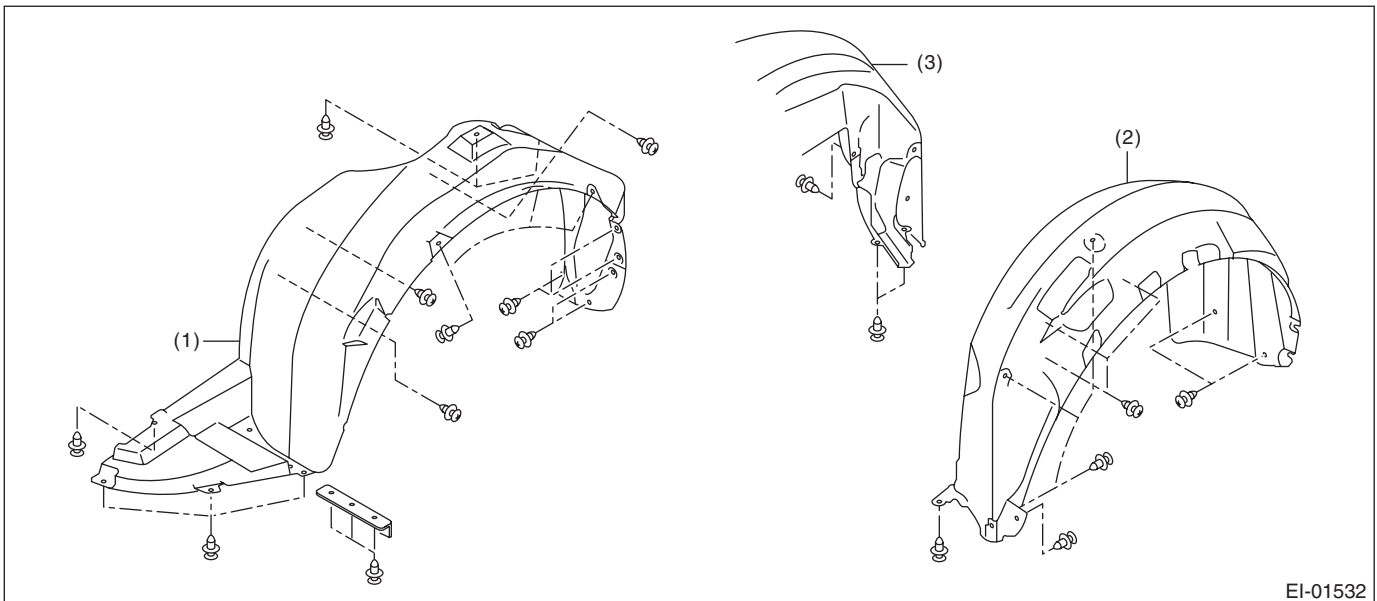
- (3) Bumper beam reinforcement

**Tightening torque: N·m (kgf·m, ft·lb)**

**T1: 7.5 (0.76, 5.4)**

**T2: 33 (3.4, 24)**

## 5. MUD GUARD



EI-01532

- (1) Front mud guard

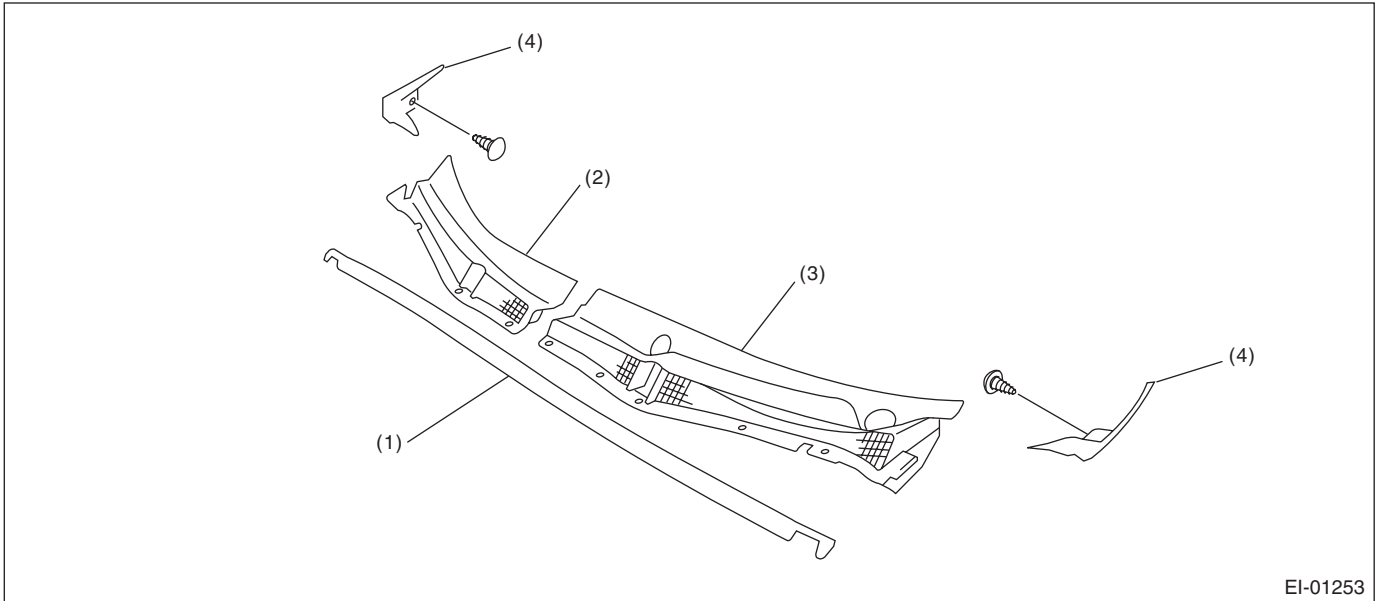
- (2) Rear mud guard LH

- (3) Rear mud guard RH

# General Description

EXTERIOR/INTERIOR TRIM

## 6. COWL PANEL



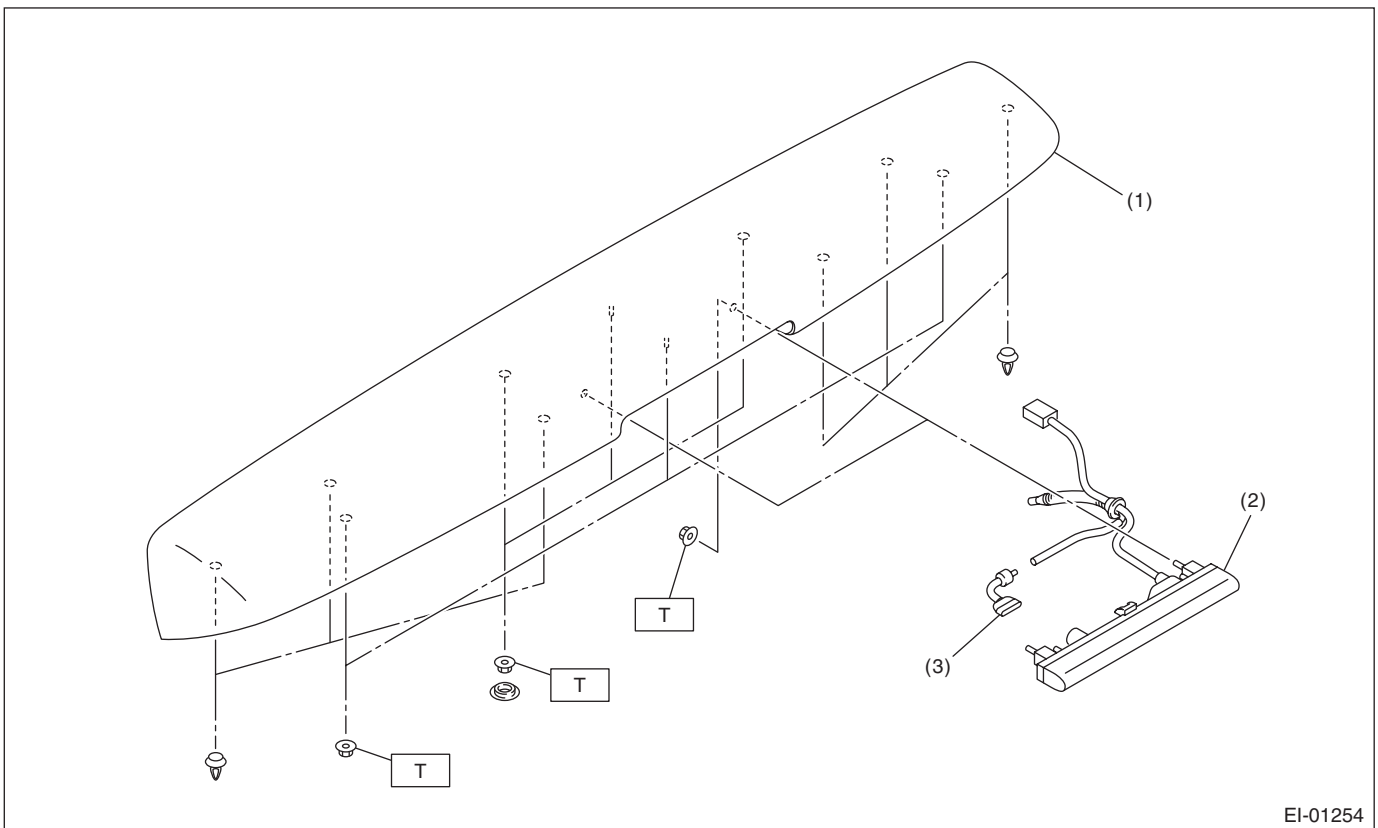
EI-01253

- (1) Weather strip
- (2) Cowl panel RH

(3) Cowl panel LH

(4) Cowl panel side

## 7. ROOF SPOILER



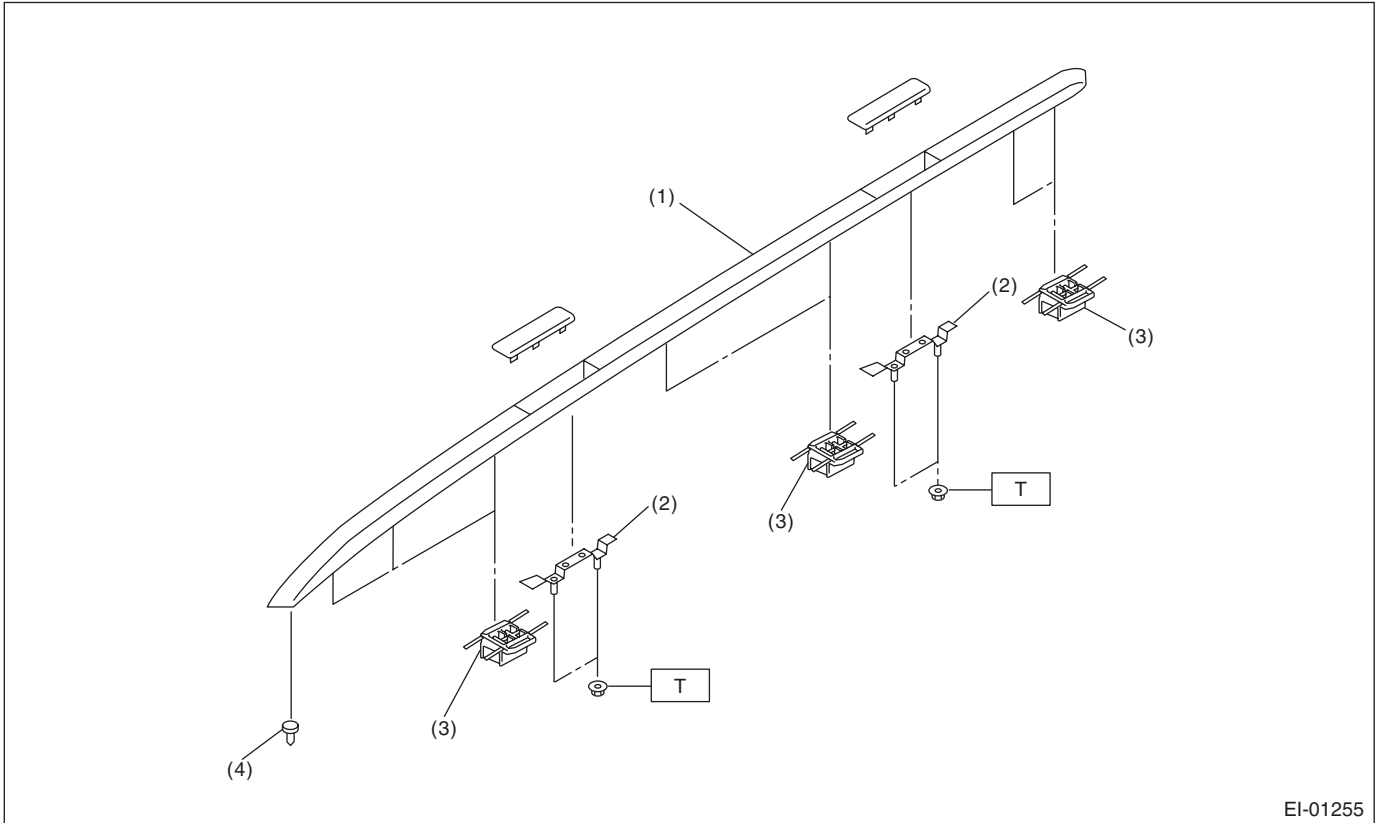
EI-01254

- (1) Roof spoiler
- (2) High-mounted stop light

(3) Washer nozzle

**Tightening torque: N·m (kgf·m, ft·lb)**  
**T: 4.5 (0.46, 3.32)**

## 8. ROOF MOLDING



EI-01255

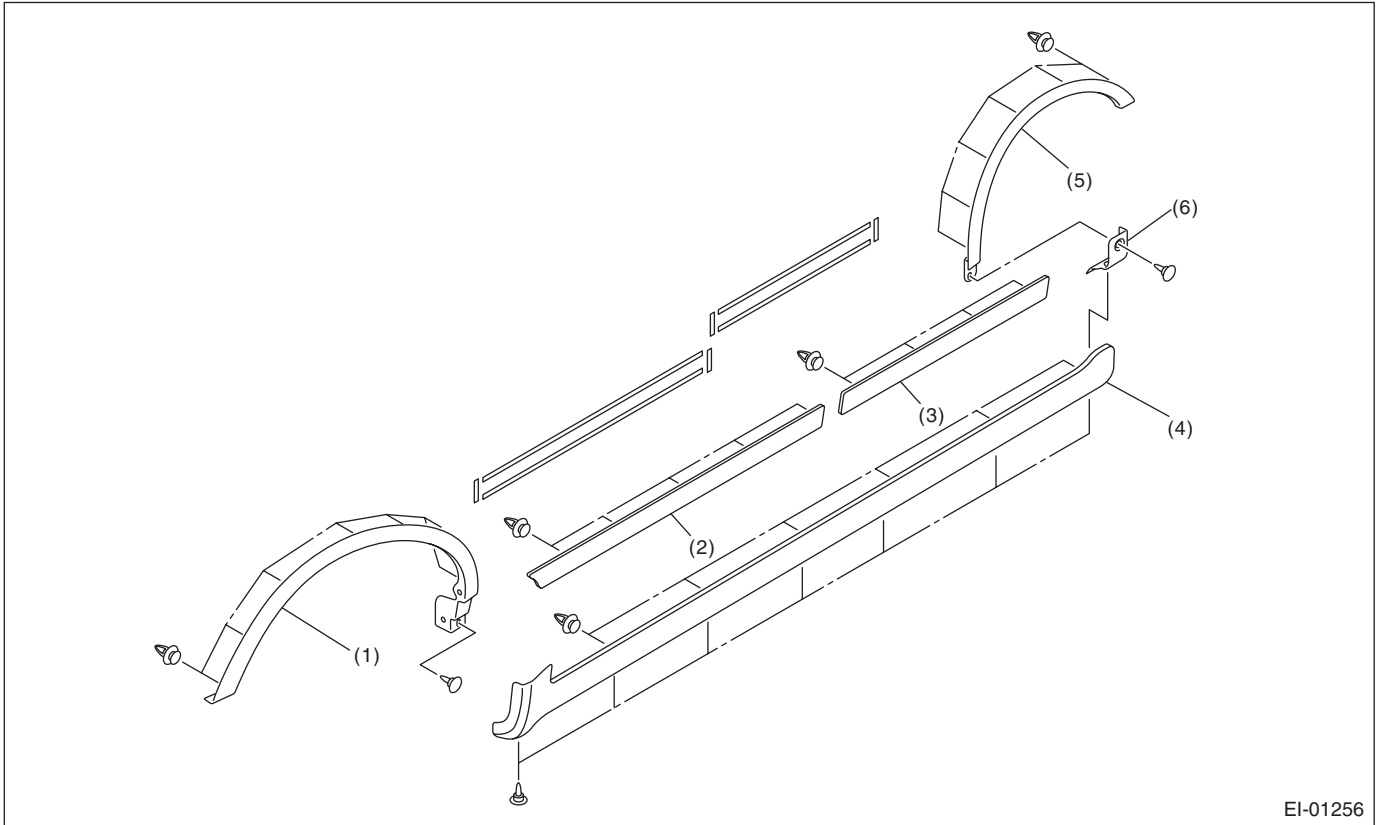
- |                             |           |
|-----------------------------|-----------|
| (1) Roof molding            | (3) Clip  |
| (2) Roof carrier attachment | (4) Rivet |

**Tightening torque: N·m (kgf·m, ft·lb)**  
**T: 10 (1.0, 7.23)**

# General Description

EXTERIOR/INTERIOR TRIM

## 9. SIDE GARNISH



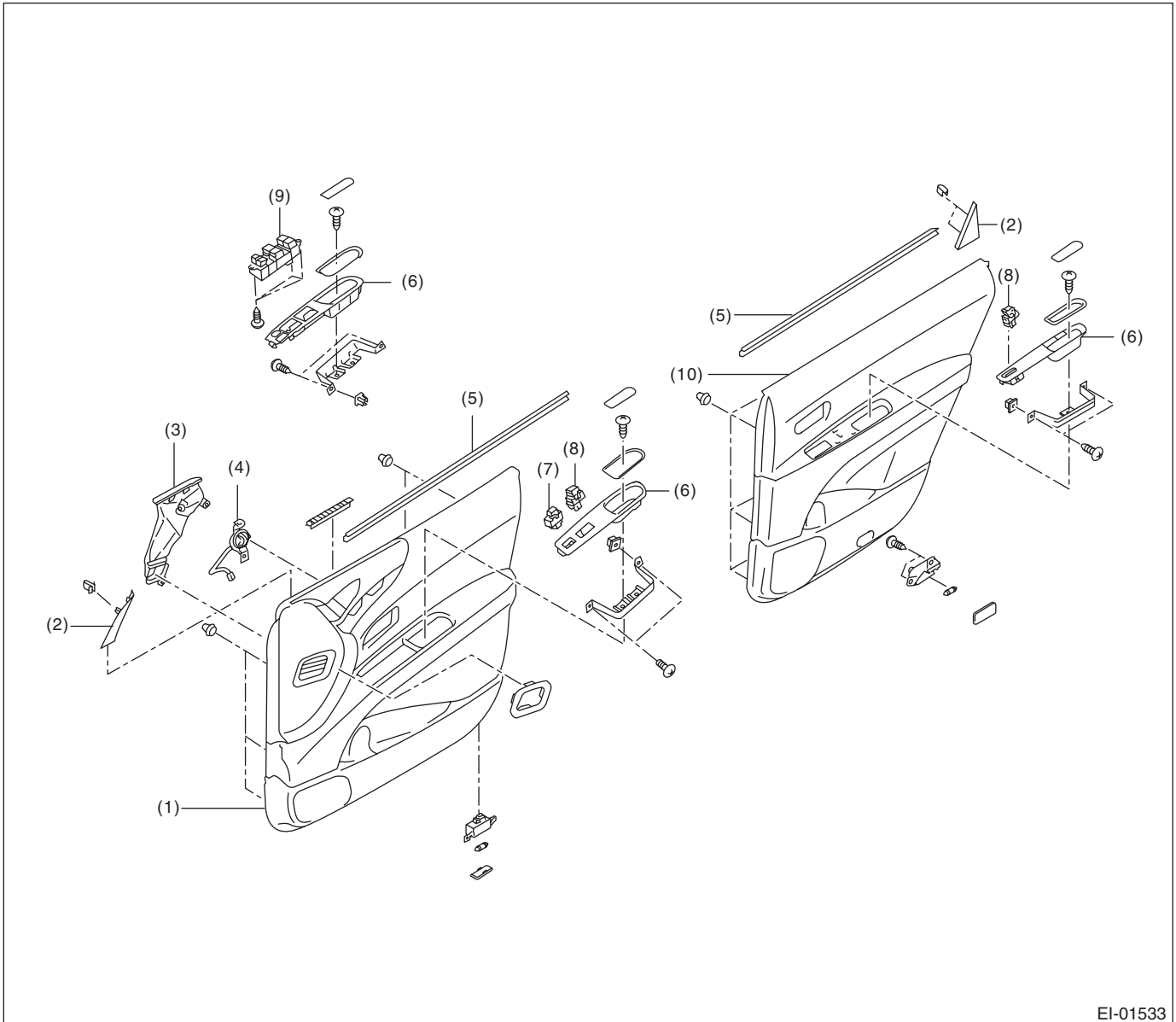
EI-01256

(1) Front fender garnish  
(2) Front door garnish

(3) Rear door garnish  
(4) Side sill garnish

(5) Rear quarter garnish  
(6) Garnish end cover

## 10.DOOR TRIM



EI-01533

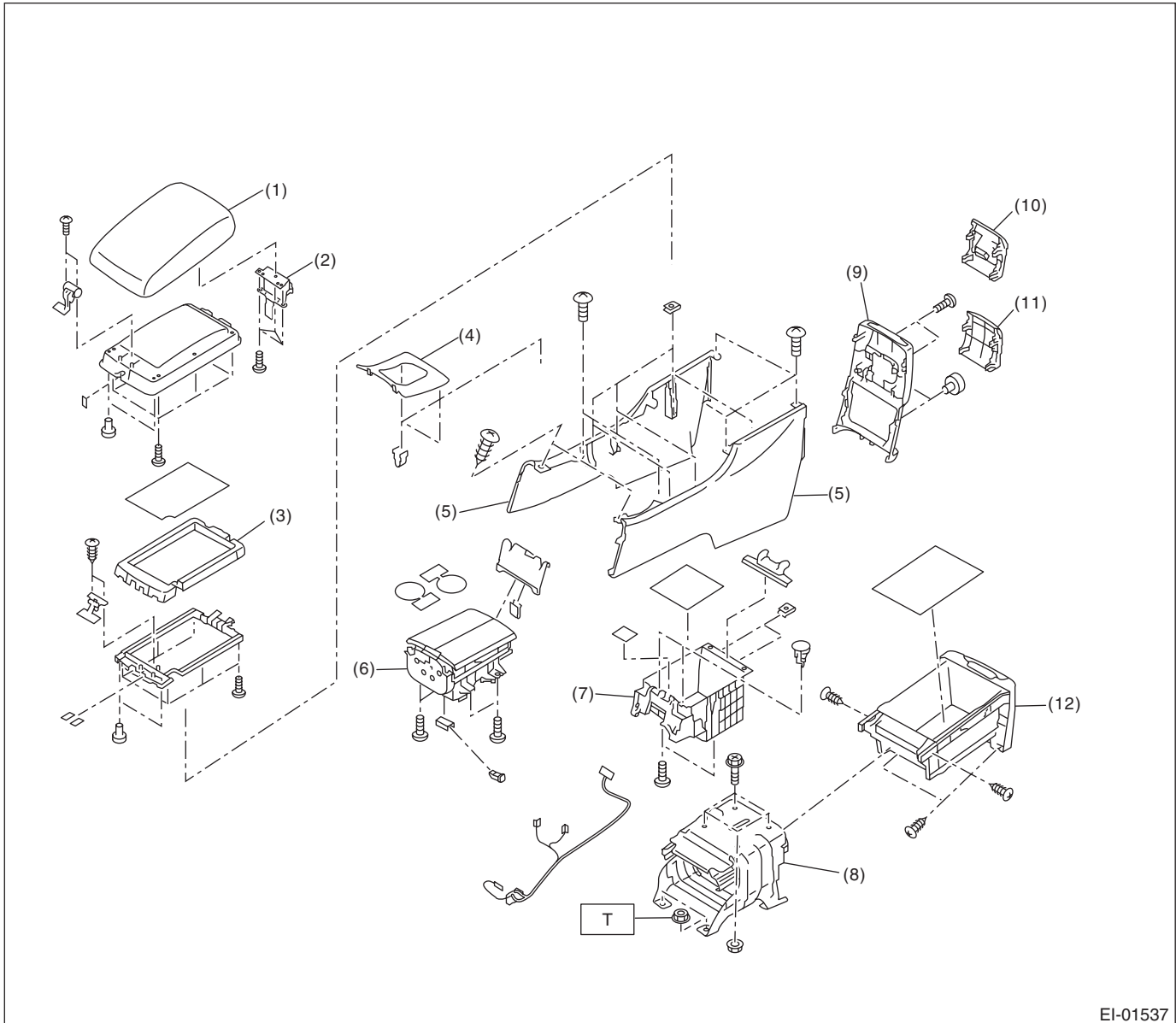
- |                     |                               |                                   |
|---------------------|-------------------------------|-----------------------------------|
| (1) Front door trim | (5) Weather strip             | (9) Power window main switch ASSY |
| (2) Gusset cover    | (6) Power window switch cover | (10) Rear door trim               |
| (3) Defroster duct  | (7) Door lock switch          |                                   |
| (4) Tweeter         | (8) Power window sub-switch   |                                   |



# General Description

## EXTERIOR/INTERIOR TRIM

### 11.CONSOLE BOX



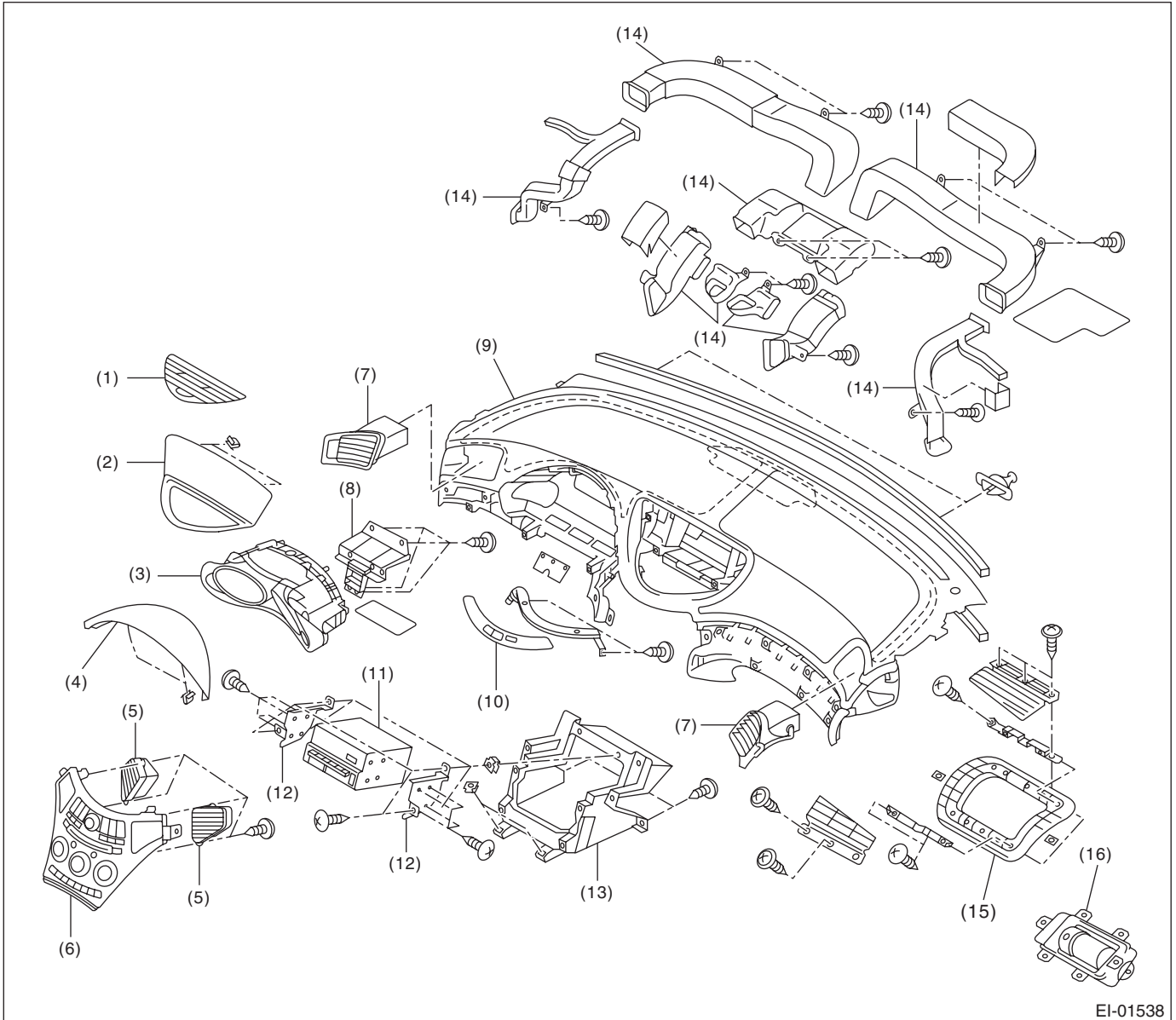
EI-01537

- |                         |  |                           |
|-------------------------|--|---------------------------|
| (1) Console upper lid   | (7) Console pocket                       | (11) Rear panel cover     |
| (2) Lid hinge           | (8) Console frame                        | (12) Console lower pocket |
| (3) Console lower lid   | (9) Console rear panel                   |                           |
| (4) Console front panel | (10) Rear panel cover (with rear cooler) |                           |
| (5) Console side panel  |  |                           |
| (6) Cup holder ASSY     |  |                           |

**Tightening torque: N·m (kgf·m, ft·lb)**

**T: 6.5 (0.66, 4.79)**

## 12. INSTRUMENT PANEL

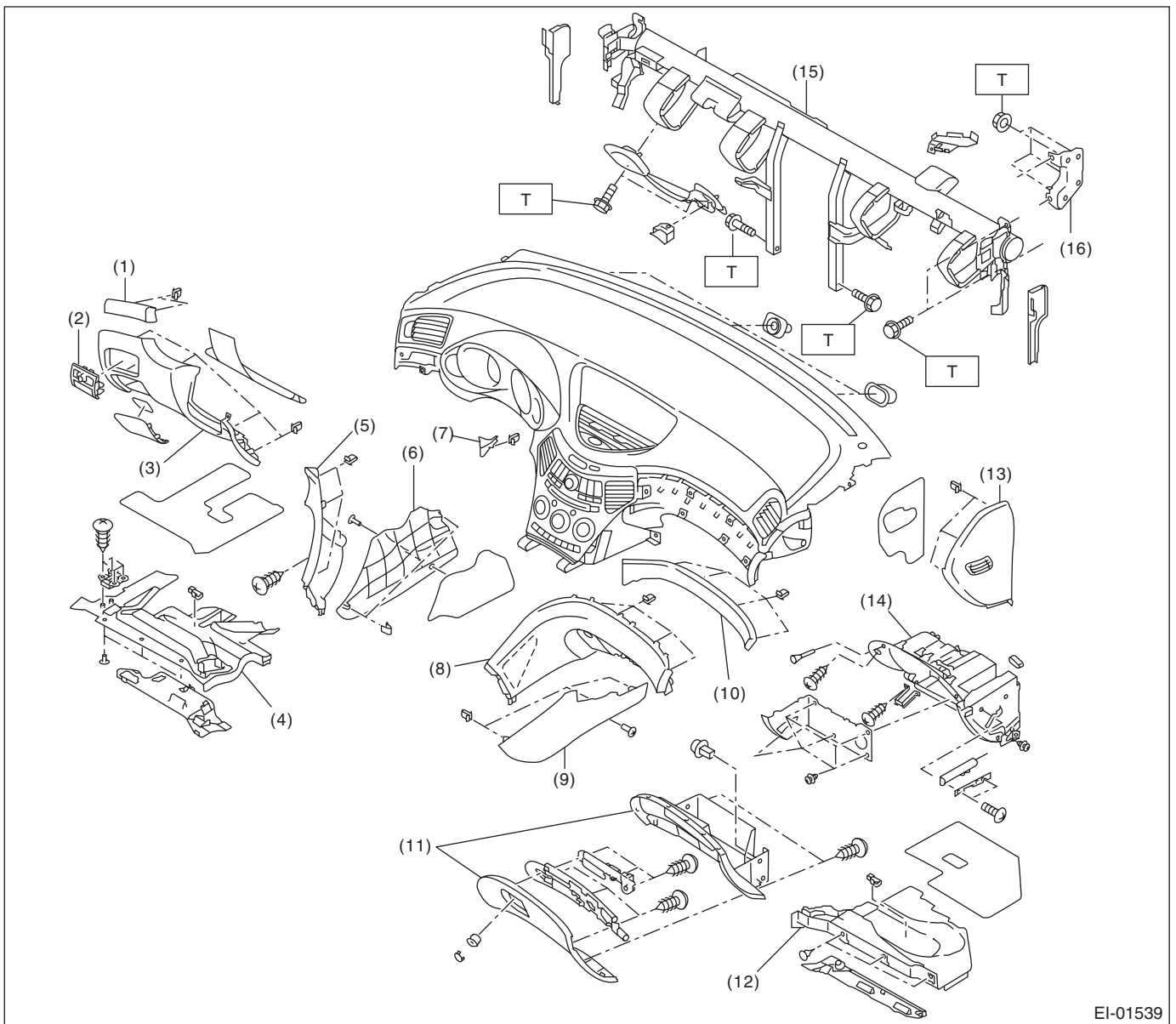


EI-01538

- |                            |                                 |                                     |
|----------------------------|---------------------------------|-------------------------------------|
| (1) Air vent upper grille  | (7) Air vent side grille        | (13) Center console frame           |
| (2) Display cover          | (8) Meter stay                  | (14) Air vent duct                  |
| (3) Combination meter ASSY | (9) Instrument panel upper ASSY | (15) Passenger's airbag stay        |
| (4) Meter visor            | (10) Upper control switch       | (16) Passenger's airbag module ASSY |
| (5) Air vent center grille | (11) Audio ASSY                 |                                     |
| (6) Control panel          | (12) Audio bracket              |                                     |

# General Description

## EXTERIOR/INTERIOR TRIM

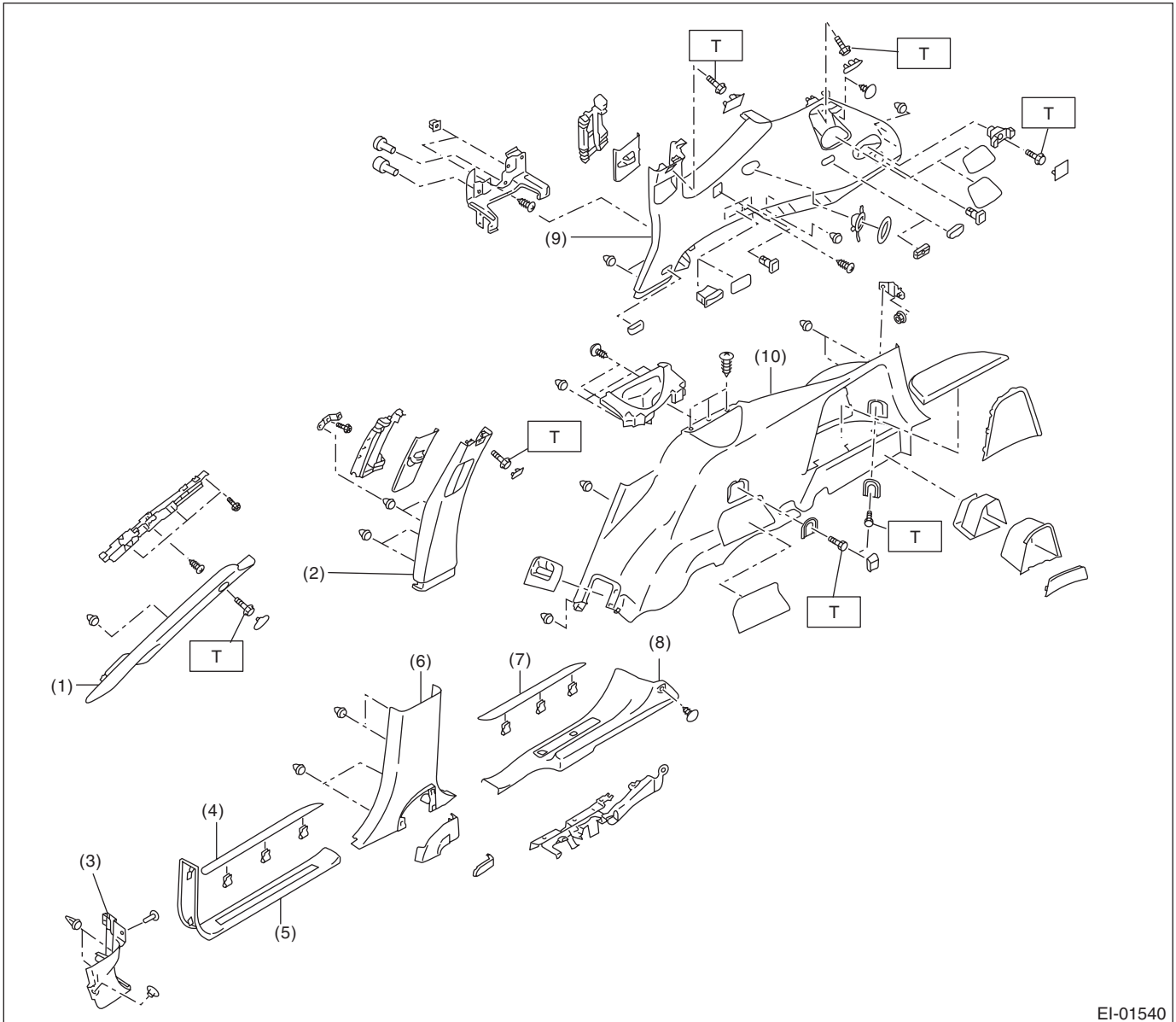


EI-01539

- |  |                                 |                                    |
|--|---------------------------------|------------------------------------|
| (1) Garnish LH                         | (6) Console side panel lower LH | (13) Instrument panel side cover   |
| (2) Switch ASSY                        | (7) Garnish CTR                 | (14) Glove box panel               |
| (3) Instrument panel lower cover upper | (8) Console side panel upper RH | (15) Steering support beam ASSY    |
| (4) Instrument panel lower cover under | (9) Console side panel lower RH | (16) Steering support beam bracket |
| (5) Console side panel upper LH        | (10) Garnish RH                 |                                    |
|  | (11) Glove box lid              |                                    |
|  | (12) Glove box lower cover      |                                    |

**Tightening torque: N·m (kgf·m, ft·lb)**  
**T: 25 (25.5, 18)**

## 13.SIDE TRIM



EI-01540

- |                              |                              |                              |
|------------------------------|------------------------------|------------------------------|
| (1) Front pillar upper trim  | (6) Center pillar lower trim | (10) Rear quarter lower trim |
| (2) Center pillar upper trim | (7) Rear scuff plate         |                              |
| (3) Front pillar lower trim  | (8) Rear door scuff plate    |                              |
| (4) Front scuff plate        | (9) Rear quarter upper trim  |                              |
| (5) Front door scuff plate   |                              |                              |

---

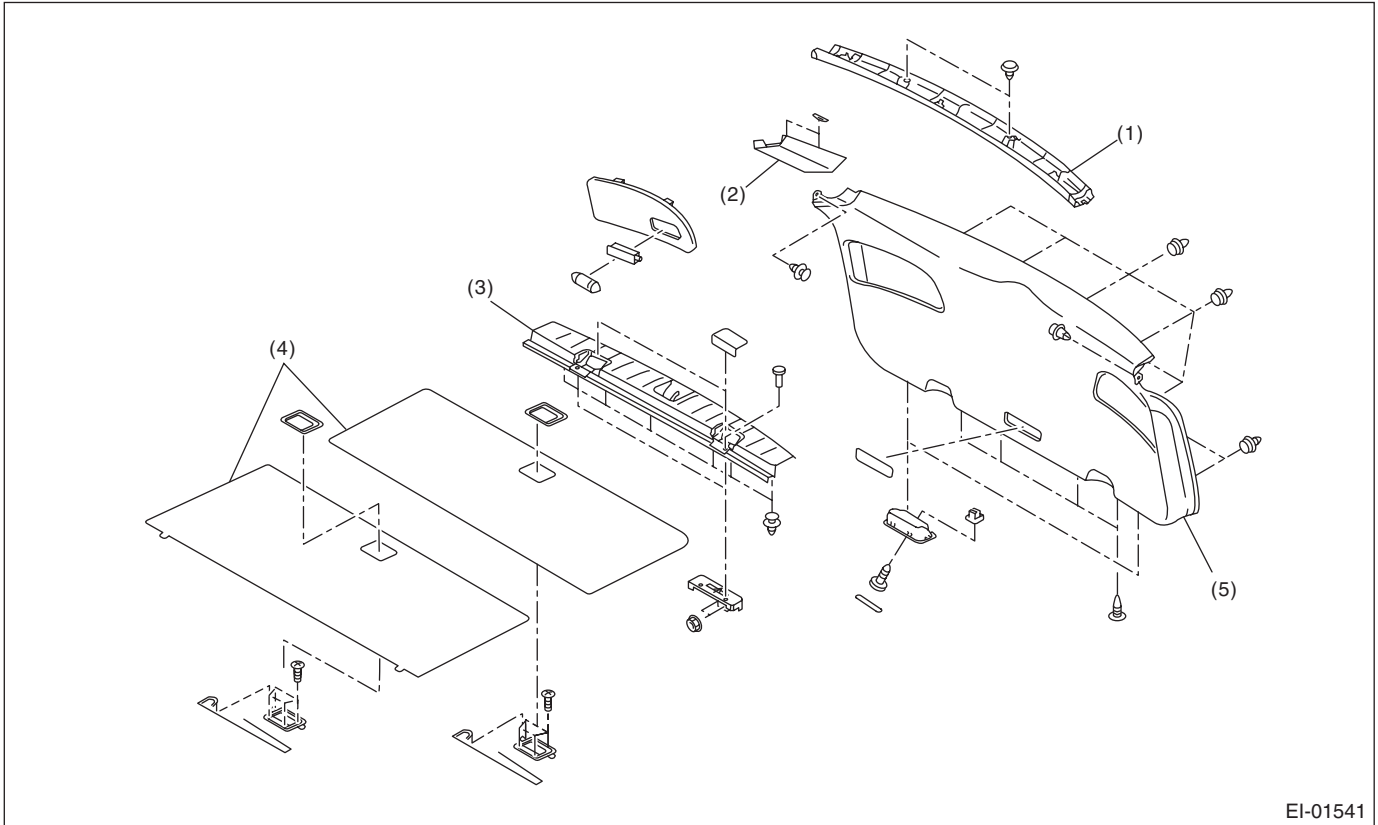
**Tightening torque: N·m (kgf·m, ft·lb)**  
**T: 7.5 (0.76, 5.4)**

---

# General Description

## EXTERIOR/INTERIOR TRIM

### 14. REAR GATE TRIM



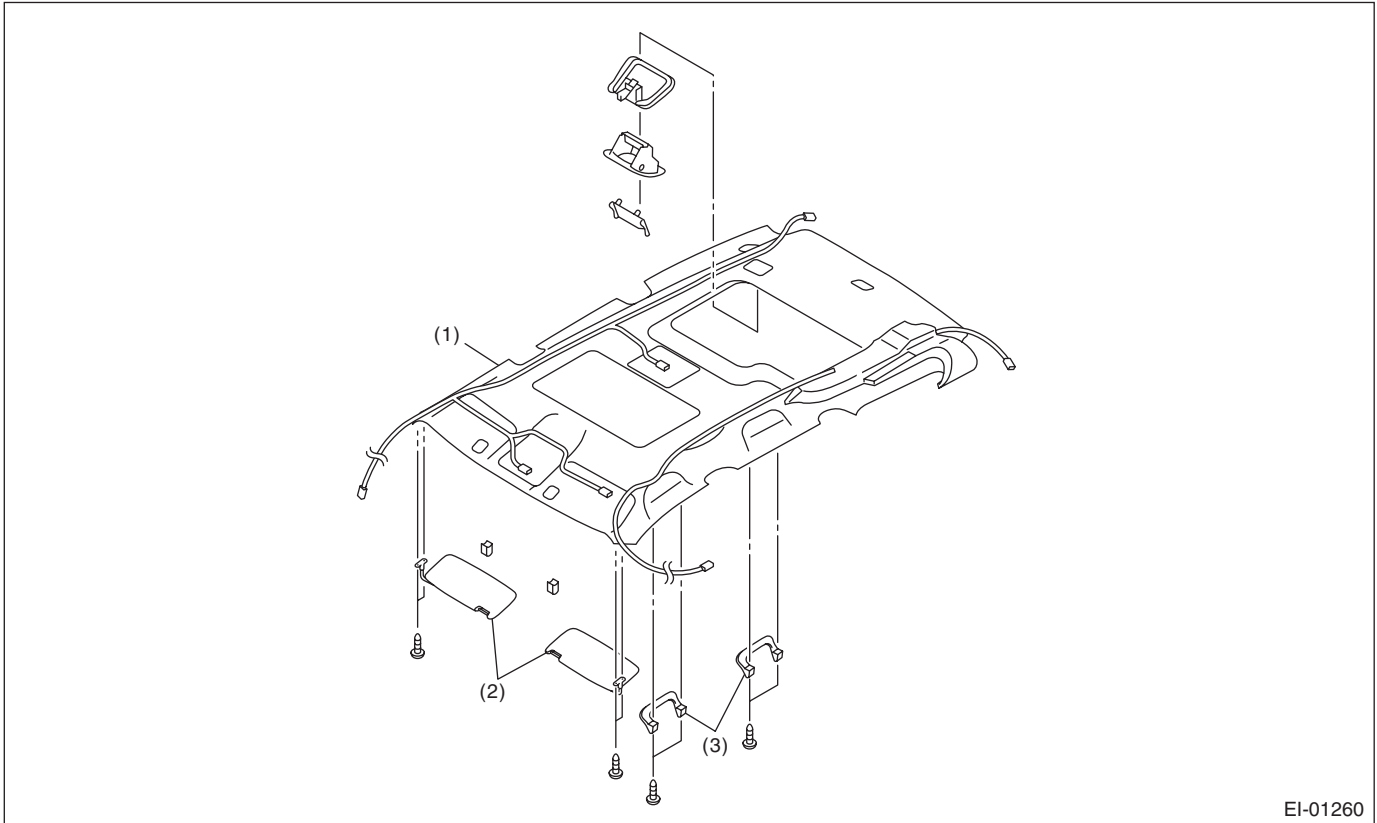
EI-01541

(1) Rear gate panel upper trim  
(2) Rear gate panel pillar trim

(3) Luggage floor end cover  
(4) Luggage floor mat

(5) Rear gate panel lower trim

## 15. ROOF TRIM



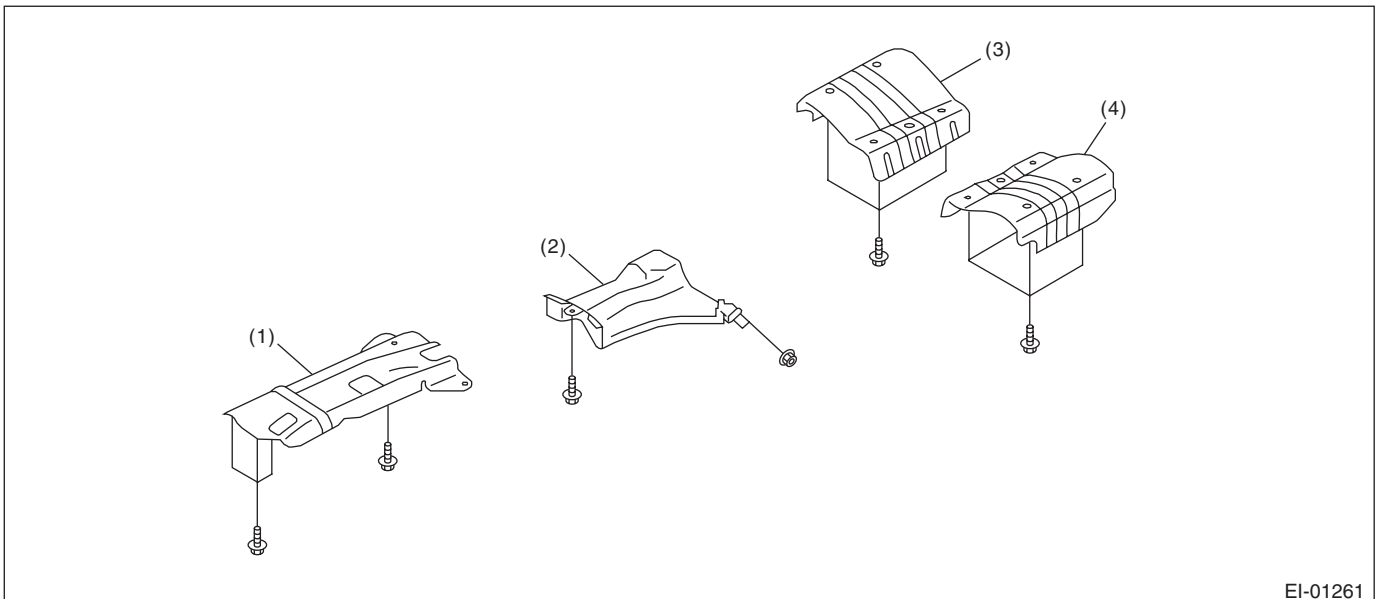
EI-01260

(1) Roof trim

(2) Sun visor

(3) Assist rail

## 16. HEAT SHIELD COVER



EI-01261

(1) Front heat shield cover

(3) Rear heat shield cover RH

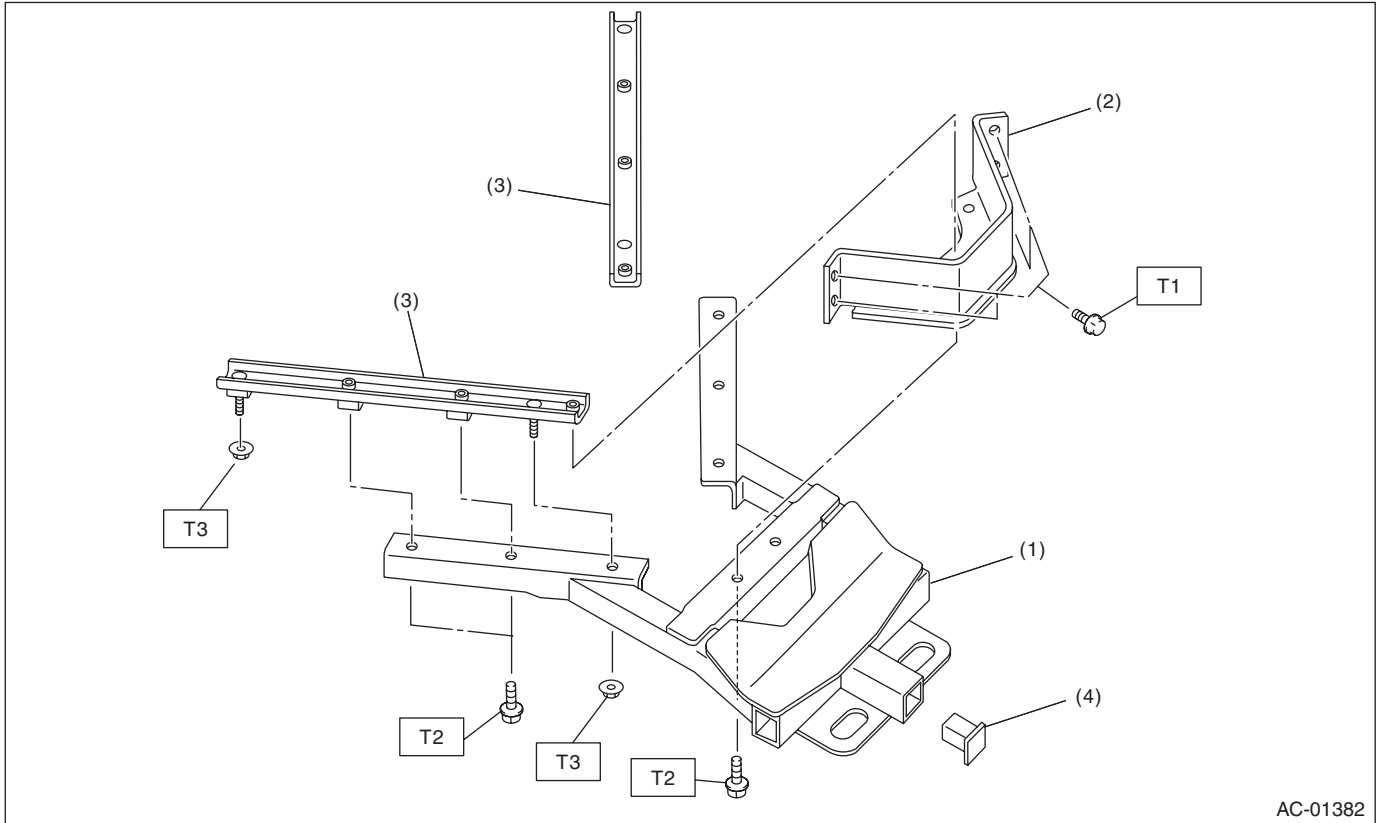
(4) Rear heat shield cover LH

(2) Center heat shield cover

# General Description

EXTERIOR/INTERIOR TRIM

## 17. TRAILER HITCH



- (1) Main frame
- (2) Center frame
- (3) Side frame
- (4) Cover

**Tightening torque: N·m (kgf·m, ft·lb)**

**T1: 13 (1.33, 9.4)**

**T2: 33 (3.37, 23.9)**

**T3: 53 (5.4 38.3)**

## B: PREPARATION TOOL

TOOL NAME	REMARKS
Clip remover	Used for removing trim.
Clip clamp pliers	Used for removal of various clips and clamps.