

Roof Molding

EXTERIOR/INTERIOR TRIM

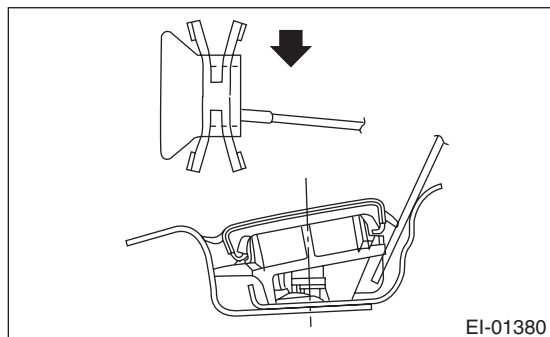
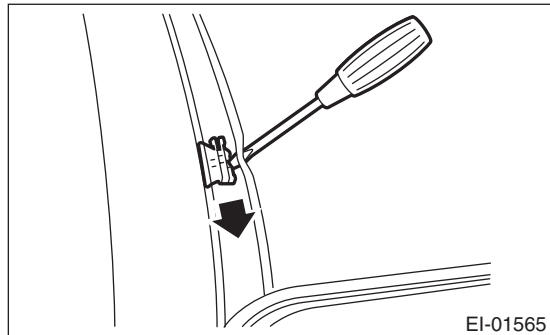
11. Roof Molding

A: REMOVAL

1) Turn over the edge of the roof molding, and remove the inside clips with flat tip screwdriver by sliding as arrow indicates.

Right side: slide towards the front of the vehicle.

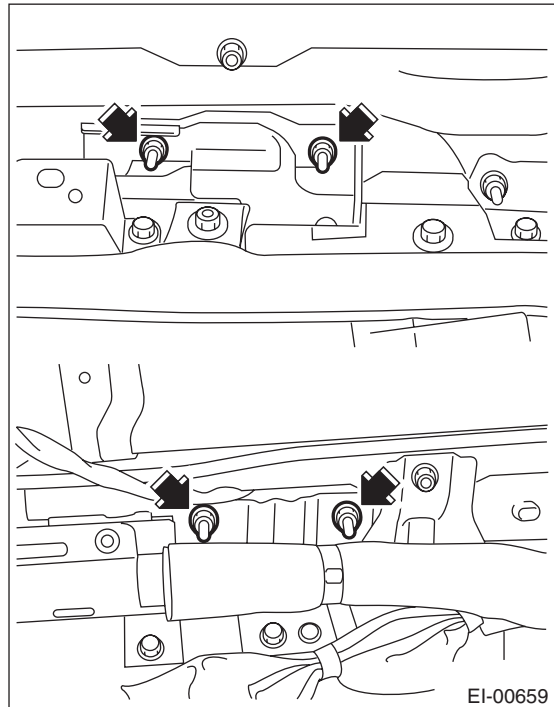
Left side: slide towards the rear of the vehicle.



2) Pull the roof molding upward, and remove it from vehicle body.

3) Remove the roof trim. <Ref. to EI-50, Roof Trim.>

4) Remove the nuts, and remove the roof carrier attachment.



B: INSTALLATION

1) Install the roof carrier attachment.

Tightening torque:

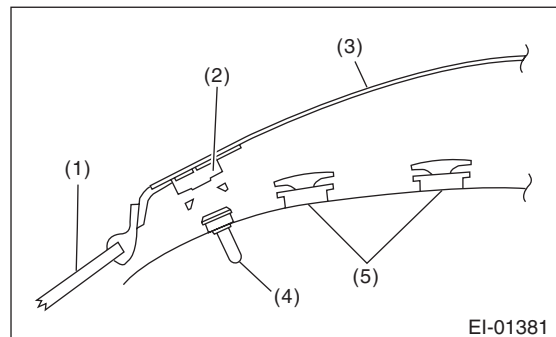
10 N·m (1.0 kgf-m, 7.23 ft-lb)

2) Remove each clip from the roof molding, and install them to the vehicle side.

CAUTION:

Always replace clips damaged during removal of the roof moulding with new clips.

3) Push the front edge of roof molding against the front window, and install the positioning clip on the front end to the rivet on the vehicle side.



- (1) Windshield
- (2) Positioning clips
- (3) Roof molding
- (4) Rivet
- (5) Clip