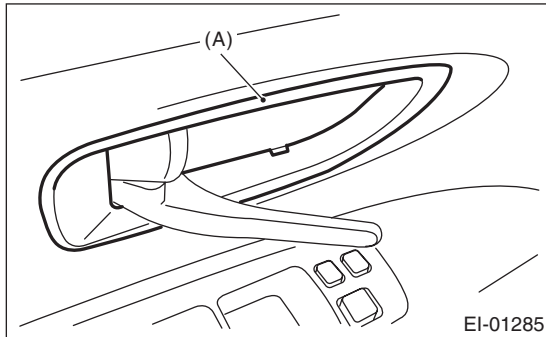


## 12. Door Trim

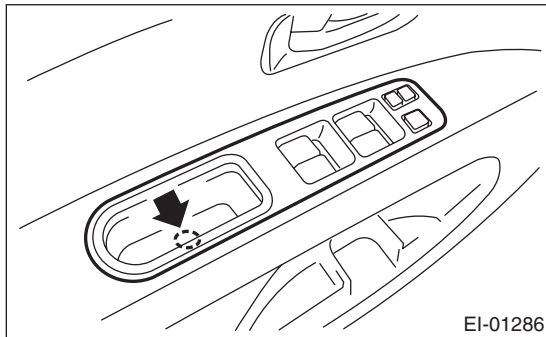
### A: REMOVAL

- 1) Disconnect the ground cable from the battery.
- 2) Remove the cover (A) at inner remote.

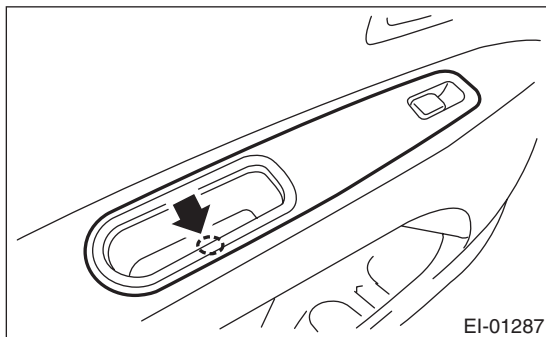


- 3) Remove the bottom cover at the pull handle.
- 4) Remove the screw to remove the power window switch assembly.

- Front door

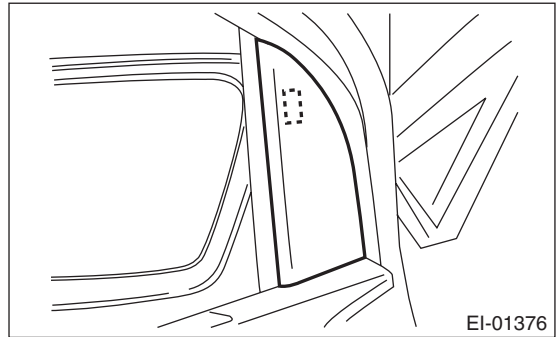


- Rear door

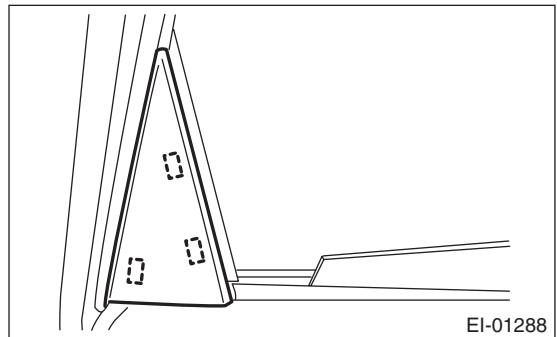


- 5) Remove the gusset cover.

- Front door

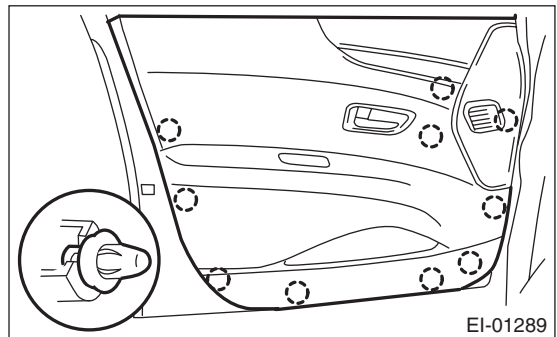


- Rear door

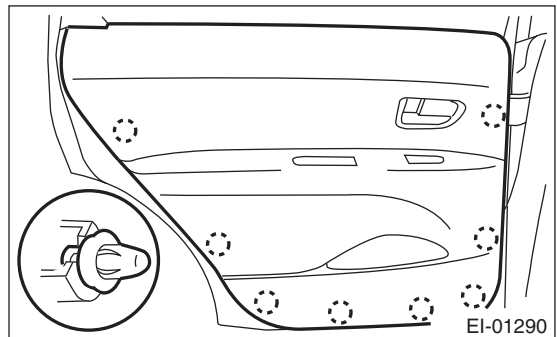


- 6) Remove the clip, and disconnect the each connector to remove the door trim.

- Front door trim



- Rear door trim



### B: INSTALLATION

Install in the reverse order of removal.