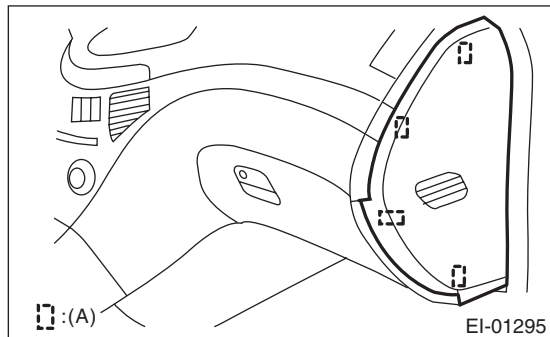


14. Glove Box

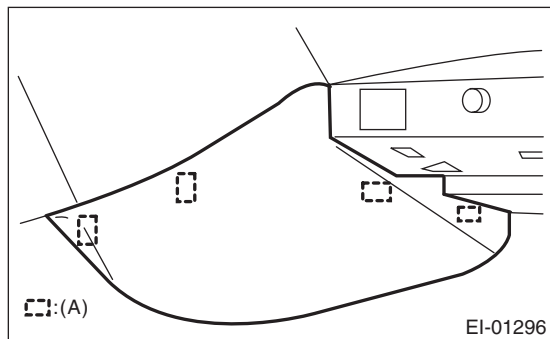
A: REMOVAL

- 1) Remove the front door scuff plate and front pillar lower trim. <Ref. to EI-43, REMOVAL, Side Trim.>
- 2) Remove the instrument panel side cover RH.



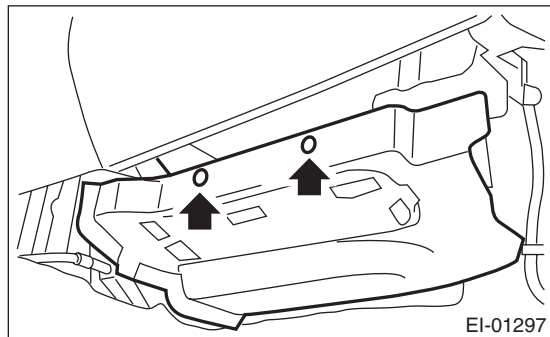
(A) Hook

- 3) Remove the console side panel lower RH.

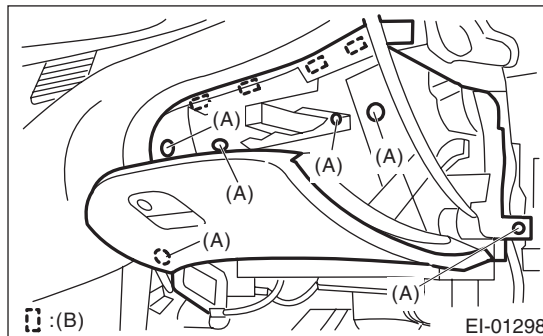


(A) Hook

- 4) Remove the clips, and remove the glove box lower cover.



- 5) Remove the screws (A) and hooks (B), and disconnect the connector, and then remove the glove box assembly.



- 6) Remove the clips (A), left and right stoppers of glove box lid (B) and damper strap, and then remove the glove box lid.

NOTE:

The glove box lid can be removed without using the glove box assembly.

B: INSTALLATION

Install in the reverse order of removal.