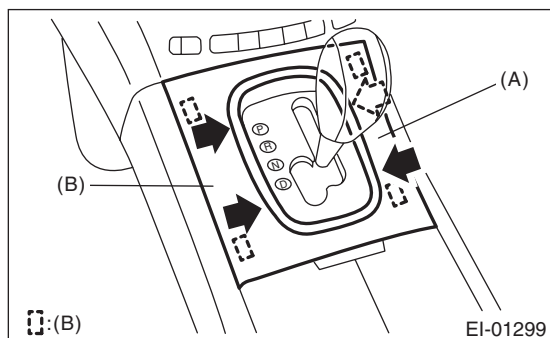


## 15. Console Box

### A: REMOVAL

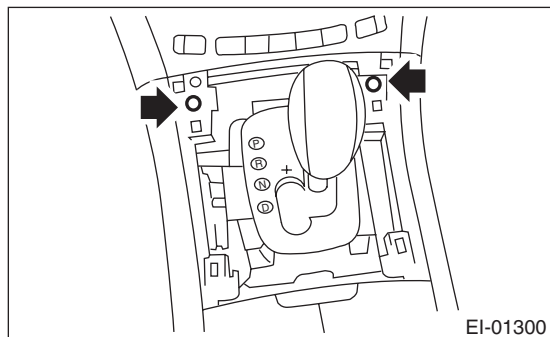
1) Remove the ring indicator (A) and console front panel (B).



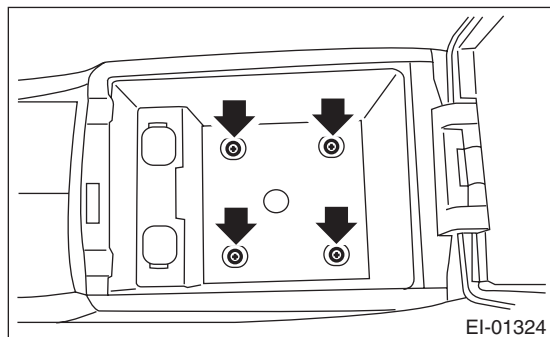
#### NOTE:

The ring indicator can be easily removed by inserting the clip remover or equivalent into the positions indicated by arrows.

2) Remove the screws.



3) Remove the bolts inside the upper pocket.



4) Pull out the console lower pocket, and remove the console box.

### B: INSTALLATION

Install in the reverse order of removal.