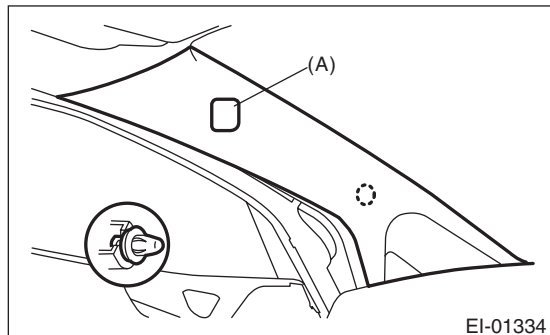


18. Side Trim

A: REMOVAL

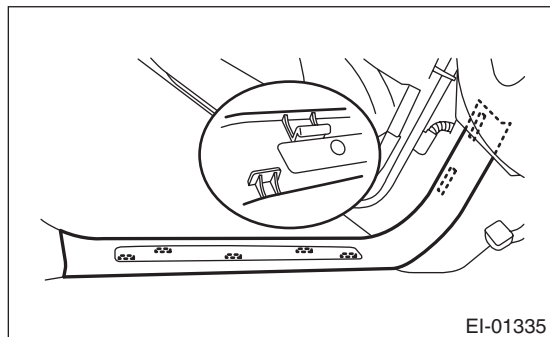
1. FRONT PILLAR UPPER TRIM

- 1) Remove the cap (A) on the upper side of pillar trim, and remove the bolt inside.
- 2) Remove the front pillar upper trim.



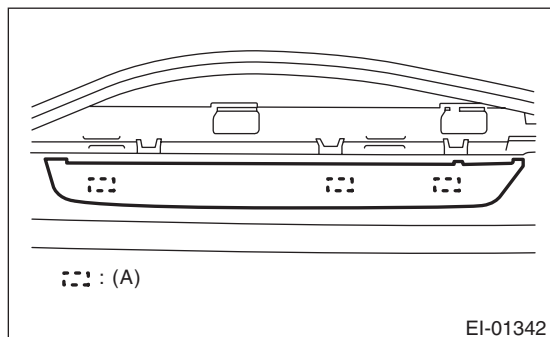
2. FRONT DOOR SCUFF PLATE

- 1) Remove the front door scuff plate.



(A) Claw

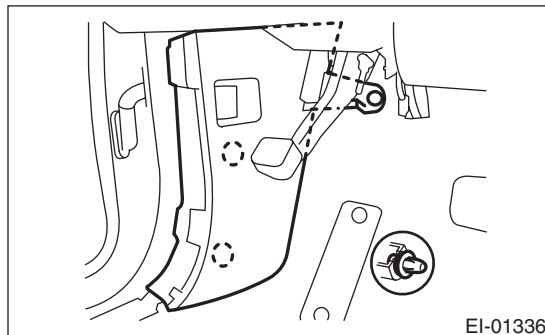
- 2) Remove the scuff plate outer.



(A) Claw

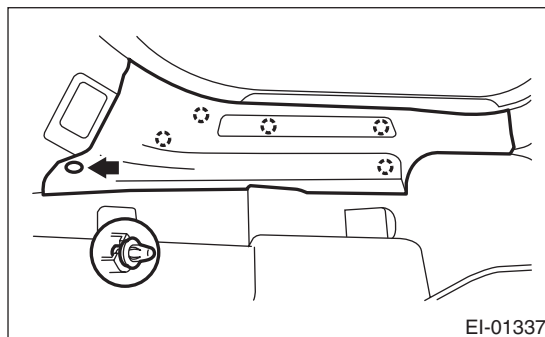
3. FRONT PILLAR LOWER TRIM

- 1) Front door scuff plate
- 2) Remove the clip, and remove the front pillar trim.

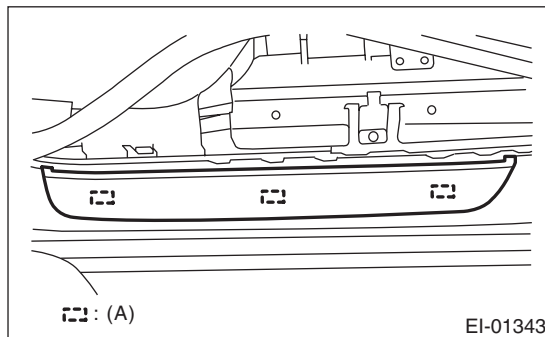


4. REAR DOOR SCUFF PLATE

- 1) Remove the clips and disengage the claws on the rear side of scuff plate, and then remove the rear door scuff plate.



- 2) Remove the scuff plate outer.



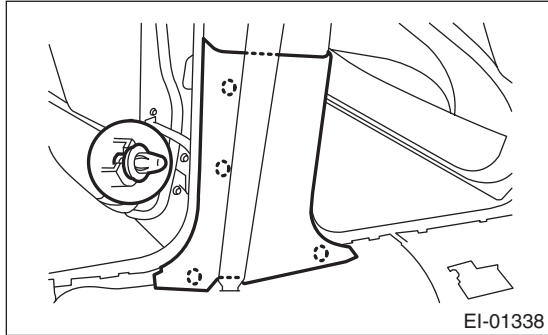
(A) Claw

Side Trim

EXTERIOR/INTERIOR TRIM

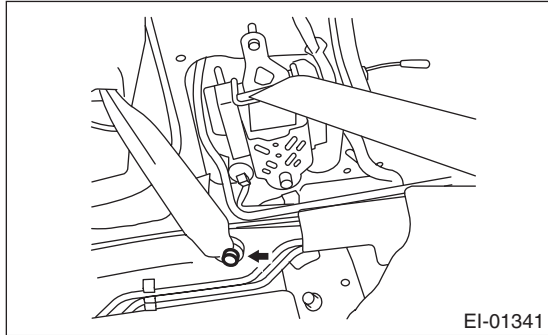
5. CENTER PILLAR LOWER TRIM

- 1) Remove the front door scuff plate.
- 2) Remove the rear door scuff plate.
- 3) Remove the clip, and remove the center pillar lower trim.

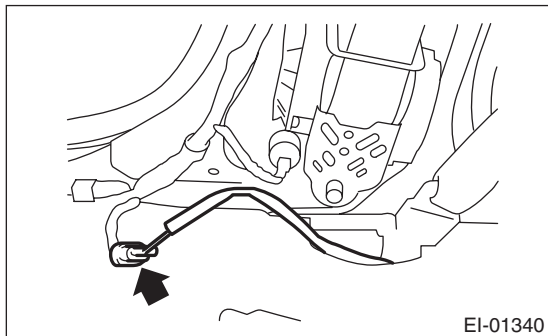


6. CENTER PILLAR UPPER TRIM

- 1) When removing the parts of passenger's side, disconnect the ground cable from battery and wait for at least 20 seconds before starting work.
- 2) Remove the front door scuff plate.
- 3) Remove the rear door scuff plate.
- 4) Remove the center pillar lower trim.
- 5) Turn over the floor mat to remove the seat belt lower anchor bolt.

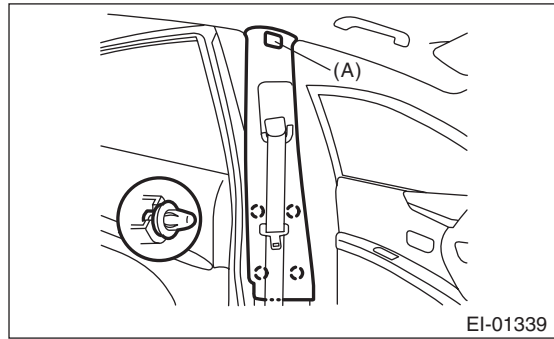


- 6) Disconnect the connector of belt tension sensor on passenger's side.



- 7) Remove the cap (A) on the upper side of pillar trim, and remove the bolt inside.

- 8) Remove the clip, and remove the center pillar upper trim.



B: INSTALLATION

Install each side trim in the reverse order of removal.

NOTE:

When installing the side trim, make sure that the clips and hooks match the holes of vehicle body before pushing the parts.