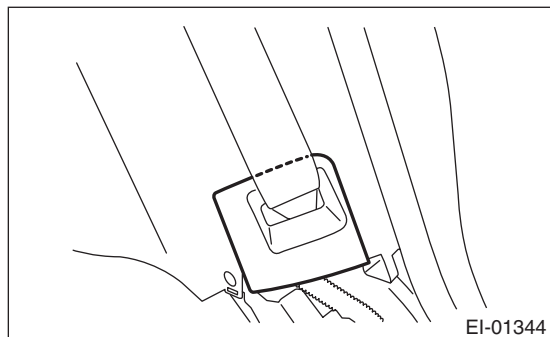


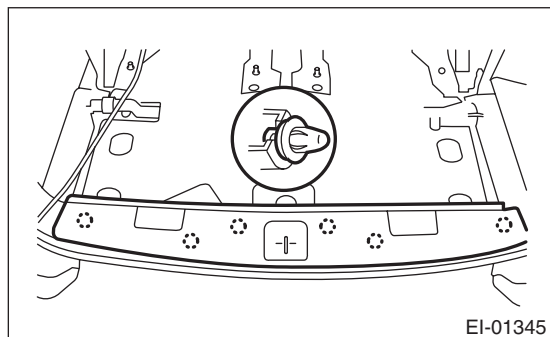
19.Rear Quarter Trim

A: REMOVAL

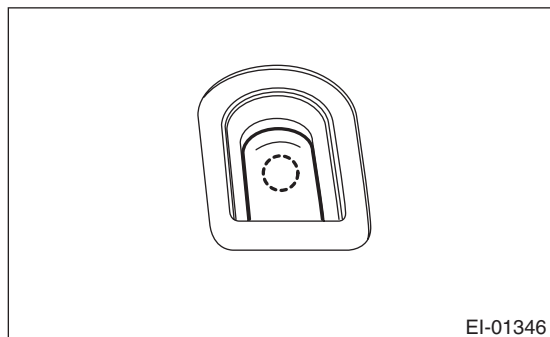
- 1) Remove the third-row seats. <Ref. to SE-18, REMOVAL, Third-Row Seats.>
- 2) Remove the rear door scuff plate. <Ref. to EI-43, REAR DOOR SCUFF PLATE, REMOVAL, Side Trim.>
- 3) Remove the lower anchor cover.



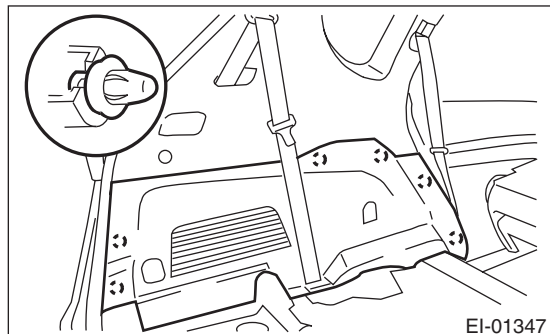
- 4) Remove the luggage floor mat and utility box.
- 5) Remove the luggage floor end cover.



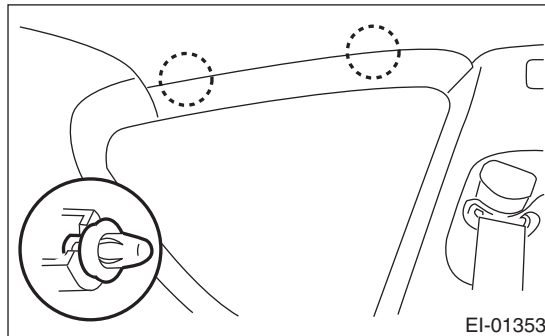
- 6) Remove the cover, and remove the bolts inside.



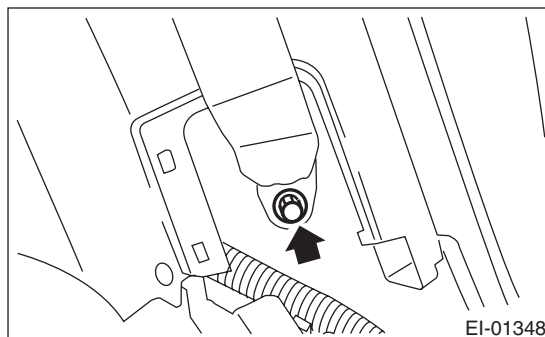
- 7) Remove the rear quarter lower trim.



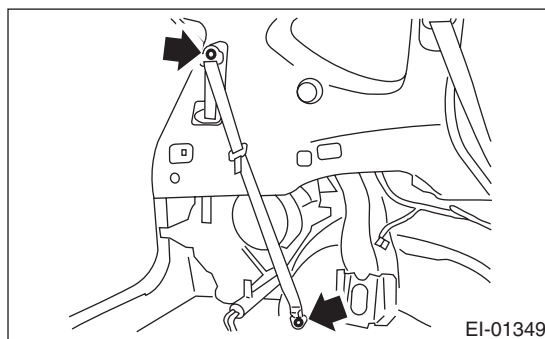
- 8) Remove the rear quarter top trim.



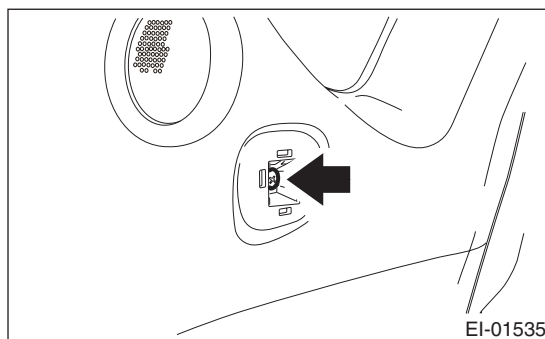
- 9) Remove the lower anchor bolts of second-row seat belts.



- 10) Remove the upper and lower anchor bolts of third-row seat belts.



- 11) Remove the screws.

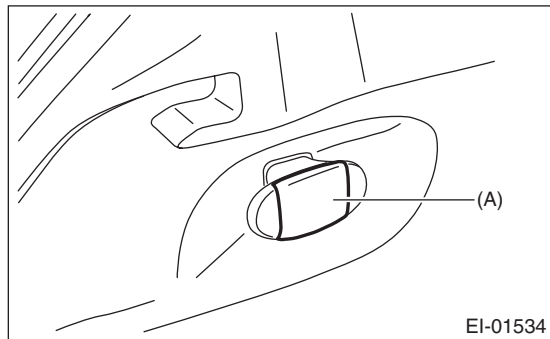


NOTE:
For models equipped with a third-row seat, there is a cap.

Rear Quarter Trim

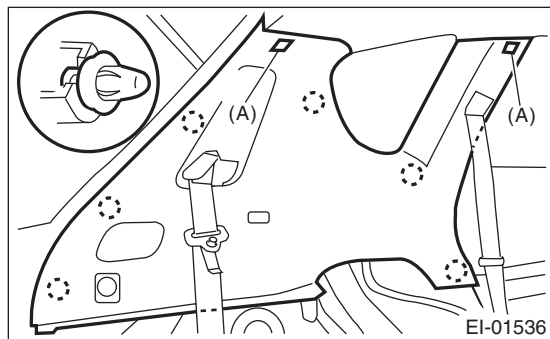
EXTERIOR/INTERIOR TRIM

12) Remove the cover (A), and remove the bolts inside.



13) Remove the cap (A) on the upper side of pillar trim, and remove the bolt inside.

14) Disconnect each connector, and remove the rear quarter upper trim.



B: INSTALLATION

Install in the reverse order of removal.