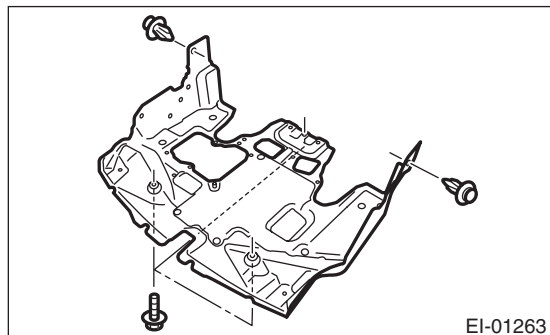


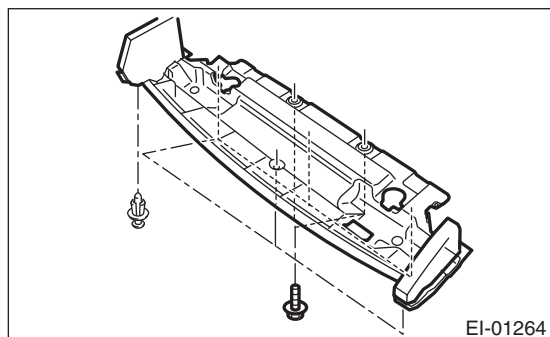
2. Front Under Cover

A: REMOVAL

1) Remove the clips and bolts, then remove the undercover.



2) Remove the clips and bolts, then remove the front lower cover.



B: INSTALLATION

Install in the reverse order of removal.

Tightening torque:

Refer to "COMPONENT" of "General Description". <Ref. to EI-2, UNDER COVER, COMPONENT, General Description.>