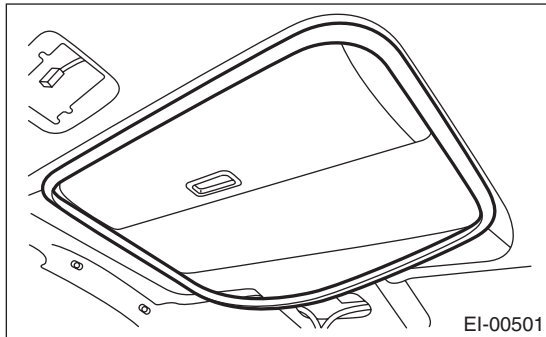


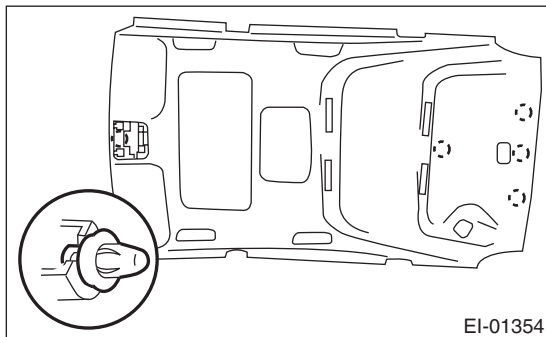
23. Roof Trim

A: REMOVAL

- 1) Disconnect the ground cable from the battery.
- 2) Remove the spot map light. <Ref. to LI-30, REMOVAL, Spot Map Light.>
- 3) Remove the room light or rear entertainment (model with rear entertainment system). <Ref. to LI-31, REMOVAL, Room Light.>
- 4) Remove the sun visor. <Ref. to EI-48, REMOVAL, Sun Visor.>
- 5) Remove the assist grip. <Ref. to EI-49, REMOVAL, Assist Grip.>
- 6) Remove the front pillar upper trim and center pillar upper trim. <Ref. to EI-43, REMOVAL, Side Trim.>
- 7) Remove the rear quarter upper trim. <Ref. to EI-45, REMOVAL, Rear Quarter Trim.>
- 8) Remove the sunroof opening trim. (Model with sunroof)



- 9) Remove the clips and each harness, pull out the rear center seat belt, and remove the roof trim.



B: INSTALLATION

Install in the reverse order of removal.