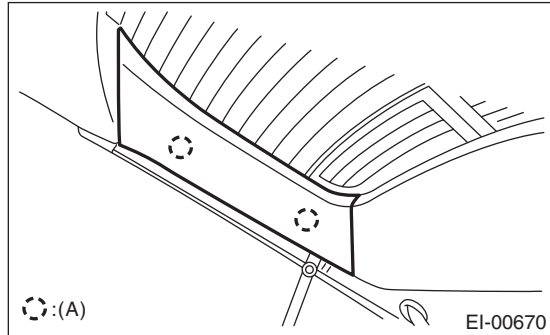


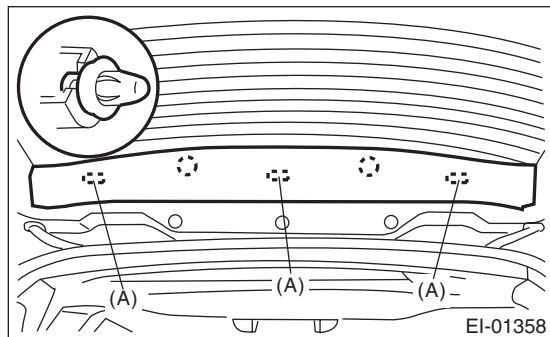
24.Rear Gate Trim

A: REMOVAL

1) Remove the claws (A), and remove the rear gate pillar trim.

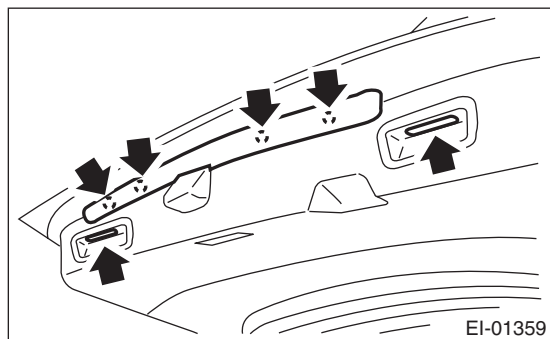


2) Remove the clips and claws (A), and remove the rear gate upper trim.

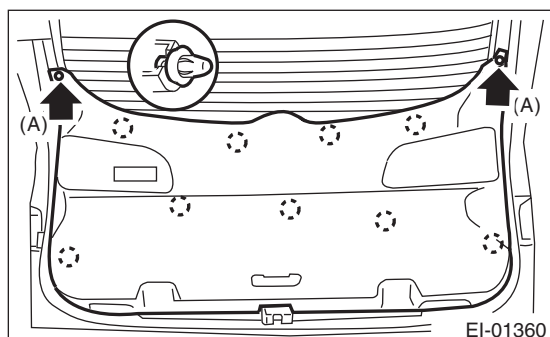


3) Remove the cover in the inner handle, and loosen the inside screw.

4) Turn over the weather strip, and remove the clips.



5) Remove the clips (A), and remove the rear gate lower trim.



B: INSTALLATION

Install in the reverse order of removal.