

# Rear Bumper

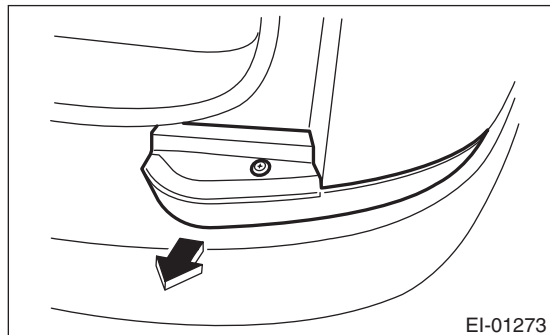
EXTERIOR/INTERIOR TRIM

## 7. Rear Bumper

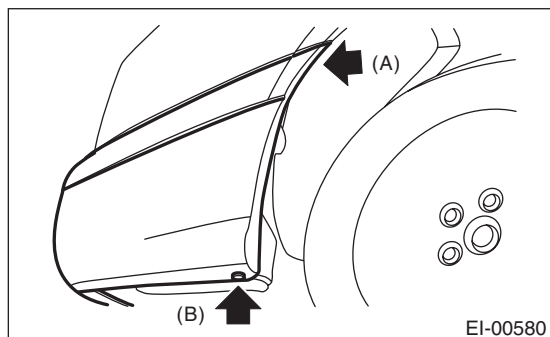
### A: REMOVAL

#### 1. REAR BUMPER FACE

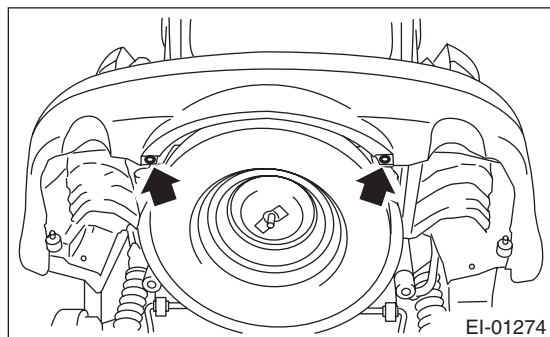
1) Remove the clips, and then remove the reflector.



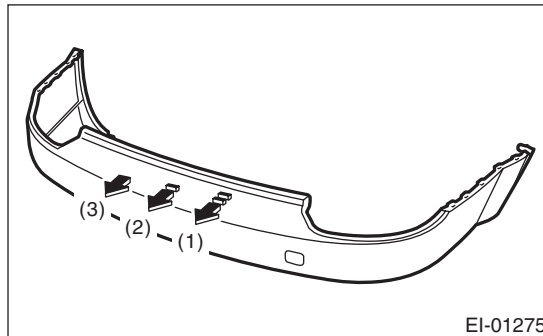
2) Turn over the mud guard, and remove the clip (A) and (B) inside wheel house and in the lower side of bumper.



3) Remove the clips on the lower side of rear bumper.



4) Remove the rear bumper from vehicle body.



### CAUTION:

**Do not pull with a excessive force. Otherwise the bracket installation area may be damaged.**

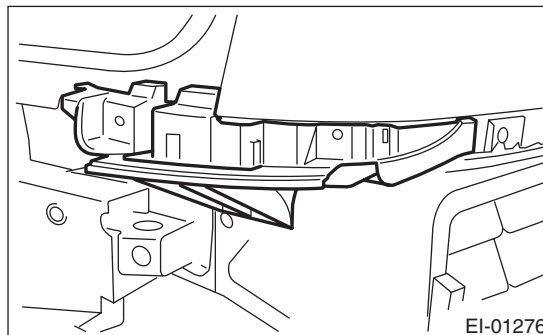
### NOTE:

When removing the bumper face from bracket, it is easier to remove from the end in order.

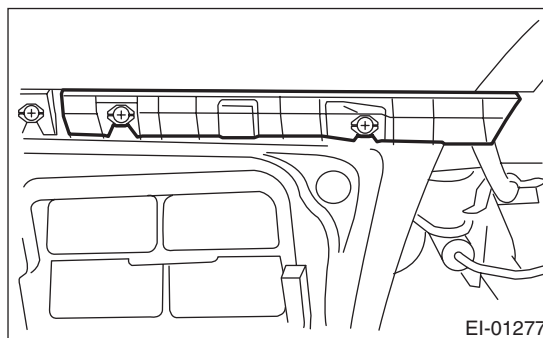
#### 2. REAR BUMPER BRACKET

1) Remove the rear bumper face from vehicle body.

2) Remove the corner bracket.

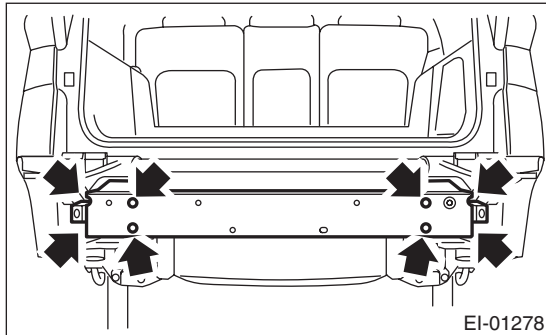


3) Remove the lower brackets from vehicle body.



## 3. REAR BUMPER BEAM ASSEMBLY

- 1) Remove the rear bumper face.
- 2) Remove the energy absorber foam.
- 3) Remove the nuts, and remove the bumper beam assembly from vehicle body.



## B: INSTALLATION

Install in the reverse order of removal.

### *Tightening torque:*

*Refer to “COMPONENT” of “General Description”.*

*<Ref. to EI-5, REAR BUMPER, COMPONENT, General Description.>*

## C: REPAIR

Refer to front bumper repair. <Ref. to EI-23, REPAIR, Front Bumper.>