

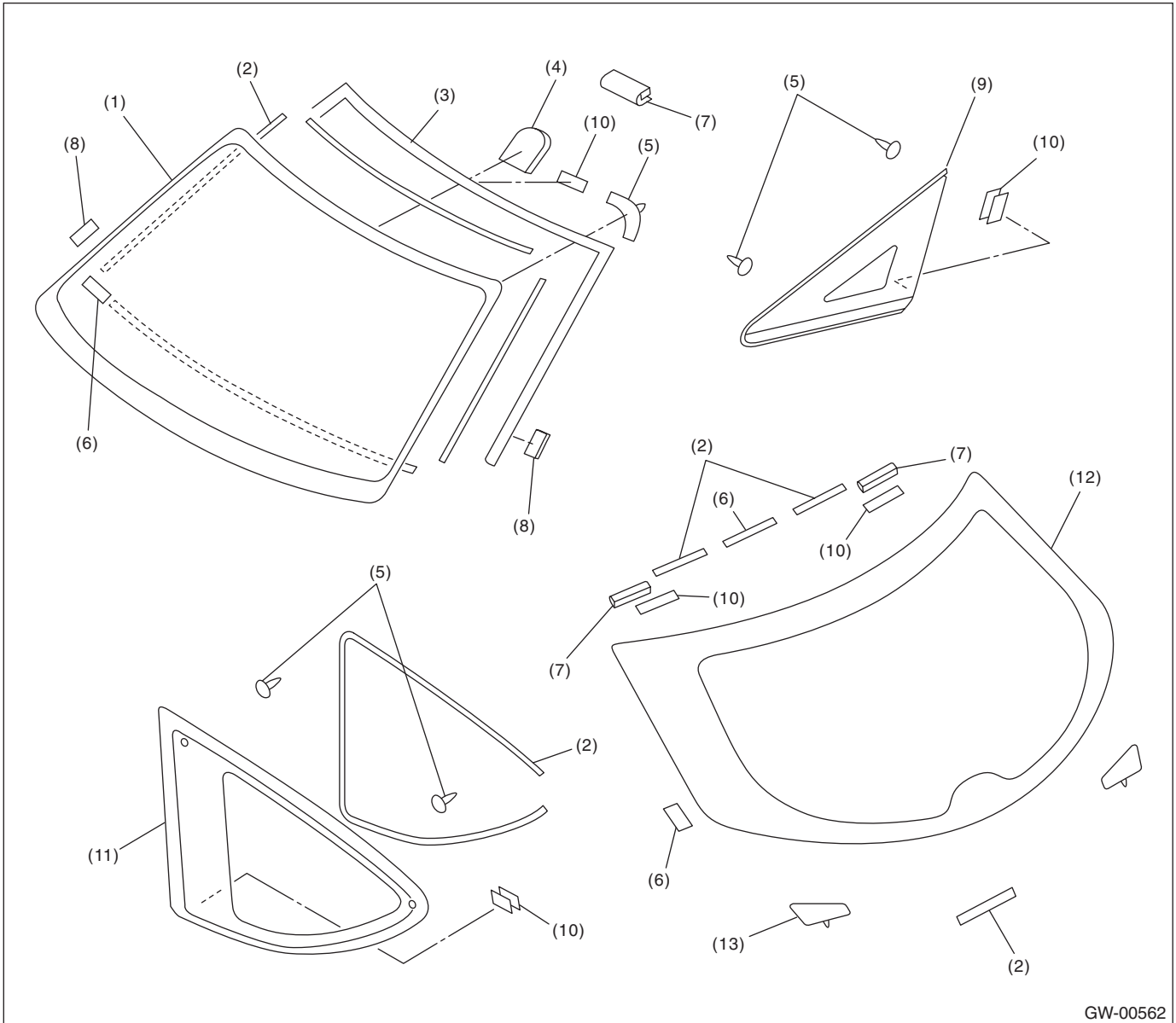
General Description

GLASS/WINDOWS/MIRRORS

1. General Description

A: COMPONENT

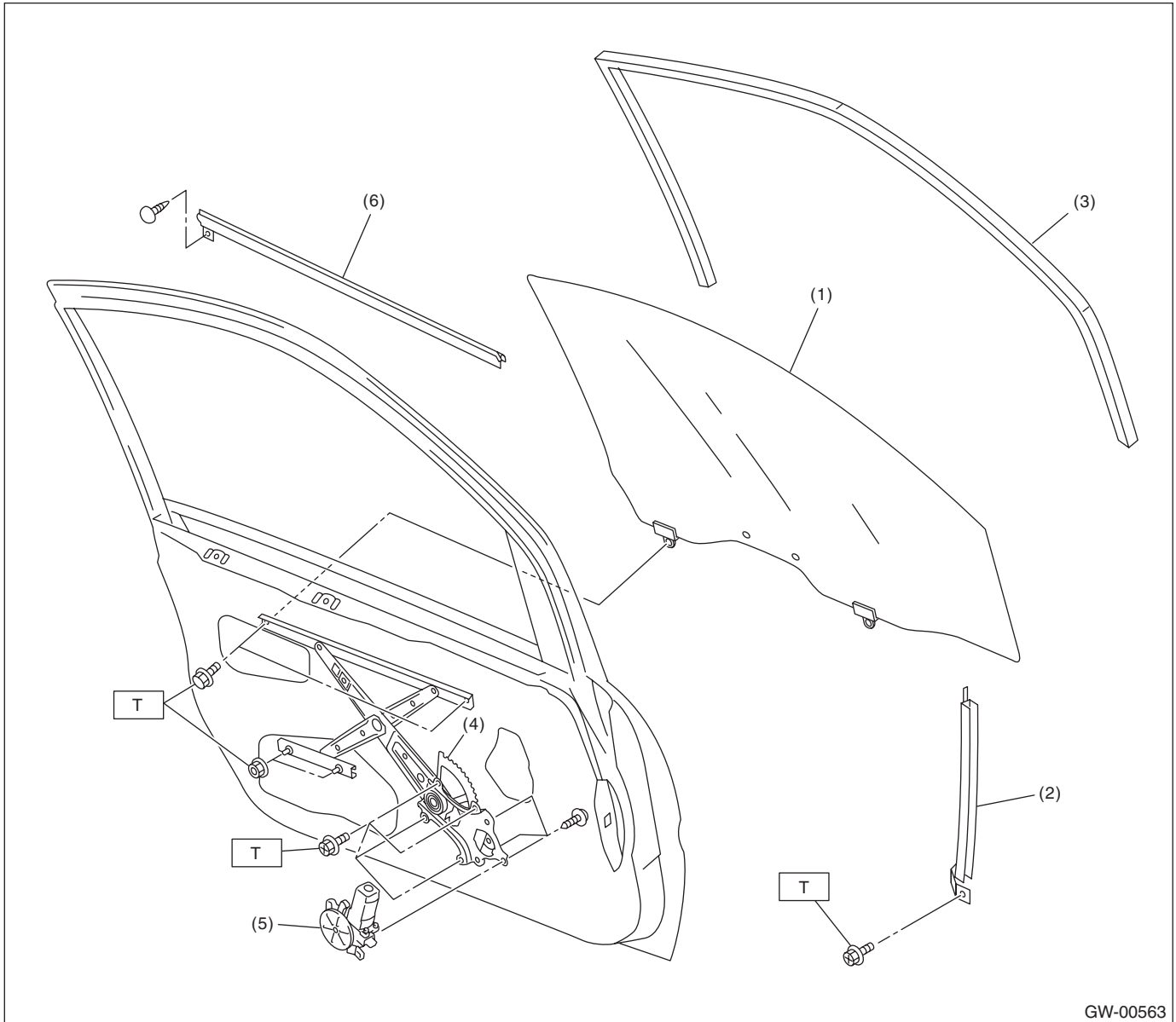
1. FIXED GLASS



GW-00562

- | | | |
|---------------------------|-------------------------|-------------------------|
| (1) Windshield glass | (6) Spacer | (10) Fastener |
| (2) Dam rubber | (7) Fastener | (11) Rear quarter glass |
| (3) Molding front | (8) Seal | (12) Rear gate glass |
| (4) Rearview mirror mount | (9) Front quarter glass | (13) Glass clip pin |
| (5) Locating pin | | |

2. FRONT DOOR GLASS



GW-00563

- | | |
|----------------------|--------------------|
| (1) Glass | (4) Regulator ASSY |
| (2) Door sash | (5) Motor ASSY |
| (3) Glass run rubber | (6) Weather strip |

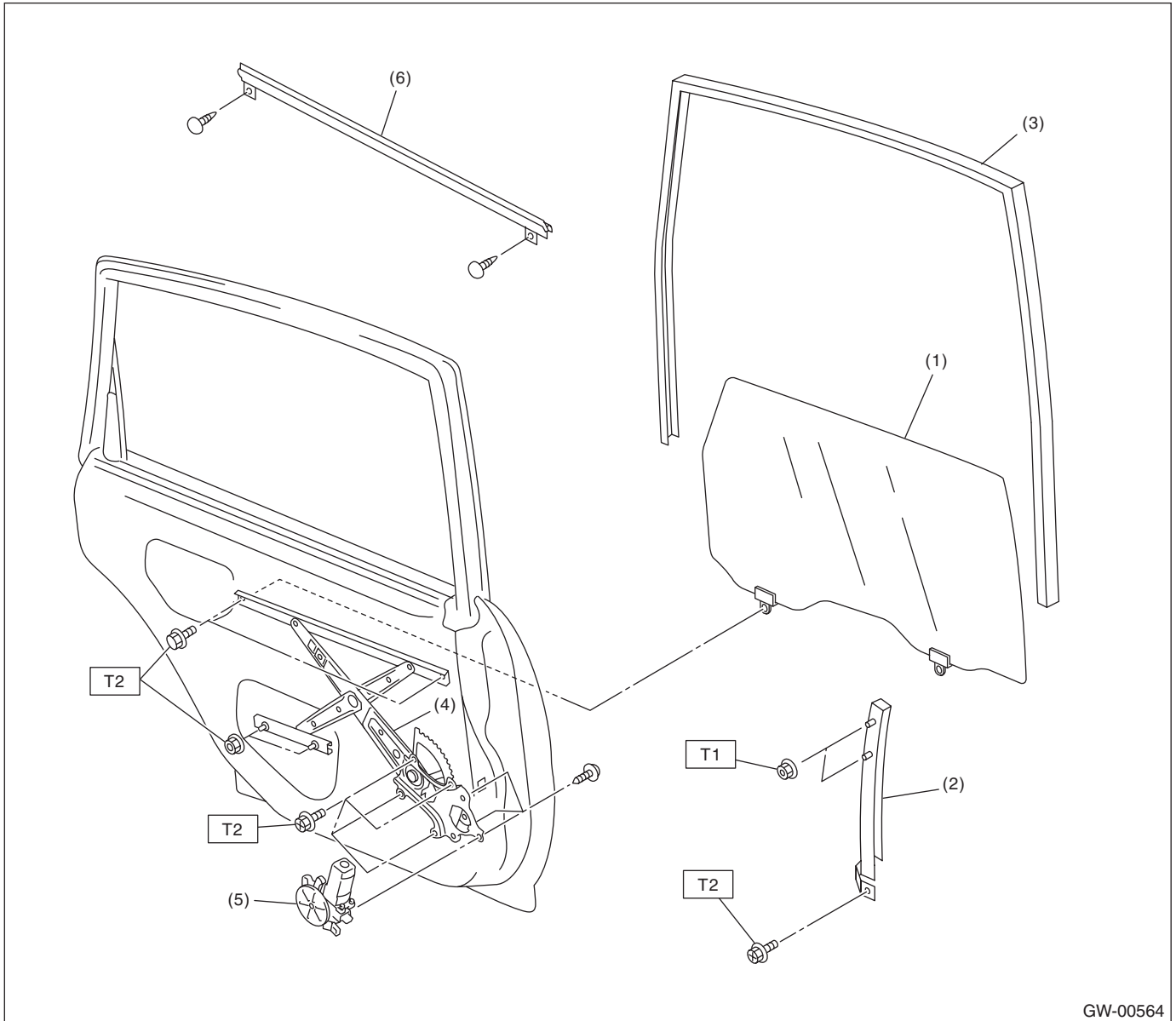
Tightening torque: N·m (kgf·m, ft·lb)

T: 7.4 (0.75, 5.5)

General Description

GLASS/WINDOWS/MIRRORS

3. REAR DOOR GLASS



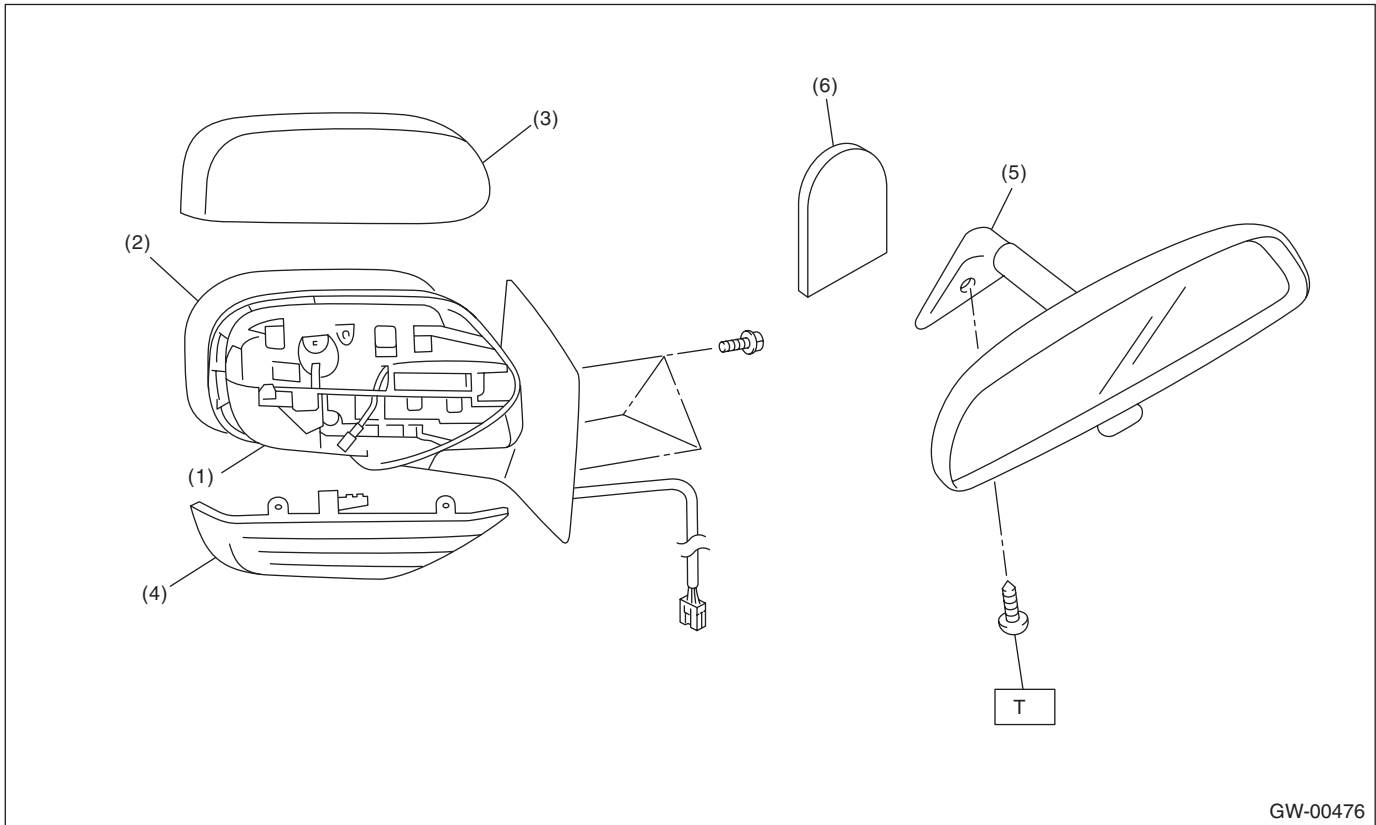
- | | |
|----------------------|--------------------|
| (1) Glass | (4) Regulator ASSY |
| (2) Door sash | (5) Motor ASSY |
| (3) Glass run rubber | (6) Weather strip |

Tightening torque: N·m (kgf·m, ft·lb)

T1: 4.4 (0.45, 3.3)

T2: 7.4 (0.75, 5.5)

4. MIRROR



GW-00476

- | | |
|------------------|----------------------------|
| (1) Outer mirror | (4) Side turn signal light |
| (2) Mirror | (5) Rearview mirror |
| (3) Scalp cap | (6) Mount |

Tightening torque: N·m (kgf·m, ft·lb)

T: 2 (0.2, 1.5)

B: CAUTION

- When electrical connectors are disconnected, always conduct an operational check after connecting them again.
- Avoid impact and damage to the glass.

C: PREPARATION TOOL

1. GENERAL TOOL

TOOL NAME	REMARKS
Circuit tester	Used for checking voltage and continuity.
Piano wire	Used for removing the window glass.
Windshield glass knife	Used for removing the window glass.
TORX®T20	Used for removing and installing the rearview mirror.