

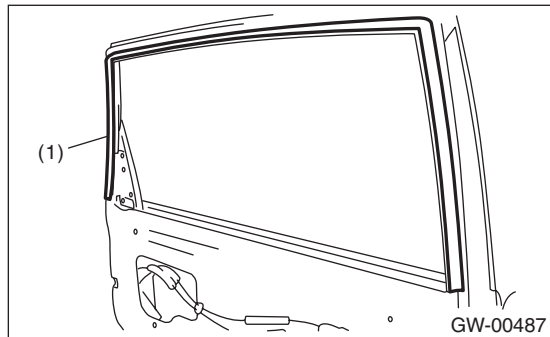
# Rear Door Glass

GLASS/WINDOWS/MIRRORS

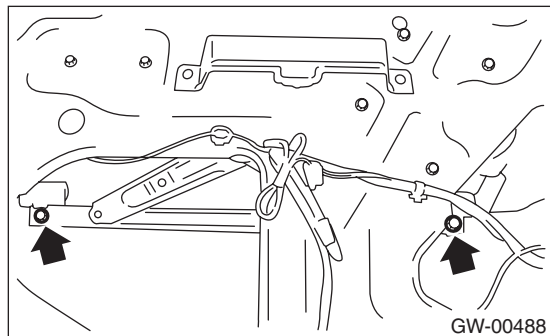
## 11.Rear Door Glass

### A: REMOVAL

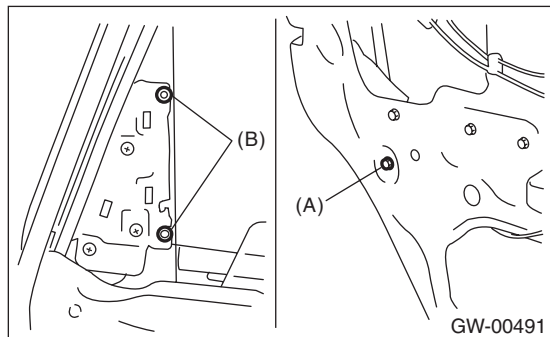
- 1) Remove the rear door trim. <Ref. to EI-35, REMOVAL, Door Trim.>
- 2) Remove the sealing cover. <Ref. to EB-21, REMOVAL, Rear Sealing Cover.>
- 3) Apply the protective tape (1) to the areas as shown in the figure.



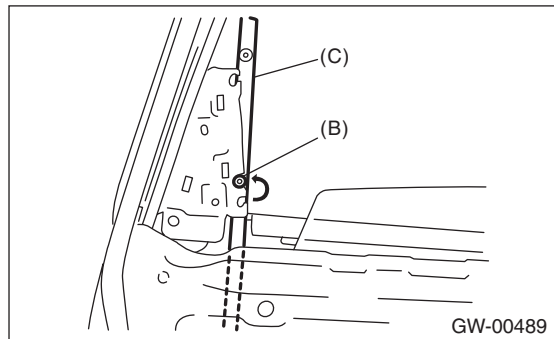
- 4) Operate the power window switch to move the glass to the position shown in the figure, and then remove the two bolts through service holes.



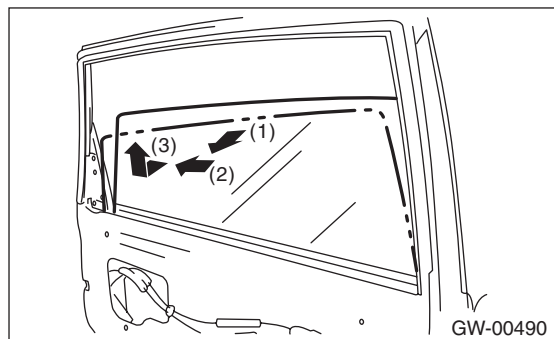
- 5) Remove the sash retaining bolts (A), and loosen the retaining nuts (B).



- 6) Move the sash (C) upward, and move the nut (B) to the position on rear door as shown in the figure.



- 7) Detach the rear part of door glass from sash (1), and move it backward (2). Tilt the door glass inward, and move it upward to remove (3).



### CAUTION:

- Since the gear may be disengaged, do not turn regulator in the closing direction after removing glass.
- Avoid impact and damage to the glass.

- 8) Remove the glass run rubber.
- 9) Remove the door sash.

### B: INSTALLATION

Install in the reverse order of removal.

### CAUTION:

Make sure that the glass run rubber is placed securely in door frame and sash.

### Tightening torque:

Refer to "COMPONENT" of "General Description". <Ref. to GW-4, REAR DOOR GLASS, COMPONENT, General Description.>