

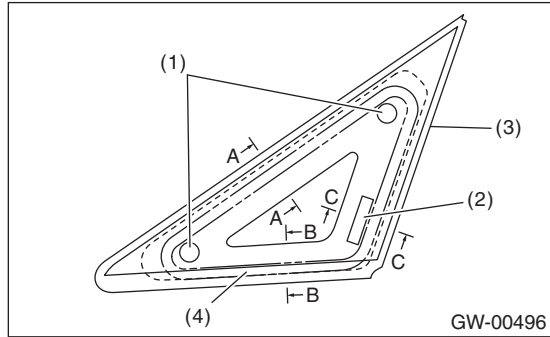
Front Quarter Glass

GLASS/WINDOWS/MIRRORS

14. Front Quarter Glass

A: REMOVAL

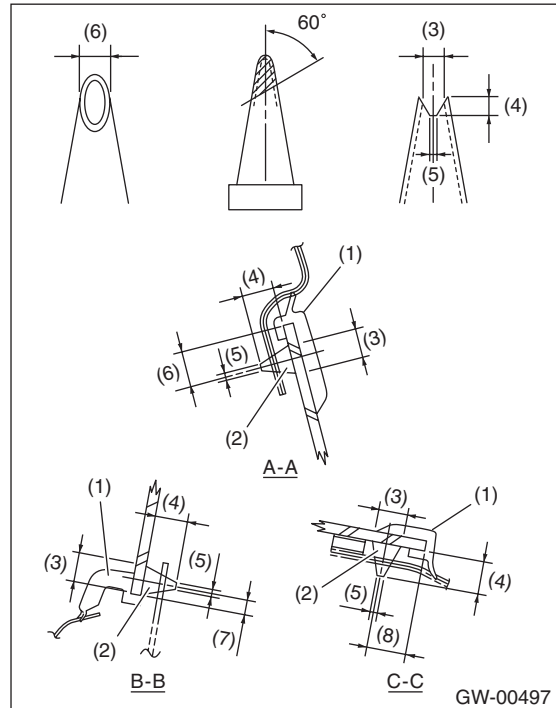
Remove the front quarter glass in the same procedure as for windshield glass. <Ref. to GW-18, REMOVAL, Windshield Glass.>



- (1) Locating pin
- (2) Fastener
- (3) Encap molding
- (4) Adhesive

B: INSTALLATION

1) Cut out the nozzle head and apply adhesive to the glass end surface as shown.



- (1) Encap molding
- (2) Adhesive
- (3) 8 mm (0.31 in)
- (4) 9 mm (0.35 in)
- (5) 2 mm (0.07 in)
- (6) 10 mm (0.39 in)
- (7) 4.5 mm (0.17 in)
- (8) 11 mm (0.43 in)

2) Install the glass in the same procedure as for windshield glass. <Ref. to GW-19, INSTALLATION, Windshield Glass.>

3) After completion of all work, allow the vehicle to stand for about 24 hours.

NOTE:

- When door is opened/closed after glass is bonded, always lower the door glass first, and then open/close it carefully.
 - Move the vehicle slowly.
 - For minimum drying time and vehicle standing time before driving after bonding, follow instructions or instruction manual from the adhesive manufacturer.
- 4) After curing of adhesive, pour the water on external surface of vehicle to check that there are no water leaks.

NOTE:

When a vehicle is returned to the user, tell him or her that the vehicle should not be subjected to heavy impact for at least three days.