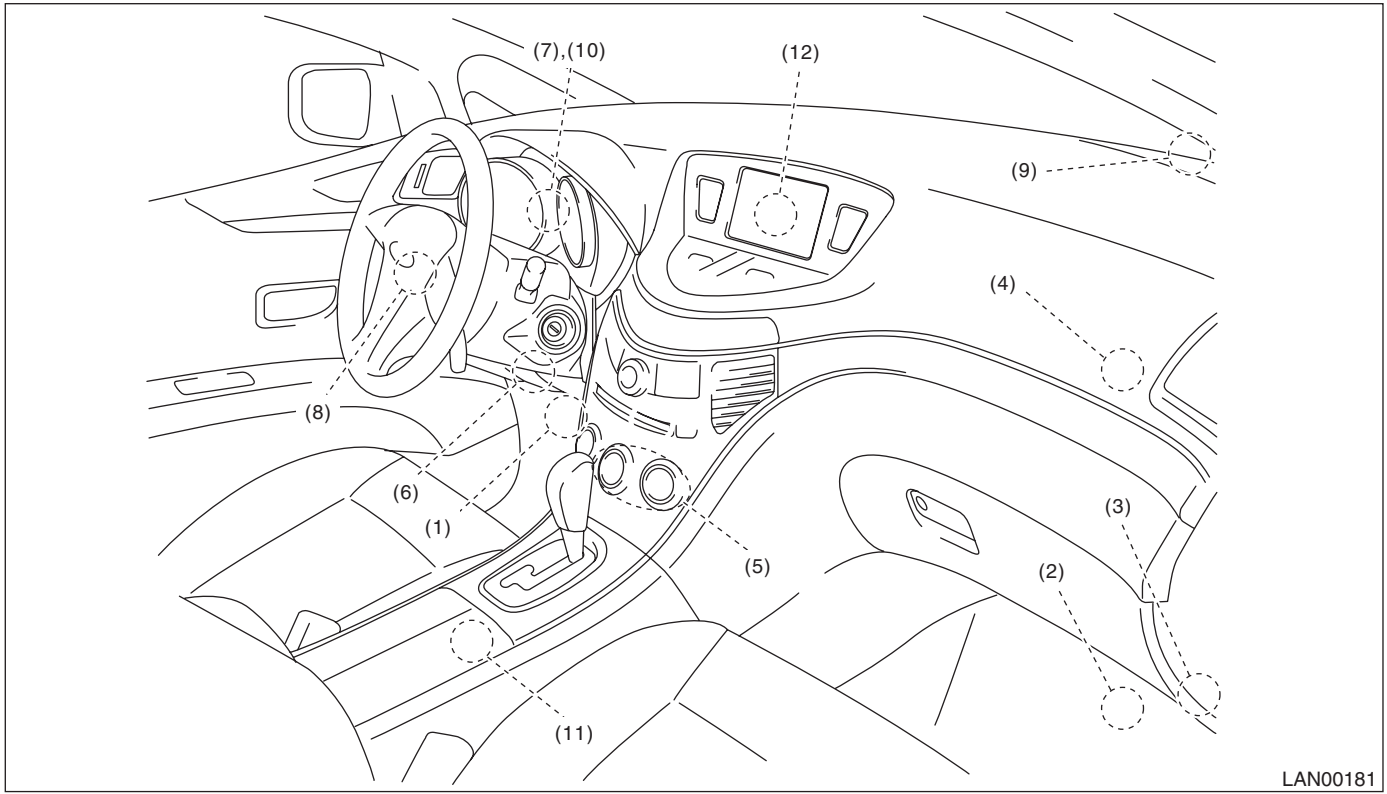


## 4. Electrical Component Location

### A: LOCATION



LAN00181

- |  |                                       |   |
|--|---------------------------------------|---|
| (1) Body integrated unit                   | (6) Transmission control module (TCM) | (9) VDCCM&H/U (In engine compartment)           |
| (2) Engine control module (ECM)            | (7) Combination meter                 | (10) Odo/trip meter                             |
| (3) Auto A/C control module                | (8) Steering angle sensor             | (11) Yaw rate sensor                            |
| (4) Keyless entry control module (Antenna) | (9) VDCCM&H/U (In engine compartment) | (12) Center monitor (navigation monitor or MFD) |
| (5) A/C control panel                      |                                       |   |

# Electrical Component Location

## LAN SYSTEM (DIAGNOSTICS)

