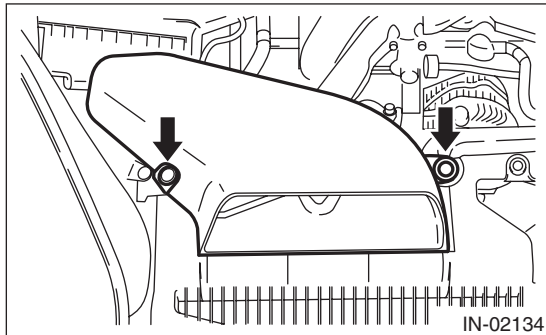


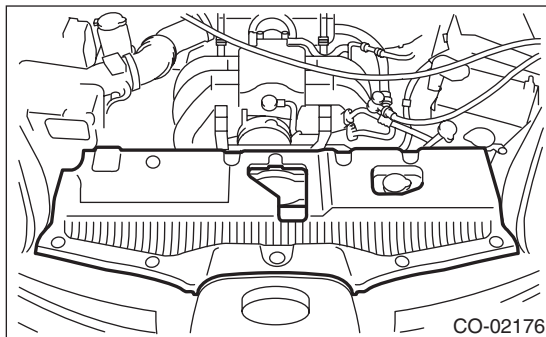
10. Headlight Assembly

A: REMOVAL

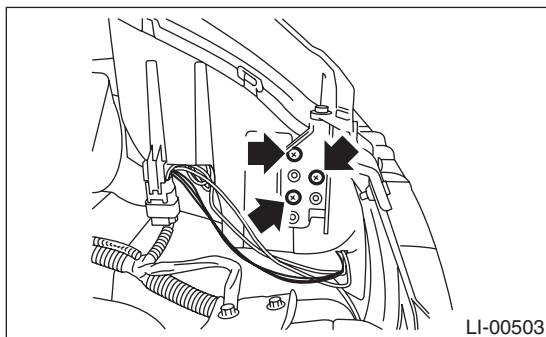
- 1) Disconnect the ground cable from the battery.
- 2) Remove the air intake duct.



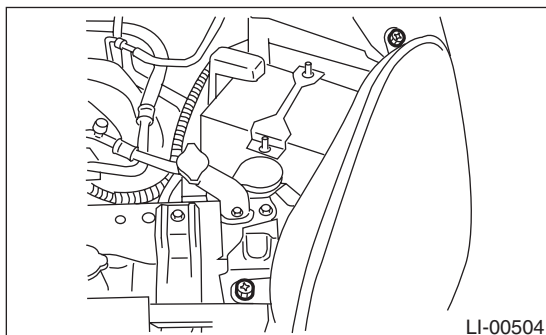
- 3) Remove the engine front cover.



- 4) Disengage the three clips, and then turn over the mud guard.
- 5) Remove the three bolts securing the headlight assembly from the lower side of vehicle.



- 6) Remove the two bolts and then remove the headlight assembly.



- 7) Disconnect the connector and then detach the rear headlight assembly.

B: INSTALLATION

Install in the reverse order of removal.

C: ADJUSTMENT

1. HEADLIGHT AIMING

NOTE:

Aiming of this headlight can be adjusted only in the vertical direction. It cannot be adjusted in the horizontal direction.

CAUTION:

Turn off the light before adjusting the headlight beam level. If it is necessary to inspect the beam level, do not turn on the light for more than two minutes.

NOTE:

Before checking the headlight beam level, be sure of the following:

- Check the area around the headlight for any scratches, damage or other type of deformation.
- Make sure that the vehicle is parked on a level surface.
- Make sure that the inflation pressure of tires are correct.
- Check that the vehicle fuel tank is full.

- 1) Bounce the vehicle several times to normalize the suspension.

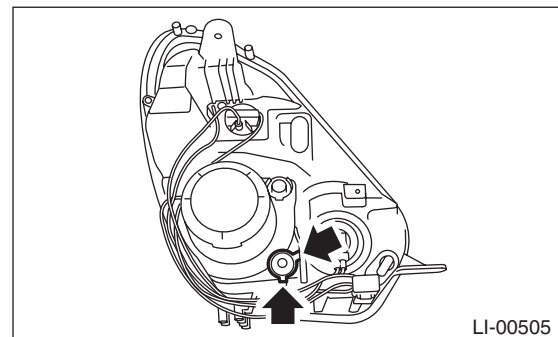
- 2) Make certain that someone is seated in the driver's seat.

- 3) Measure the heights of headlights and the distance between the centers of left and right LO beam bulbs.

- 4) Turn the headlights on and then adjust the low beam pattern.

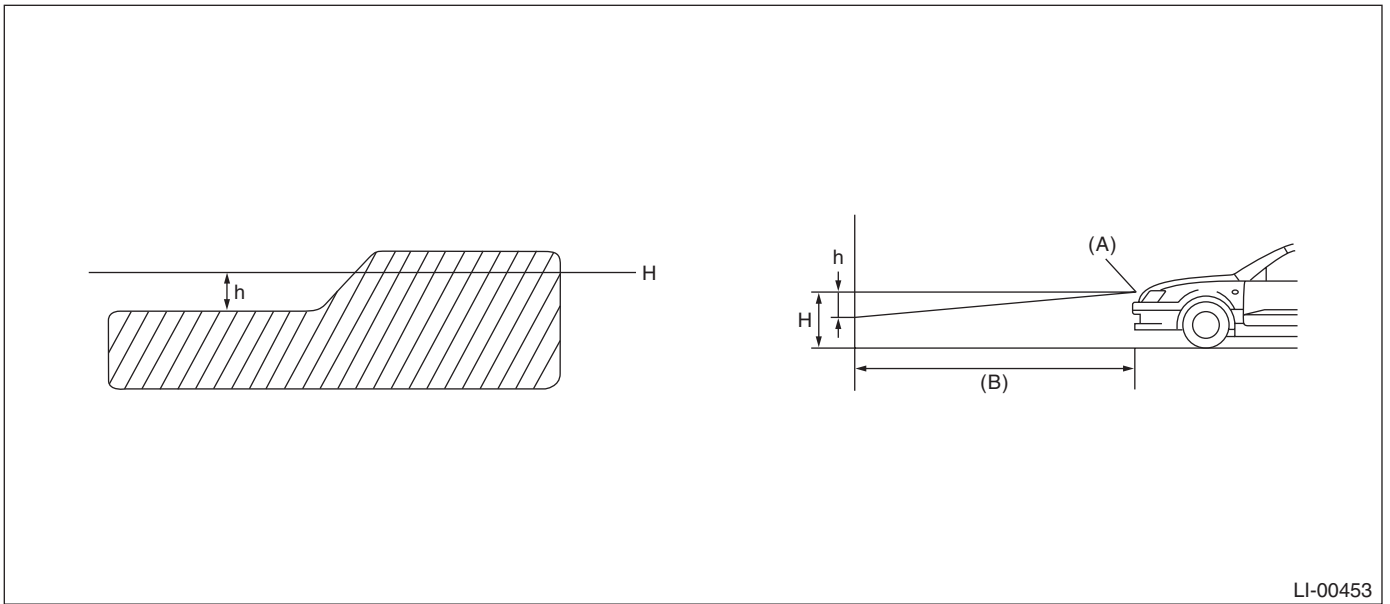
NOTE:

Adjust the headlight beam level by turning the adjusting screw. The adjusting screw can be accessed from two directions described in the figure.



Headlight Assembly

LIGHTING SYSTEM



(A) Bulb center marking

(B) 3 m (10 ft)

h mm (in) at 3 m (10 ft)	21 (0.83)
--------------------------	-----------