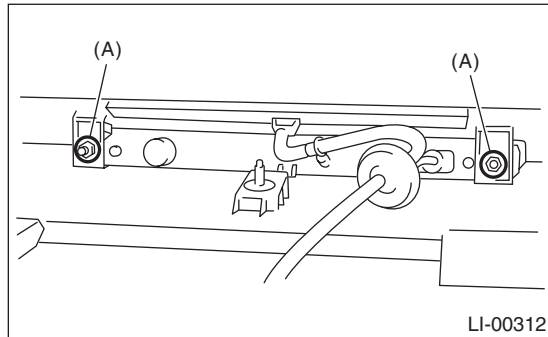


## 26.High-mounted Stop Light

### A: REMOVAL

- 1) Disconnect the ground cable from the battery.
- 2) Detach the roof spoiler. <Ref. to EI-31, REMOVAL, Roof Spoiler.>
- 3) Remove the nuts (A), then detach the high-mounted stop light.



### B: INSTALLATION

Install in the reverse order of removal.

### C: INSPECTION

- 1) Install the high-mounted stop light to test if it illuminates normally.
- 2) If the high-mounted stop light does not illuminate, replace it with a new one.

#### NOTE:

Since LEDs (Light Emitting Diodes) are used for the high-mounted stop light, replace the high-mounted stop light assembly when the LEDs went out.