

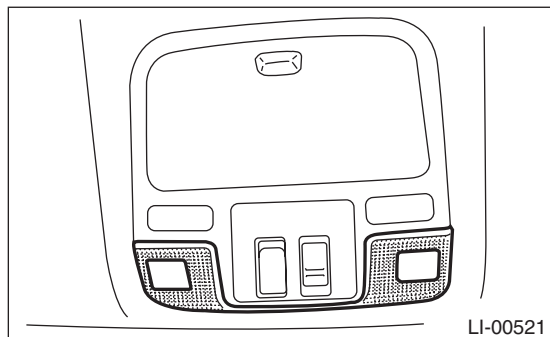
Spot Map Light

LIGHTING SYSTEM

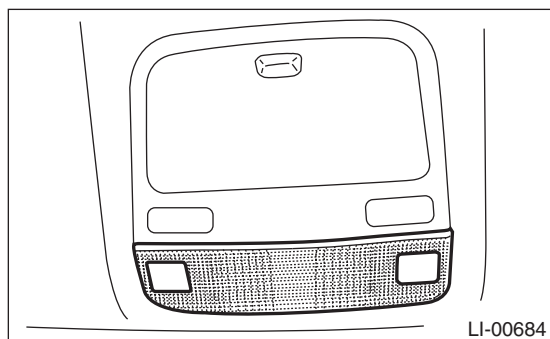
27. Spot Map Light

A: REMOVAL

- 1) Disconnect the ground cable from the battery.
- 2) Remove the lens.
 - Model with sunroof

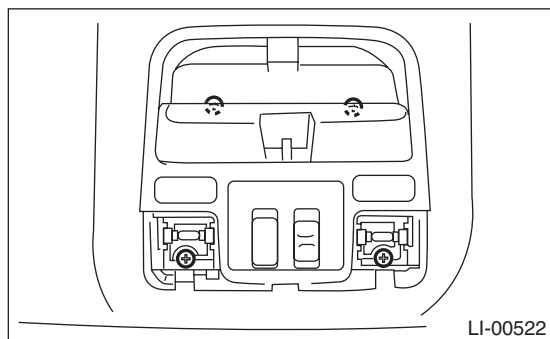


- Model with standard roof

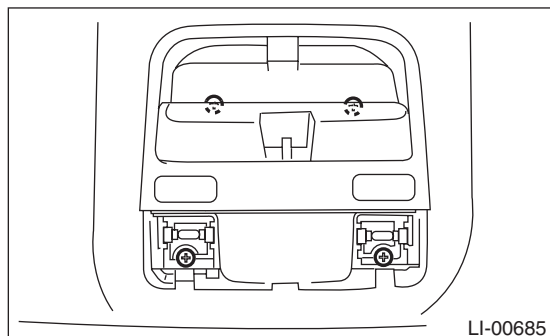


- 3) Remove the four bolts used for mounting the spot map light.

- Model with sunroof



- Model with standard roof



- 4) Disconnect the harness connectors and remove the spot map light.

B: INSTALLATION

Install in the reverse order of removal.

C: INSPECTION

1. SPOT MAP LIGHT BULB

- 1) Visually check the bulb for blow out.
- 2) Check the bulb specification. <Ref. to LI-2, SPECIFICATION, General Description.>
- 3) If NG, replace the bulb with a new one.

2. SPOT MAP LIGHT SWITCH

Measure the resistance between spot map light switch terminals.

Switch position	Terminal No.	Standard
OFF	—	1 MΩ or more
ON	1 and 2	18±5.4 Ω