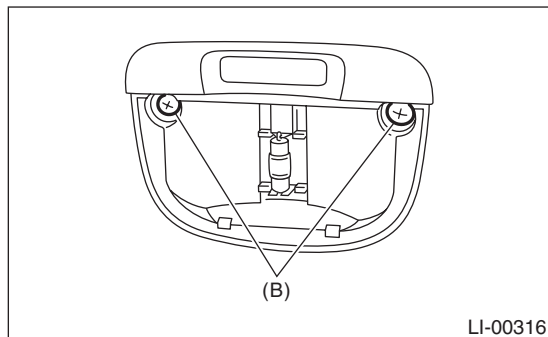
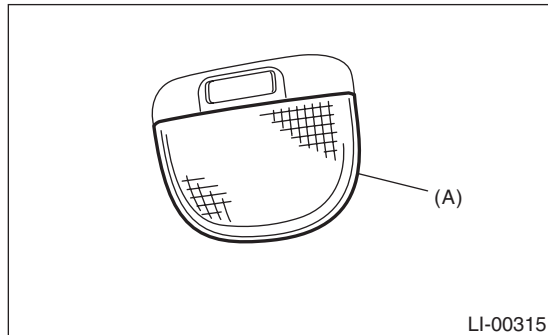


28. Room Light

A: REMOVAL

1. MODEL WITHOUT REAR ENTERTAINMENT SYSTEM

- 1) Disconnect the ground cable from the battery.
- 2) Remove the lens (A) and mounting screws (B).



- 3) Disconnect the harness connector and remove the room light.

2. MODEL WITH REAR ENTERTAINMENT SYSTEM

The room light bulb is integrated into the rear entertainment system as a single unit; therefore, refer to Rear Entertainment System for the removal procedure. <Ref. to ET-30, REMOVAL, Rear Entertainment.>

B: INSTALLATION

Install in the reverse order of removal.

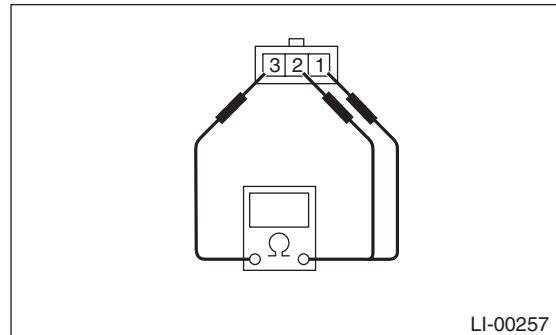
C: INSPECTION

1. ROOM LIGHT BULB

- 1) Visually check the bulb for blow out.
- 2) Check the bulb specification. <Ref. to LI-2, SPECIFICATION, General Description.>
- 3) If NG, replace the bulb with a new one.

2. ROOM LIGHT SWITCH

Measure the resistance between room light switch terminals.



Switch position	Terminal No.	Standard
OFF	—	1 MΩ or more
ON	1 and 3	1.5±0.5 Ω
DOOR	2 and 3	1.5±0.5 Ω