

Front Seat Belt

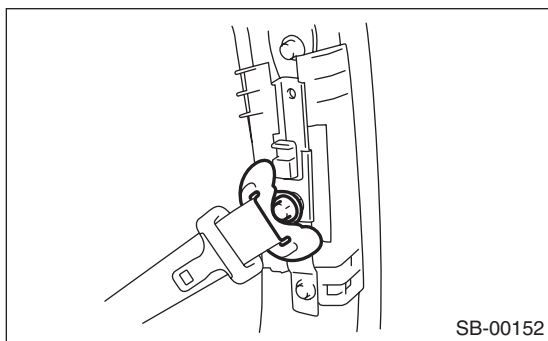
SEAT BELT SYSTEM

5. Front Seat Belt

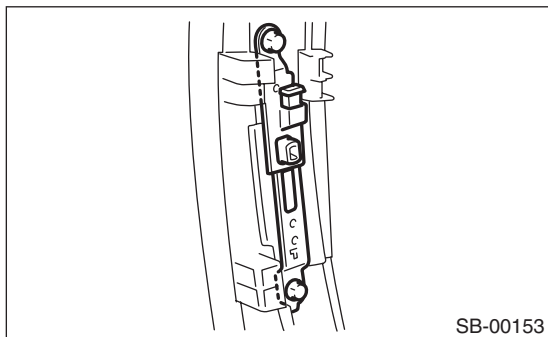
A: REMOVAL

1. OUTER SEAT BELT ASSEMBLY

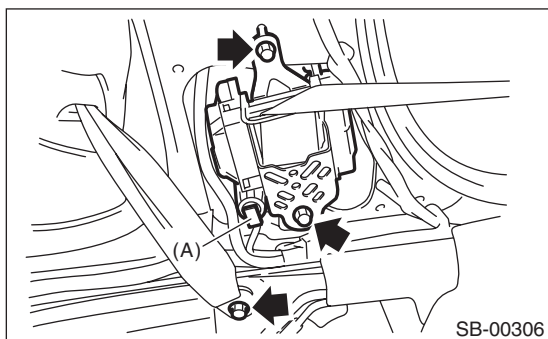
- 1) Fold the backrest all the way forward, and then move the front seat all the way forward.
- 2) Turn the ignition switch to OFF, disconnect the battery ground cable, and wait 20 seconds or more.
- 3) Remove the center pillar lower trim and center pillar upper trim. <Ref. to EI-44, CENTER PILLAR LOWER TRIM, REMOVAL, Side Trim.> <Ref. to EI-44, CENTER PILLAR UPPER TRIM, REMOVAL, Side Trim.>
- 4) Remove the bolt, and then remove the shoulder anchor.



- 5) Remove the bolt, and then remove the adjustable anchor assembly.



- 6) Disconnect connector (A) of the pretensioner, and remove the lower anchor bolt and seat belt retractor.



- 7) On the passenger side, disconnect connector of the belt tension sensor.

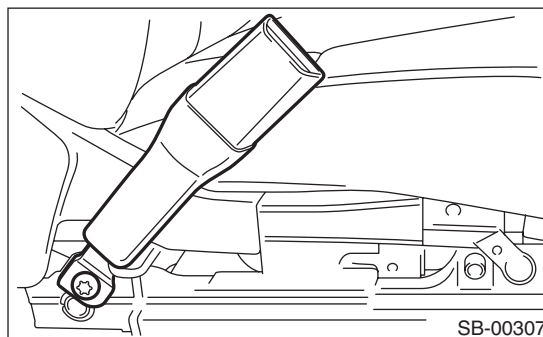


CAUTION:

- Do not drop or subject the pretensioner to any impact.
- Since the pretensioner and bracket are integrated as a unit, do not disassemble them.

2. INNER SEAT BELT ASSEMBLY

- 1) Turn the ignition switch to OFF, disconnect the battery ground cable, and wait 20 seconds or more.
- 2) Remove the four bolts in the slide rail LH and RH.
- 3) Disconnect the seat belt warning light connector under the seat.
- 4) Remove the harness clips from the back of the seat.
- 5) Remove the TORX® bolt, and then remove the inner seat belt assembly.



B: INSTALLATION

1. OUTER SEAT BELT ASSEMBLY

Install in the reverse order of removal.

CAUTION:

- The parts of driver and passenger sides are not the same. Before installation, make sure that the correct part is used.
- Be careful not to twist the seat belts during installation.

Tightening torque:

<Ref. to SB-2, FRONT SEAT BELT, COMPONENT, General Description.>

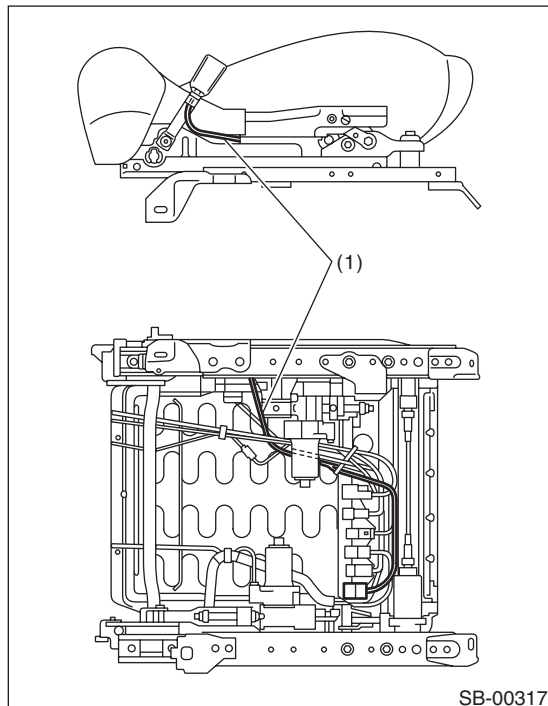
2. INNER SEAT BELT ASSEMBLY

Install in the reverse order of removal.

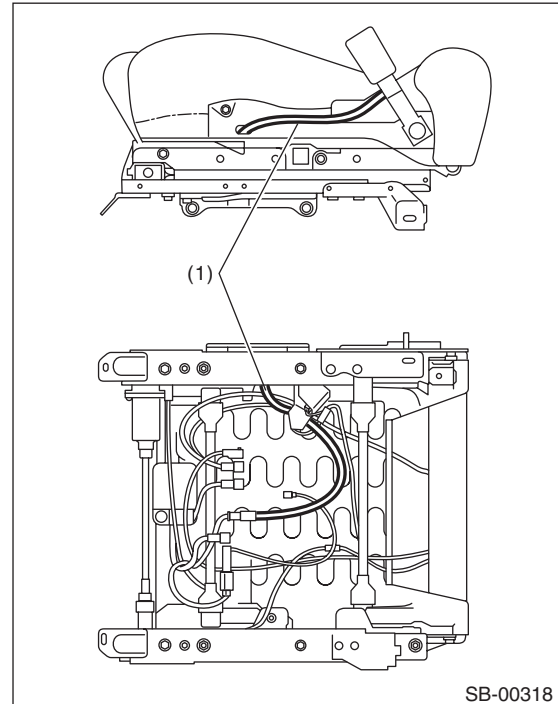
CAUTION:

- After the driver's and passenger's inner seat belt assembly installation, check that the seat belt buckle switch operates normally using the Subaru Select Monitor in {Status Data} of "Airbag System". <Ref. to AB(diag)-33, DISPLAY OF STATUS INFORMATION, OPERATION, Subaru Select Monitor.>Improper buckle switch operation may cause airbag system malfunction.
- Inner seat belt assembly harness (1) must be routed securely as shown in the figure, as it can affect the performance of the seat position sensor and occupant detection system.

- Driver's seat



- Passenger's seat



Tightening torque:

<Ref. to SB-2, FRONT SEAT BELT, COMPONENT, General Description.>

C: INSPECTION

1. OUTER SEAT BELT ASSEMBLY

Check for the following, and replace with new parts if necessary.

- Pretensioner is cracked or deformed.
- The belt tension sensor is cracked. Or deformed.
- Seat belt is slackened, bent or worn. Seat belt is abnormally wound or extended.

2. INNER SEAT BELT ASSEMBLY

Check for the following, and replace with new parts if necessary.

- Inner seat belt assembly is deformed or damaged.
- Seat belt buckle cannot be engaged properly.