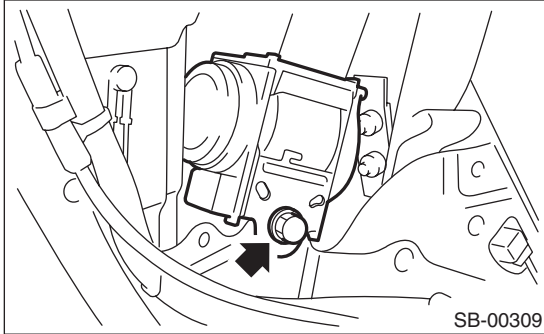


7. Third Seat belt

A: REMOVAL

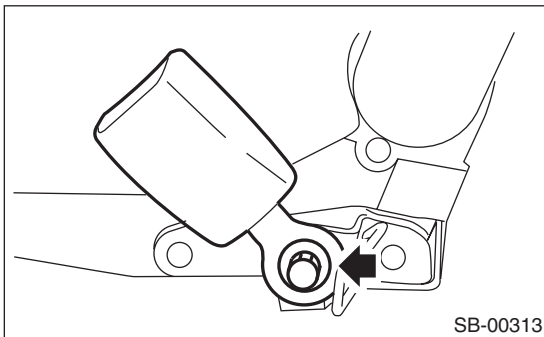
1. OUTER SEAT BELT RH ASSEMBLY AND LH ASSEMBLY

- 1) Remove the third-row seats. <Ref. to SE-18, REMOVAL, Third-Row Seats.>
- 2) Remove the rear quarter trim. <Ref. to EI-45, REMOVAL, Rear Quarter Trim.>
- 3) Remove the bolts, and then detach the outer seat belt assembly.



2. INNER SEAT BELT RH ASSEMBLY AND LH ASSEMBLY

- 1) Remove the third-row seats. <Ref. to SE-18, REMOVAL, Third-Row Seats.>
- 2) Remove the bolt, and then detach the inner seat belt assembly.



B: INSTALLATION

Install in the reverse order of removal.

CAUTION:

When installing, be careful of the routing of the seatbelt, and make sure that the belt is not twisted.

C: INSPECTION

Check for the following, and replace with new parts if necessary.

- Seat belt is slackened, bent or worn. Seat belt is abnormally wound or extended.
- Inner belt is deformed or damaged.
- Seat belt buckle cannot be engaged properly.

LIGHTING SYSTEM



	Page
1. General Description	2
2. Headlight and Tail Light System	3
3. Front Fog Light System	5
4. Turn Signal Light and Hazard Light System	6
5. Back-up Light System	7
6. Stop Light System	8
7. Room Light System	9
8. Combination Switch (Light)	10
9. Combination Base Switch Assembly	11
10. Headlight Assembly	12
11. Headlight Bulb	14
12. Front Turn Signal Light Bulb	15
13. Parking Light Bulb	16
14. Front Side Marker Light Bulb	17
15. Front Fog Light Assembly	18
16. Front Fog Light Bulb	19
17. Side Turn Signal Light Assembly	20
18. Rear Combination Light Assembly	21
19. Tail/Stop Light Bulb	22
20. Rear Turn Signal Light Bulb	23
21. Rear Side Marker Light Bulb	24
22. Rear Finisher Light Assembly	25
23. Back-up Light Bulb	26
24. License Plate Light Assembly	27
25. License Plate Light	28
26. High-mounted Stop Light	29
27. Spot Map Light	30
28. Room Light	31
29. Luggage Room Light	32
30. Rear Gate Light	33
31. Glove Box Light	34
32. Door Step Light	35
33. Ignition Switch Illumination	36