

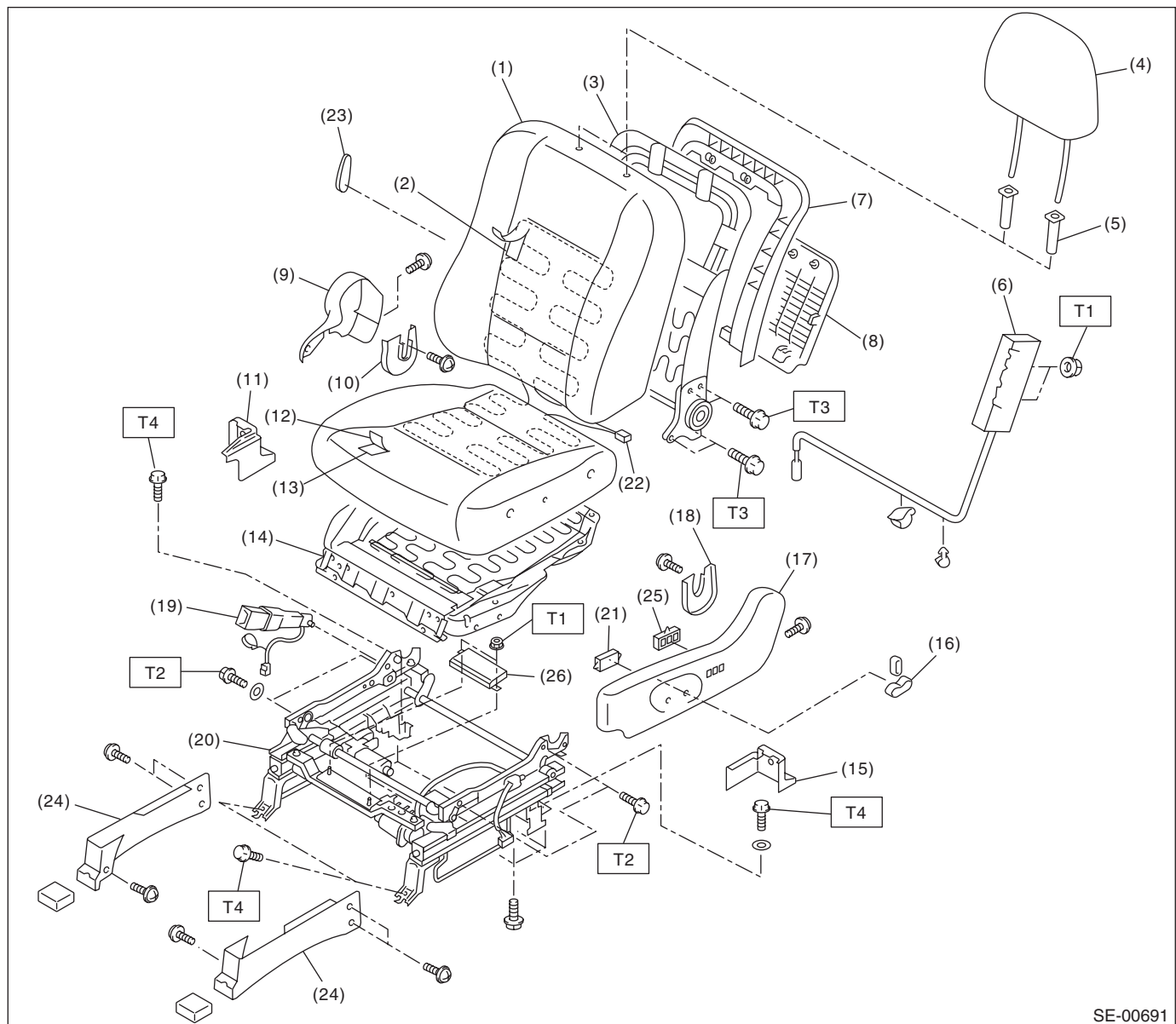
General Description

SEATS

1. General Description

A: COMPONENT

1. FRONT SEAT (DRIVER'S SEAT)



SE-00691

(1) Backrest cover	(13) Seat cushion pad	(24) Slide rail cover
(2) Backrest pad	(14) Seat cushion frame ASSY	(25) Memory switch (memory-equipped)
(3) Backrest frame ASSY	(15) Rear leg cover outside	(26) Memory module (memory-equipped)
(4) Headrest ASSY	(16) Power seat switch knob	
(5) Headrest lock bushing	(17) Seat side cover outside	
(6) Side airbag module	(18) Hinge inner cover LH	
(7) Cover frame	(19) Inner seat belt ASSY	
(8) Backrest back cover	(20) Slide rail ASSY	
(9) Seat side cover inside	(21) Power seat switch unit	
(10) Hinge inner cover RH	(22) Seat heater unit	
(11) Rear leg cover inside	(23) Lumber support lever	
(12) Seat cushion cover		

Tightening torque: N·m (kgf·m, ft·lb)

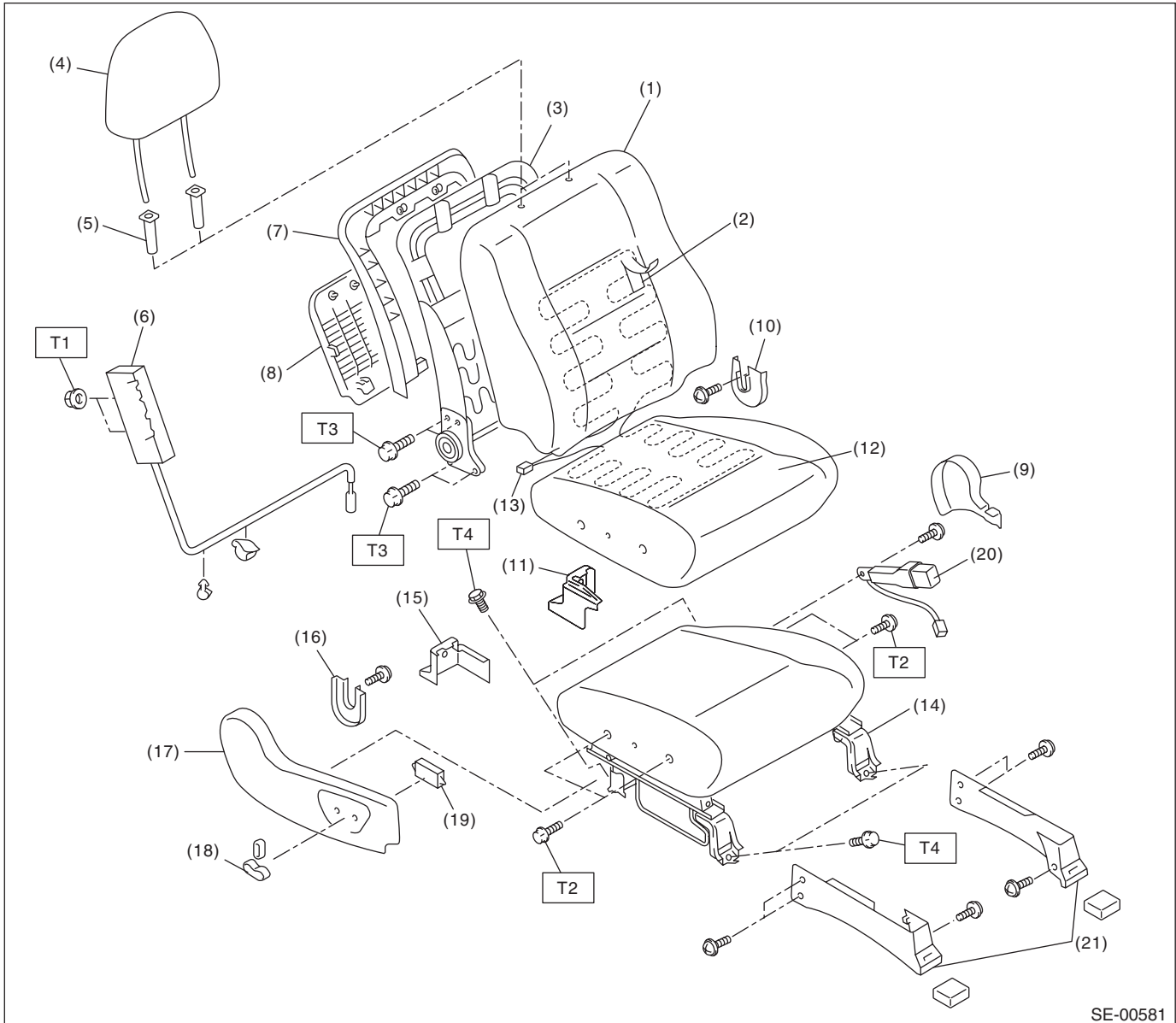
T1: 6 (0.61, 4.43)

T2: 17.6 (1.79, 12.7)

T3: 52 (5.30, 37.6)

T4: 53 (5.40, 38.3)

2. FRONT SEAT (PASSENGER'S SEAT)



- | | | |
|----------------------------|--------------------------------------|-----------------------------|
| (1) Backrest cover | (11) Rear leg cover inside | (19) Power seat switch unit |
| (2) Backrest pad | (12) Seat cushion cover | (20) Inner seat belt ASSY |
| (3) Backrest frame ASSY | (13) Seat heater unit | (21) Slide rail cover |
| (4) Headrest ASSY | (14) Seat cushion pad and frame ASSY | |
| (5) Headrest lock bushing | (15) Rear leg cover outside | |
| (6) Side airbag module | (16) Hinge inner cover RH | |
| (7) Cover frame | (17) Seat side cover outside | |
| (8) Backrest back cover | (18) Power seat switch knob | |
| (9) Seat side cover inside | | |
| (10) Hinge inner cover LH | | |

Tightening torque: N·m (kgf·m, ft·lb)

T1: 6 (0.61, 4.43)

T2: 17.6 (1.79, 12.7)

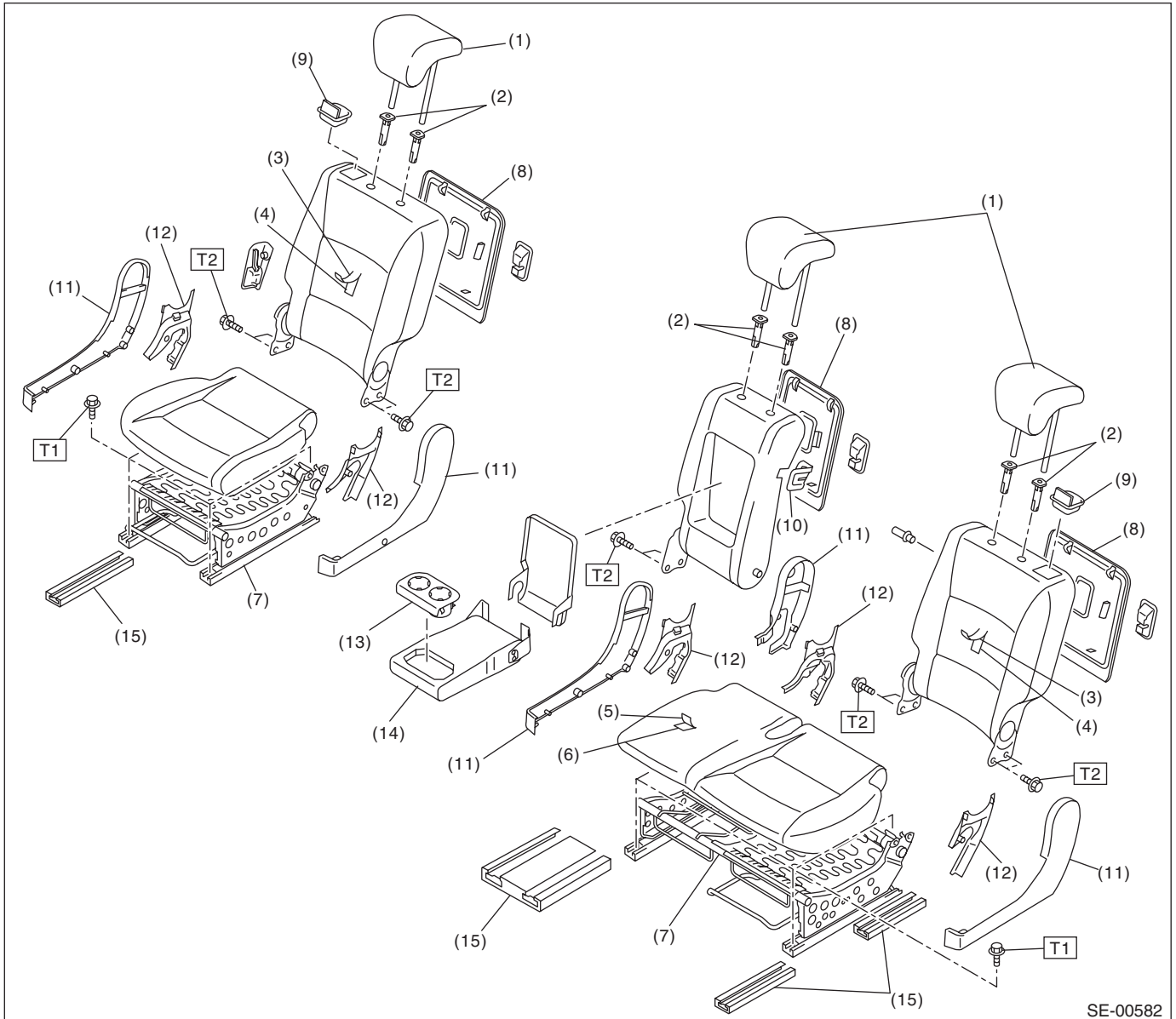
T3: 52 (5.30, 37.6)

T4: 53 (5.40, 38.3)

General Description

SEATS

3. SECOND-ROW SEATS



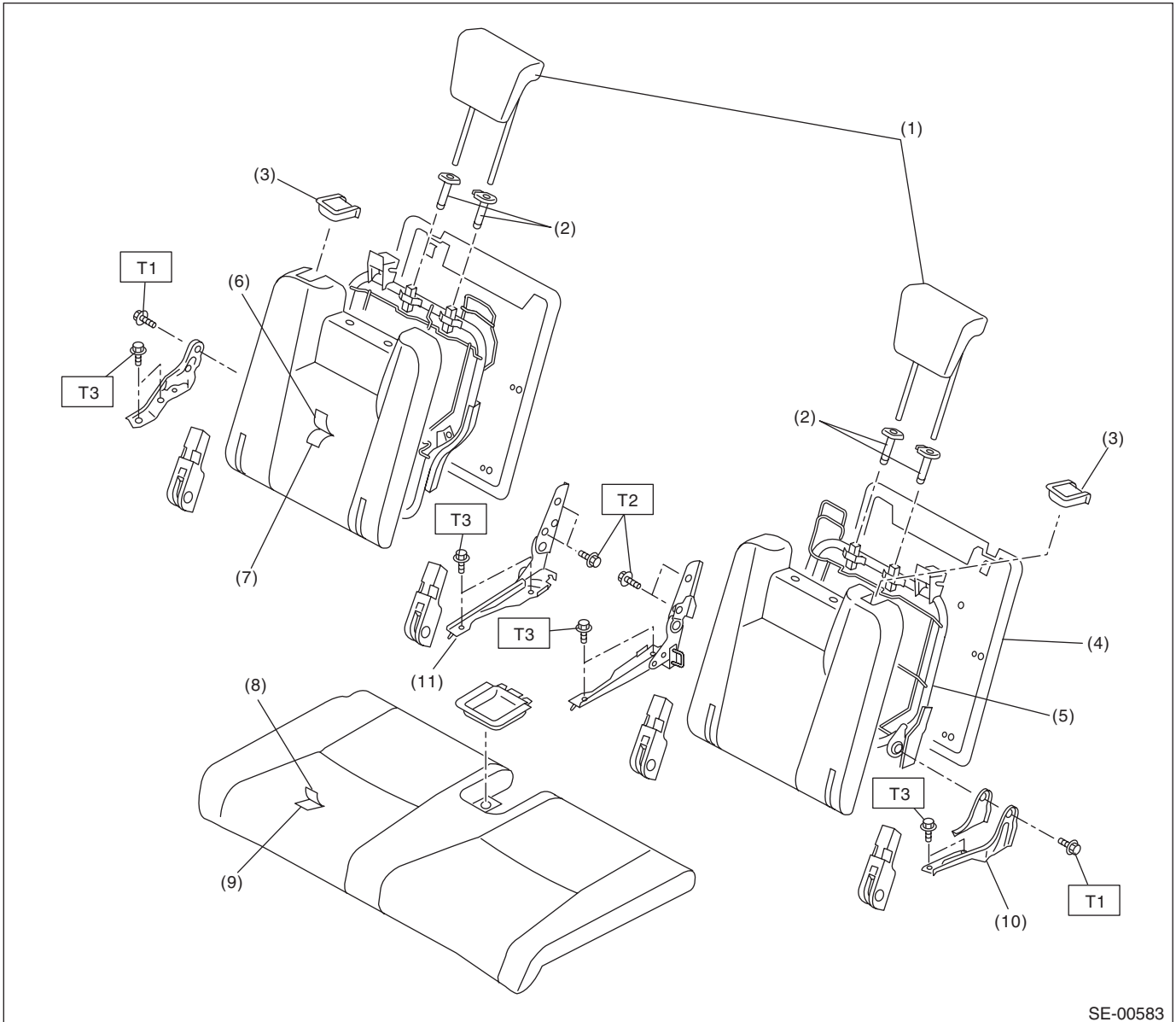
- | | | |
|---------------------------|--------------------------------|-----------------------|
| (1) Headrest | (8) Backrest back cover | (14) Armrest |
| (2) Headrest lock bushing | (9) Holder | (15) Slide rail cover |
| (3) Backrest cover | (10) Seat backrest latch cover | |
| (4) Backrest pad | (11) Hinge outer cover | |
| (5) Seat cushion cover | (12) Hinge inner cover | |
| (6) Seat cushion pad | (13) Cup holder | |
| (7) Slide rail ASSY | | |

Tightening torque: N-m (kgf-m, ft-lb)

T1: 40 (4.08, 28.9)

T2: 52 (5.30, 37.6)

4. THIRD-ROW SEATS



SE-00583

- | | |
|---------------------------|------------------------|
| (1) Headrest | (7) Backrest pad |
| (2) Headrest lock bushing | (8) Seat cushion cover |
| (3) Hinge lever ASSY | (9) Seat cushion pad |
| (4) Backrest back cover | (10) Hinge plate |
| (5) Backrest frame | (11) Inner hinge ASSY |
| (6) Backrest cover | |

Tightening torque: N·m (kgf·m, ft·lb)

T1: 10 (1.01, 7.23)

T2: 52 (5.30, 37.6)

T3: 53 (5.40, 38.3)

General Description

SEATS

B: CAUTION

- If the seat cushion cover is removed or replaced, make sure to perform passenger detection system adjustment after installing the seat to the vehicle. <Ref. to OD(diag)-17, SYSTEM CALIBRATION (REZEROING), OPERATION, Subaru Select Monitor.>

Failure to do so may cause improper operation of the passenger detection system.

- The passenger detection system (passenger seat only) control unit and the passenger detection sensor are fixed to the seat cushion frame. Never remove the passenger detection control unit or the pressure sensor from the seat cushion frame.

- Do not replace the seat cushion pad by itself. Always replace the seat cushion pad and frame assembly as a set. The seat cushion pad and cushion frame are adjusted as a set at the time of manufacture. If cushion pads and cushion frames are combined from those of other vehicles or other sets, the passenger detection system may not operate properly.

- If the seat cushion cover is removed, make sure to replace the wire on the seat cushion side with a new wire.

- When removing the front seat from a side airbag loaded vehicle, follow cautions given in the airbag section. <Ref. to AB-4, CAUTION, General Description.>

C: NOTE

When removing the front seat of memory-equipped power seats, always perform the initialize operation on the memory function after installing the seat to the vehicle. <Ref. to SE-34, ADJUSTMENT, Power Seat System.>

Failure to do so may cause the abnormal operation of the memory function.

D: PREPARATION TOOL

1. GENERAL TOOL

TOOL NAME	REMARKS
Long nose plier	Used for removing the hog ring.
Hog ring pliers	Used for installing the hog ring.
Circuit tester	Used for checking power seat and seat heater.
TORX® T50	Used for removing/installing inner seat belt assembly and removing/installing/disassembling second-row seats.